

1 RESTROOM ELEVATIONS
SCALE: 1/2" = 1'-0"

PROVIDE SOLID BLOCKING IN WALL BEHIND SINK, ALL ACCESSORIES, & GRAB BARS

ACCESSORY LEGEND
(NOTE: NOT ALL USED IN THIS RESTROOM)

GRAB BAR - 18" X 1 1/2" DIA.
BOBRICK, OR EQUAL
A B-6806.99X18

GRAB BAR - 36" X 1 1/2" DIA.
BOBRICK, OR EQUAL
B B-6806.99X36

GRAB BAR - 42" X 1 1/2" DIA.
BOBRICK, OR EQUAL
C B-6806.99X42

GRAB BAR - 30 1/2" W X 19 1/2" D X 1 1/2" DIA.
BOBRICK, OR EQUAL
D B-6806.193

MULTI-ROLL TOILET TISSUE DISPENSER - CONTURA SERIES
SURFACE MOUNTED BOBRICK, OR EQUAL
E B-4288

SANITARY NAPKIN DISPOSAL - CONTURA SERIES SURFACE MOUNTED
BOBRICK, OR EQUAL (WOMEN'S RESTROOM ONLY)
F B-270

MIRROR - PARIS, GALAXY EDGE LIT MIRROR 24"X36",
6000K DAYLIGHT COLOR (OR EQUAL)
G

MIRROR - PARIS, GALAXY EDGE LIT MIRROR 40"X85",
6000K DAYLIGHT COLOR (OR EQUAL)
H

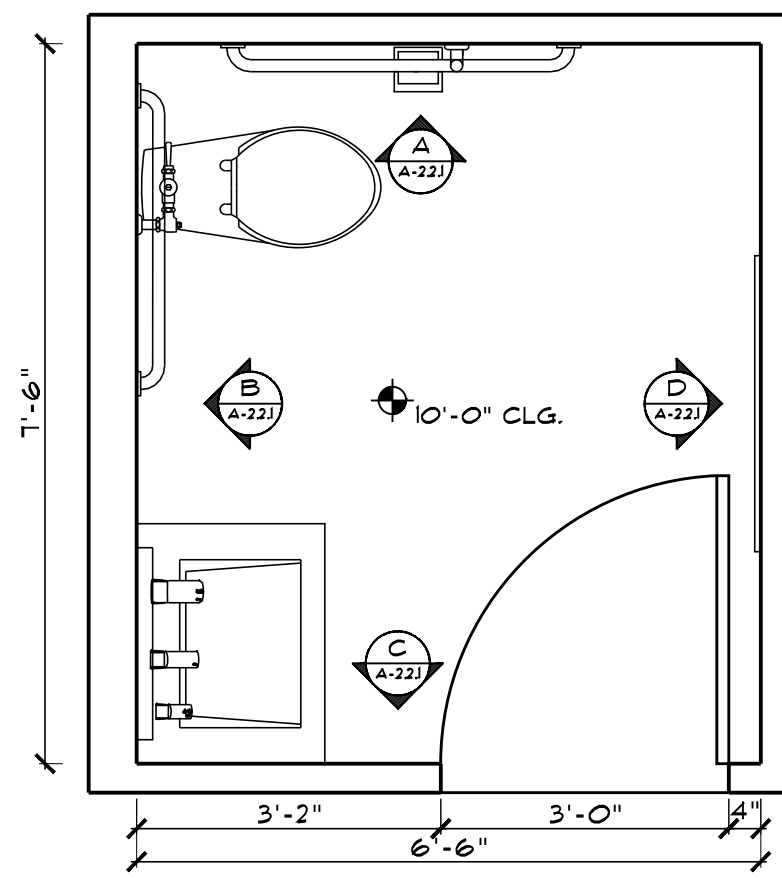
HORIZONTAL RECESSED MOUNTED BABY CHANGING STATION
BOBRICK KOALA MODEL, OR EQUAL
I KB10-68RE

STALL PARTITION
BOBRICK METRO SERIES, OR EQUAL
J B5164, FLOOR ANCHORED, HIGH PRESSURE LAMINATE, WILSONART WILSONART
4886-38 FINE VELVET FINISH, STANDARD CONCEALED STAINLESS STEEL HARDWARE

URINAL PARTITION
BOBRICK METRO SERIES, OR EQUAL
K B5564, 48" WALL HUNG, HIGH PRESSURE LAMINATE, WILSONART 4886-38 FINE
VELVET FINISH, STANDARD CONCEALED STAINLESS STEEL HARDWARE

SINK - SLOAN AER-DEC INTEGRATED SINK SYSTEM (OR SIMILAR)
L B-210

SINK - SLOAN AER-DEC INTEGRATED SINK SYSTEM (OR SIMILAR)
M STANDARD 30", 3 BASIN, STANDARD MOUNTING, HARD WIRED, STANDARD 55,
FAUCETS, STRAIGHT EDGE, CORIAN GLACIER WHITE COUNTER AND BASIN



2 RESTROOM PLAN #101
SCALE: 1/2" = 1'-0"

3 WALL A - TILING LAYOUT
SCALE: 1/2" = 1'-0"

- FINISH W3 - NEMO TILE, BROOKLYN (PORCELAIN) COLLECTION, DUMBO (BLACK), FULL COVERAGE (4"X12"X3/8")
- FINISH W4 - NEMO TILE, GRAMERCY (PORCELAIN) COLLECTION - DECOR MIX BIANCO (5.9"X6.1"X0.314") HEXAGON, 11 VARIOUS GRAPHICS COME PREMIXED IN BOXES, FULL RANDOM TILE FRONT BOX
- FINISH W5 - NEMO TILE, GRAMERCY (PORCELAIN) COLLECTION - BIANCO MATTE (WHITE) 5.9"X6.1" HEXAGON

GROUT - BOSTIK HYDROMENT DRY TILE GROUT, H144 (MISTY GREY), SANDED, 1/8" BETWEEN TILES & AROUND PERIMETER TYP

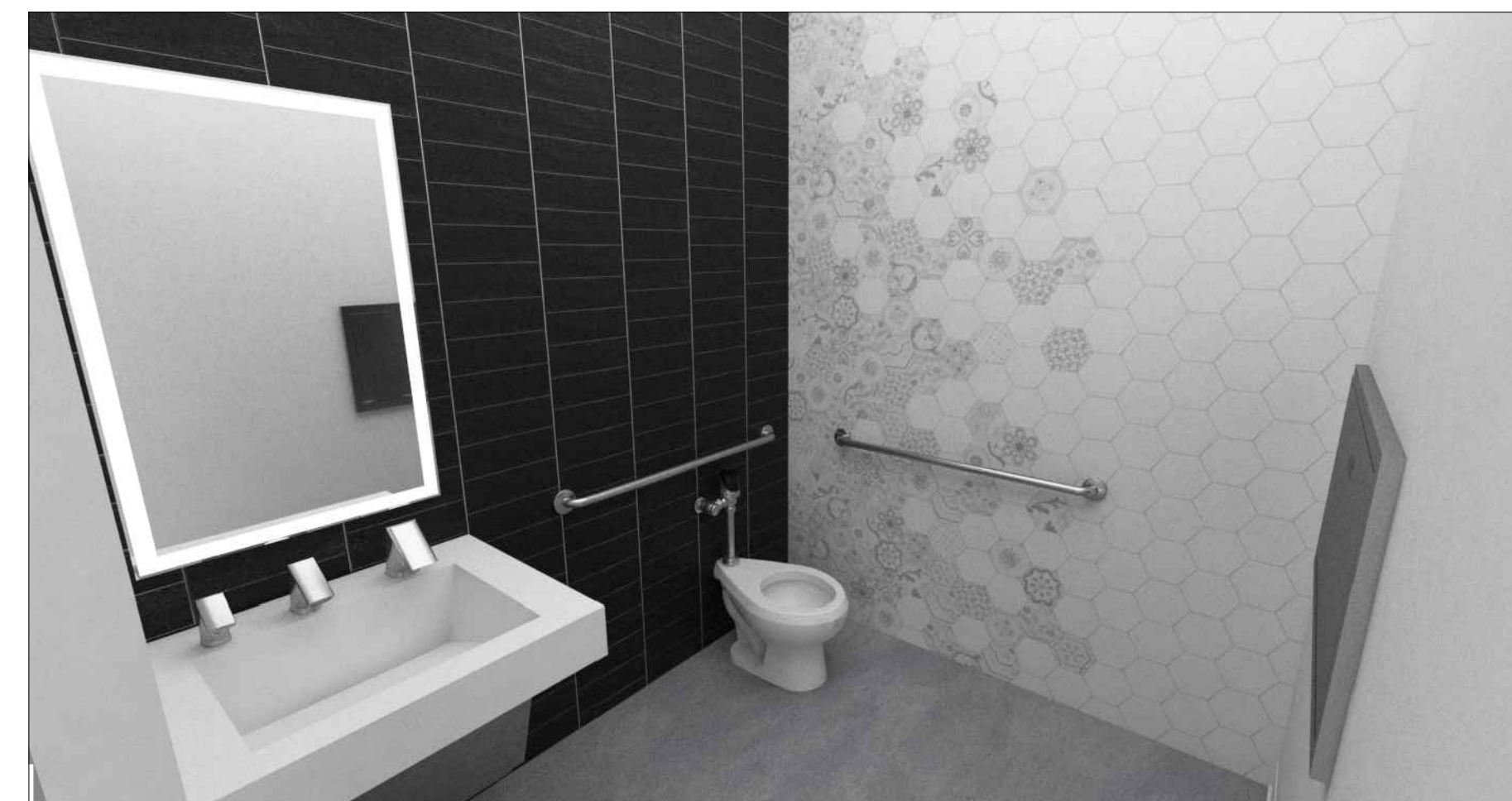
REMAINING RESTROOM WALLS FINISHED WITH W6 PAINT, B2 BASE, AND SCHLUTER - DILEX-AHKA, T566, STONE GRAY COLOR, SIZE APPROPRIATE TO TILE THICKNESS

4 WALL B - TILING LAYOUT
SCALE: 1/2" = 1'-0"

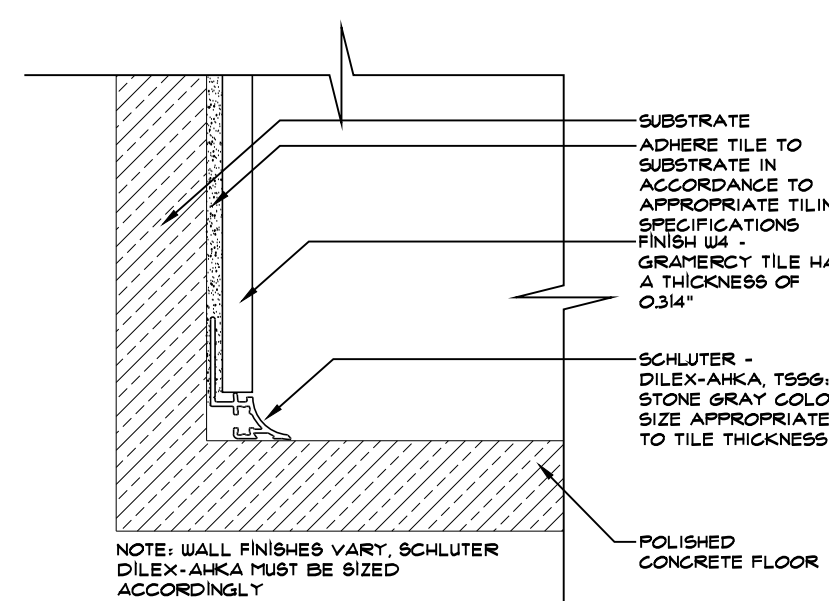
1a FIRST TILE - ALIGN SUBSEQUENT TILES AS SHOWN

1b OFFSET EACH SUBSEQUENT STACKED COLUMN 2", ALIGNING HORIZONTAL GROUT LINES TO CENTER TILES AS SHOWN

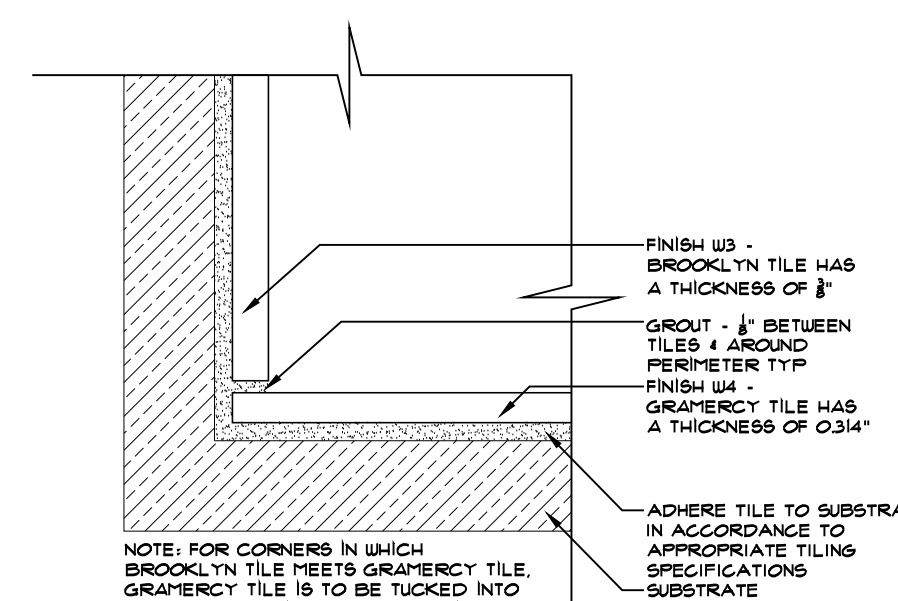
1c FIRST TILE - VERTICALLY STACK TILES



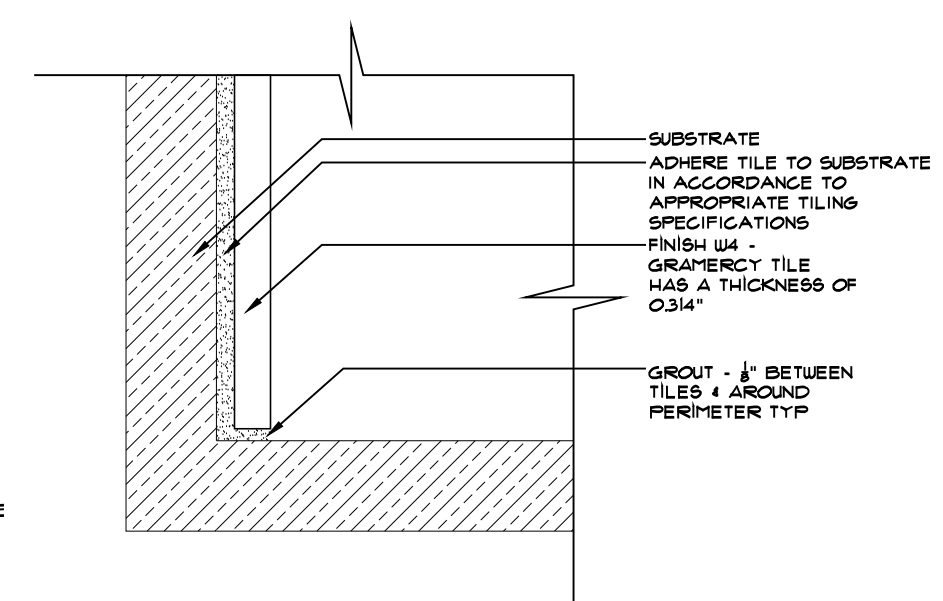
5 RESTROOM VISUALIZATION
SCALE: NOT TO SCALE



a FLOOR CONNECTION DETAIL
TILE WALL TO POLISHED CONCRETE FLOOR



e INNER CORNER CONNECTION DETAIL
TILE WALL TO TILE WALL



f INNER CORNER CONNECTION DETAIL
TILE WALL TO PAINTED WALL

7 RESTROOM TILE DETAILS
SCALE: 6" = 1'-0"

date	revision