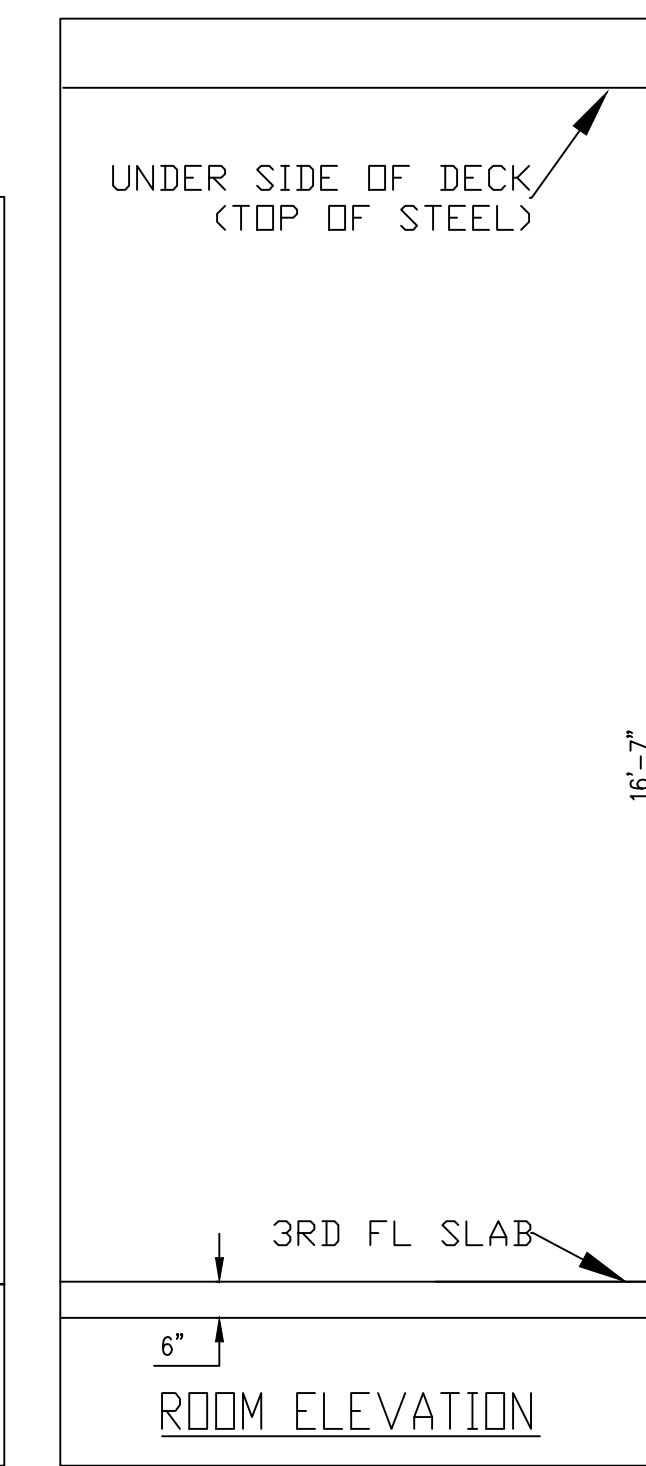
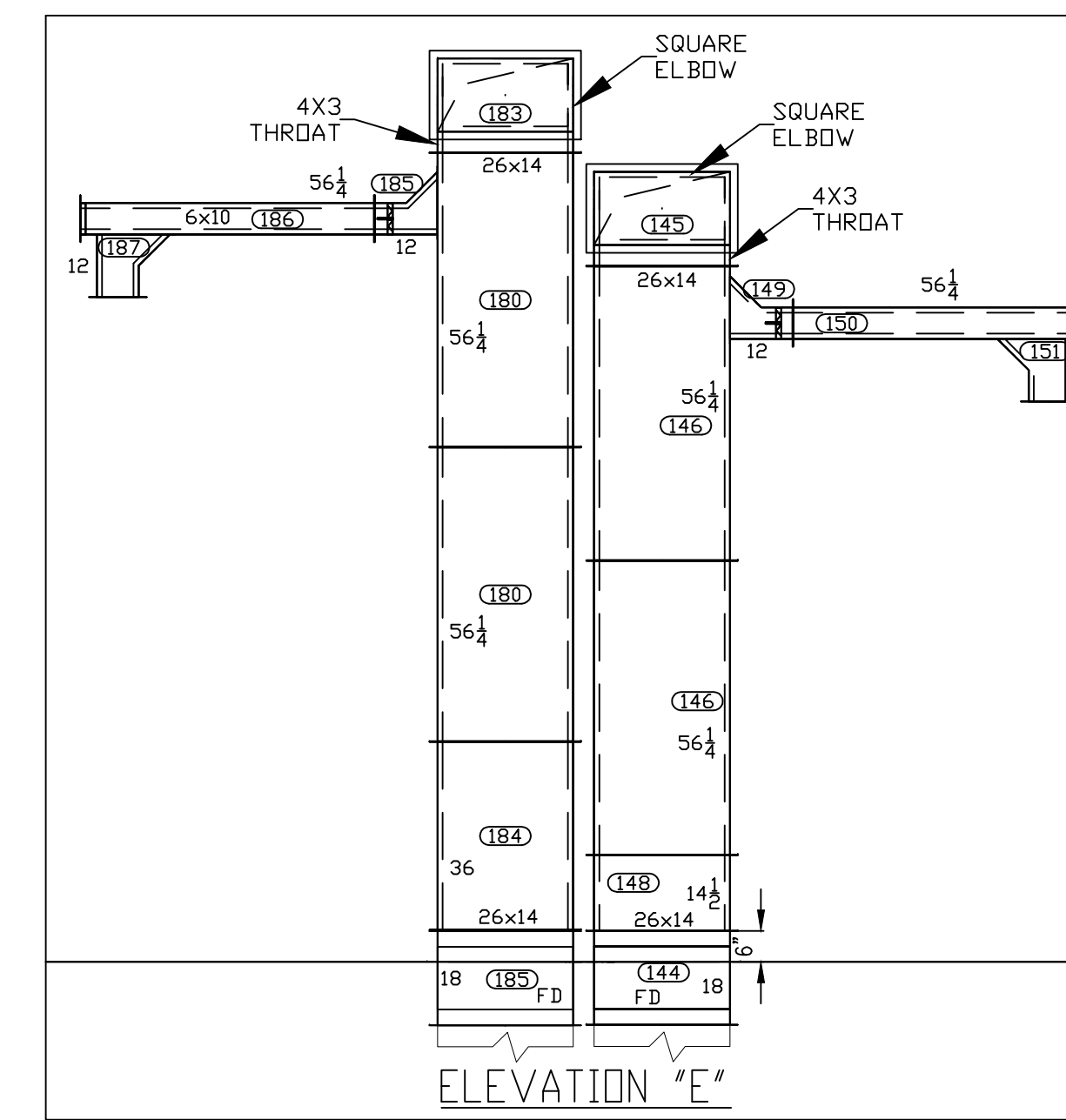
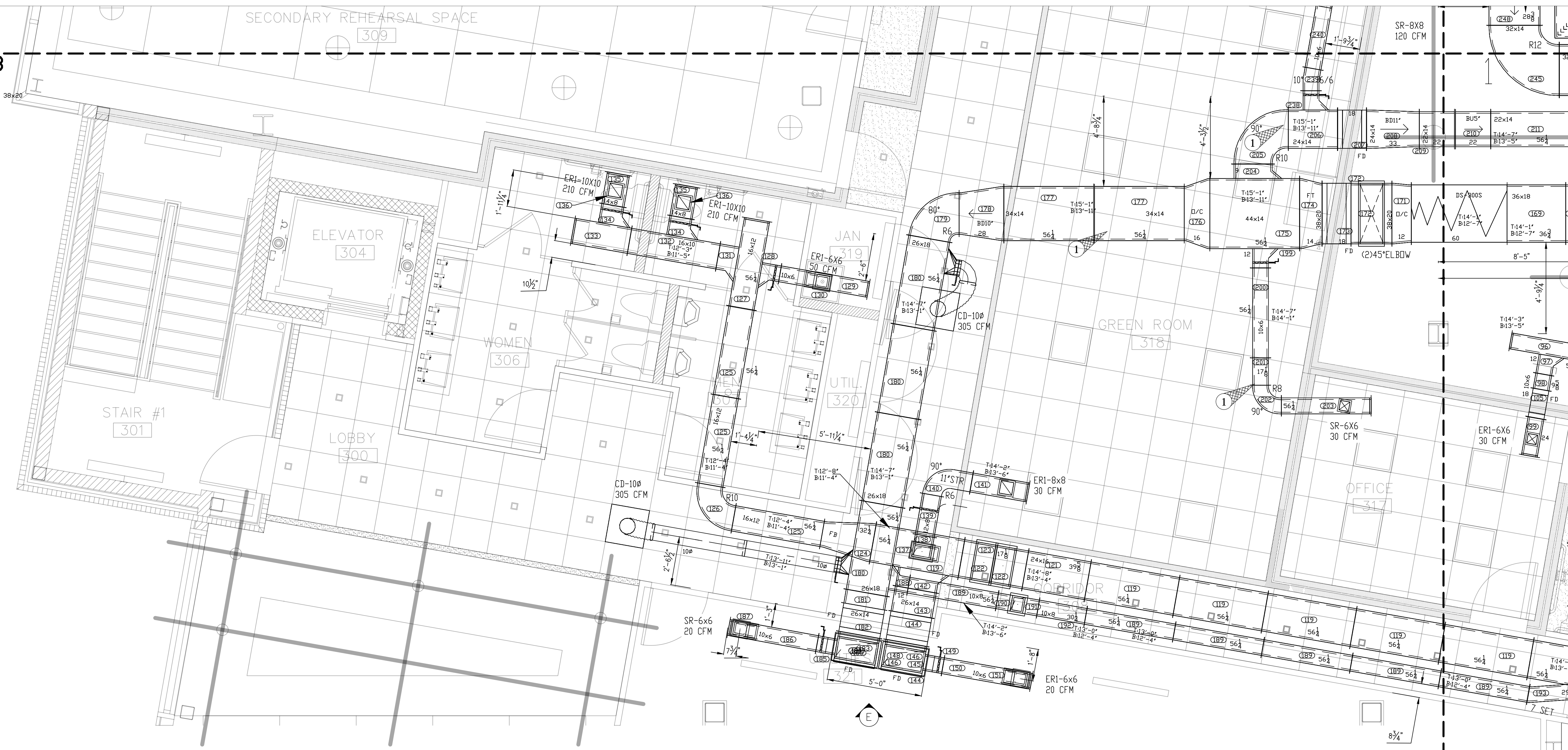


DWG 301  
 DWG 303



DWG 301  
 DWG 303

**AS BUILT**  
 11-5-2019

AS BUILT	11/5/19
No. REVISION	DATE
<b>RICHARD SHEET METAL, INC.</b>	
COMMERCIAL & INDUSTRIAL CONTRACTOR 93 HARRISON STREET PATERSON, NJ 07501	
PHONE# (862) 239-1820	FAX# (862) 239-1821
<b>TWO RIVER THEATER COMPANY</b> NEW BUILDING	
LOCATION: 21 BRIDGE AVE. RED BANK, NEW JERSEY	
TITLE: <b>3RD FLOOR DUCT LAYOUT</b> <b>HVAC PLAN</b>	
DRAWN BY: CHARLES C.	DATE: 8/28/18
SCALE: 3/8" = 1'-0"	MECH. DWG: M2.2
PROJECT:	DWG No:
CHK'D BY: RL	RSM-1224-303