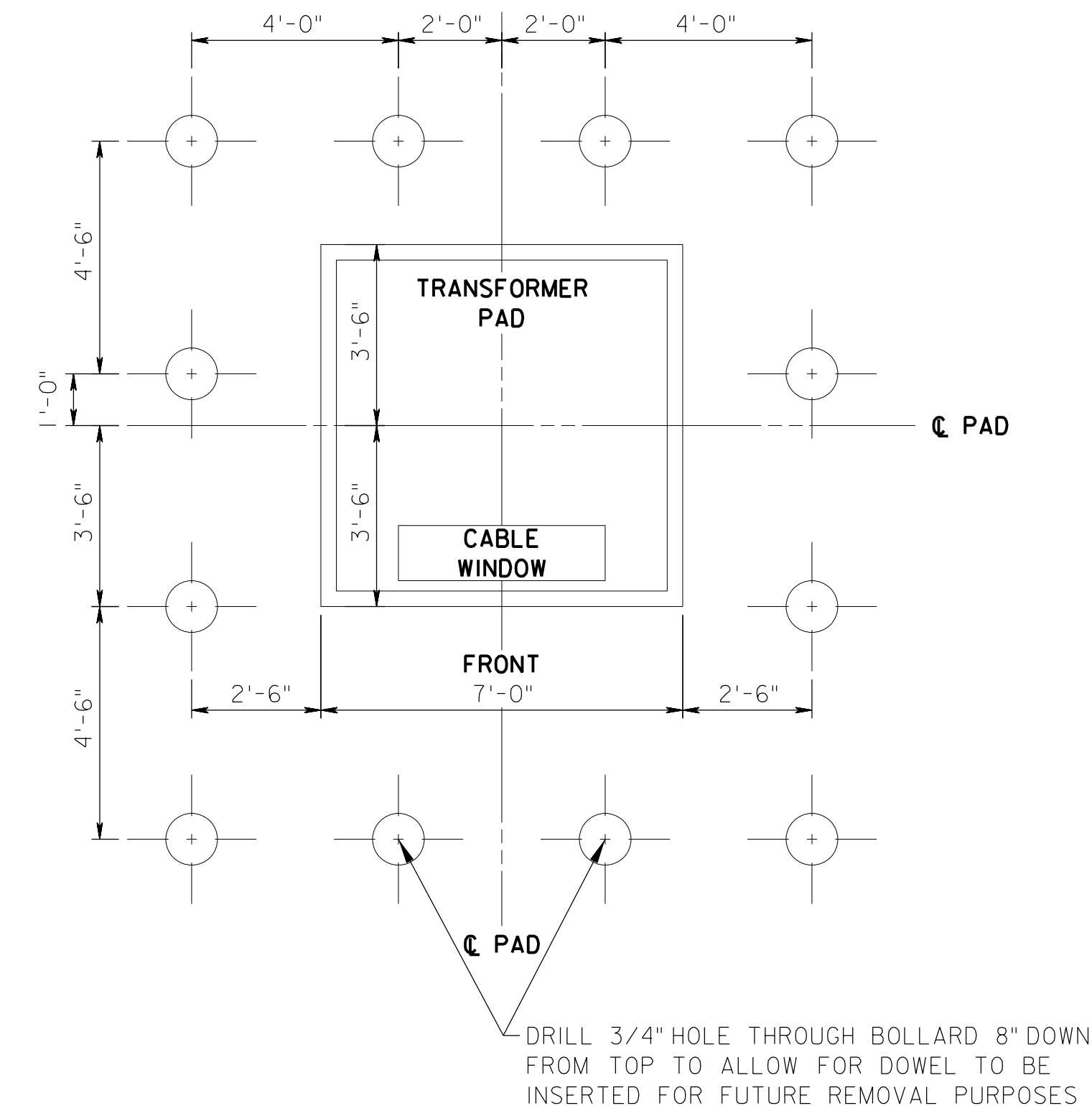


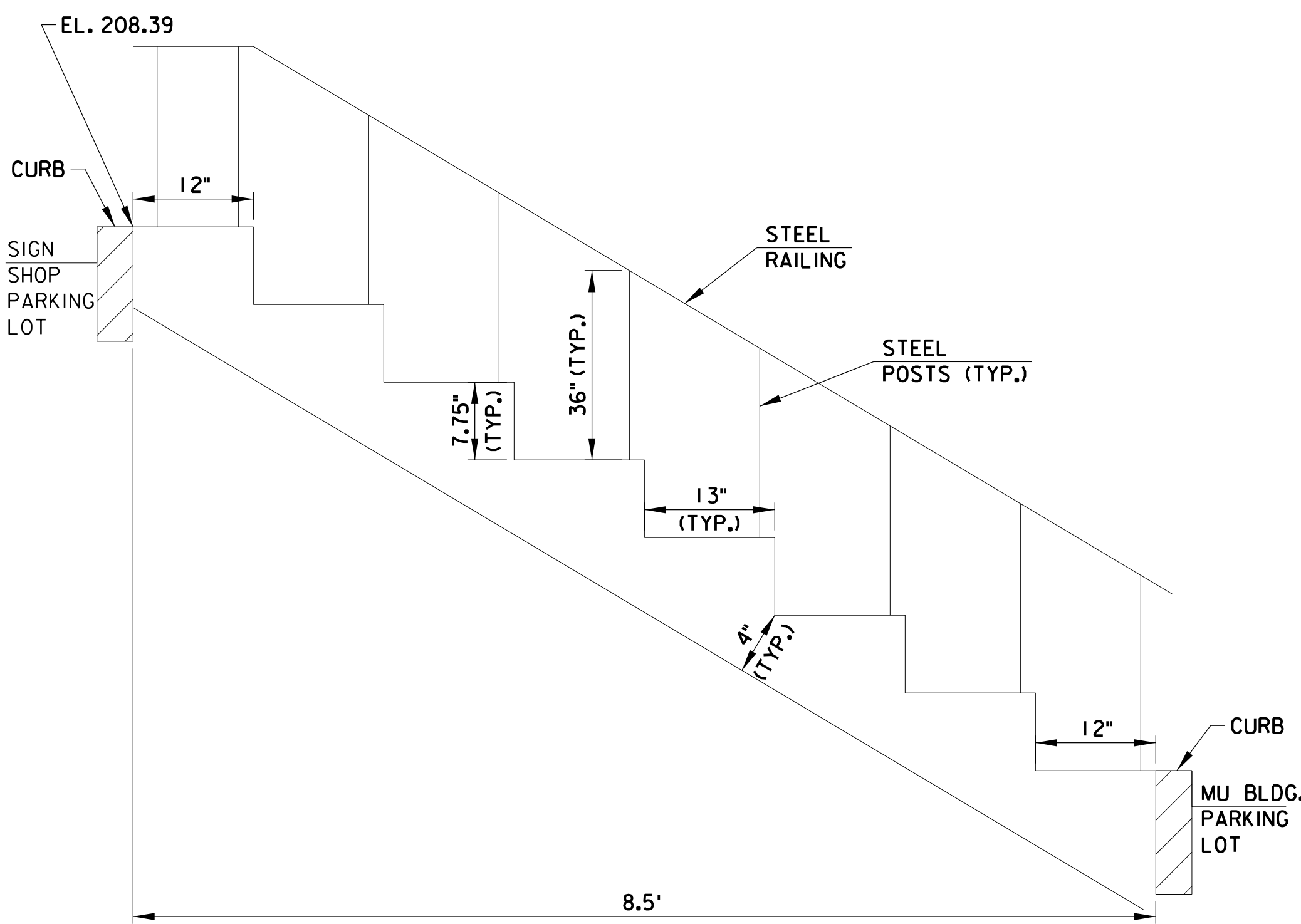
EXCAVATION DETAIL

N.T.S.



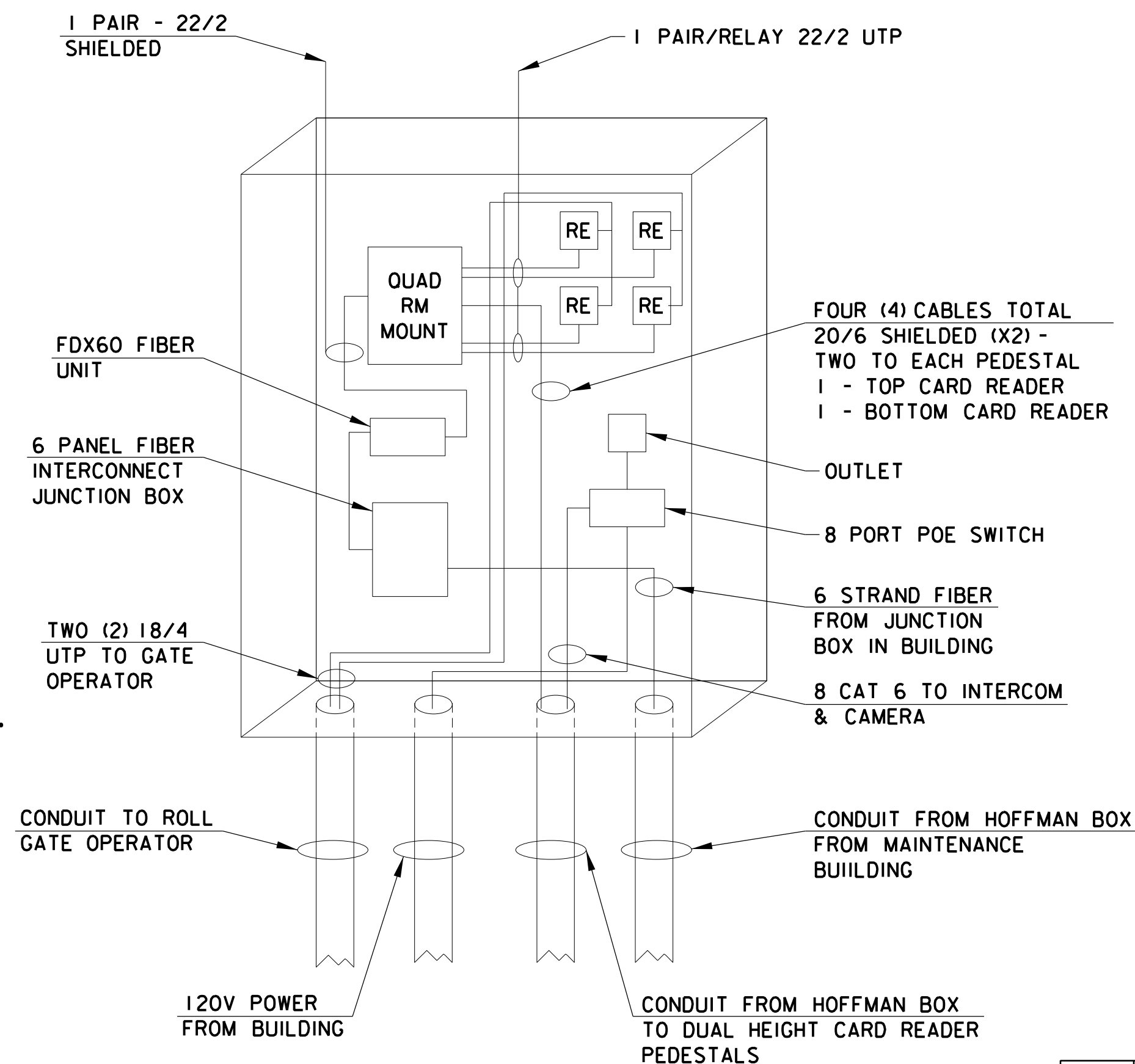
TRANSFORMER PAD LAYOUT

N.T.S.



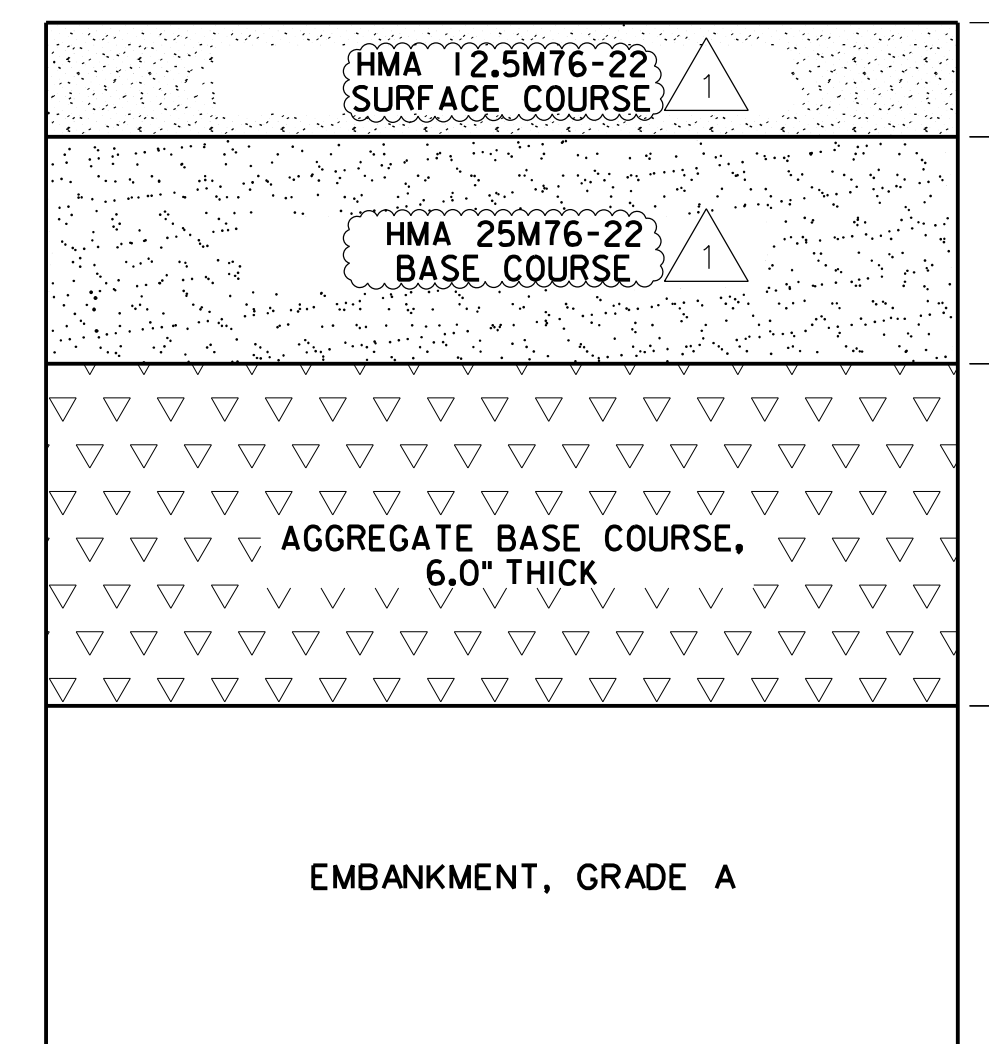
CONCRETE STAIR DETAIL

N.T.S.



CONTROL BOX

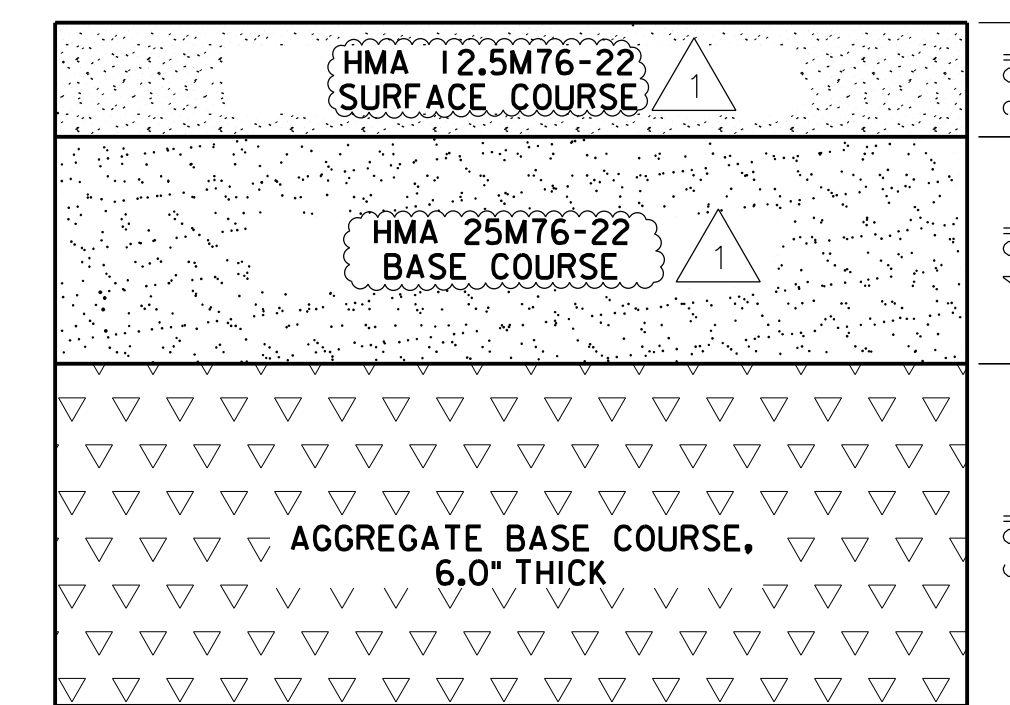
N.T.S.



TYPICAL PAVEMENT SECTION CATEGORY 2

(MAINTENANCE VEHICLES)

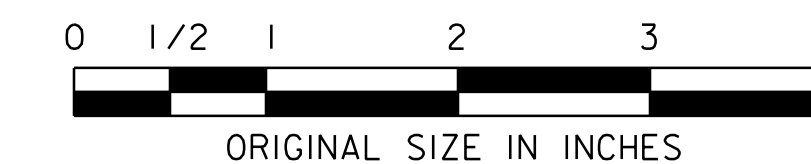
N.T.S.



TYPICAL PAVEMENT SECTION CATEGORY 1

(PARKING FOR CARS, SUVS & VANS)

N.T.S.



ORIGINAL SIZE IN INCHES

	BY	DATE
DESIGNED BY:	MS	2/2015
DRAWN BY:	MS	2/2015
CHECKED BY:	JSL	2/2015
SUPERVISOR:	JSL	

REV.	DESCRIPTION	DATE	BY	CHK.
△	ADDENDUM NO.1	05/19/15	JAZ	AP

NEW JERSEY TURNPIKE AUTHORITY
GARDEN STATE PARKWAY
 CONTRACT NO. P500.360 - FACILITIES IMPROVEMENT PROGRAM
 PMD5 (TELEGRAPH HILL) MP 116, PMD6 (CLARK) MP 136.7,
 PMD7 (CLIFTON) MP 156.1 AND PMD8 (PARAMUS) MP 164.2

PMD5 (TELEGRAPH HILL)
 CONSTRUCTION DETAILS - 2

T.Y. LIN INTERNATIONAL
 3379 QUAKERBRIDGE ROAD, SUITE 200
 HAMILTON, NJ 08619
 CERTIFICATE OF AUTHORIZATION NO. 24GA27976000
 SCALE: AS SHOWN
 DATE: MAY 2015

JAMES S. LESTER
 NEW JERSEY PROFESSIONAL ENGINEER LICENSE NO. 24GE0346000

FILE NAME: P500_360_FD_0026.sht

CD-2
CD-8

26
679