

Noel S. Musial, A.I.A.

The Drawings, Specifications and other documents prepared by the Architect for this project are instruments of the Architect's service for use solely with respect to this project and the Architect shall be deemed the author of statutory and other reserved rights, including copyright. The owner shall be permitted to make copies, including reproducible copies, of the Architect's drawings, Specifications or other documents shall not be used by the Owner or others on other projects, for additions to this Project or for completion of this Project by others, unless the Architect agrees in writing and with appropriate compensation to the Architect.

Submission or distribution of documents to meet official regulatory requirements or for similar purposes in connection with the Project is not to be construed as publication in derogation of the Architect's reserved rights.

These drawings may not be reproduced by any means without the express written consent of the architect.

EACH CONTRACTOR SHALL THOROUGHLY EXAMINE AND BECOME FAMILIAR WITH ALL CONTRACT DOCUMENTS FOR THE PROJECT AND NOT LIMIT THEIR WORK TO DRAWINGS REFERENCED FOR INDIVIDUAL TRADES.

© Copyright 2016  
BUSINESS PROPRIETARY INFORMATION



**LESSNER FIRST FLOOR ADDITION & FIRST FLOOR & LOWER LEVEL REHABILITATION**  
Lessner Building  
Elizabeth Campus

12 West Jersey Street  
Elizabeth, NJ 07202

THE MUSIAL GROUP ARCHITECTURE

191 Mill Lane  
Mountainside, NJ 07092  
t. 908.232.2860  
f. 908.232.2845  
e. studio@themusialgroup.com

March 2016

Revision Number	Revision Description	Revision Date
△	ADDENDUM # 1	04/05/2016
△	ADDENDUM # 2	04/11/2016

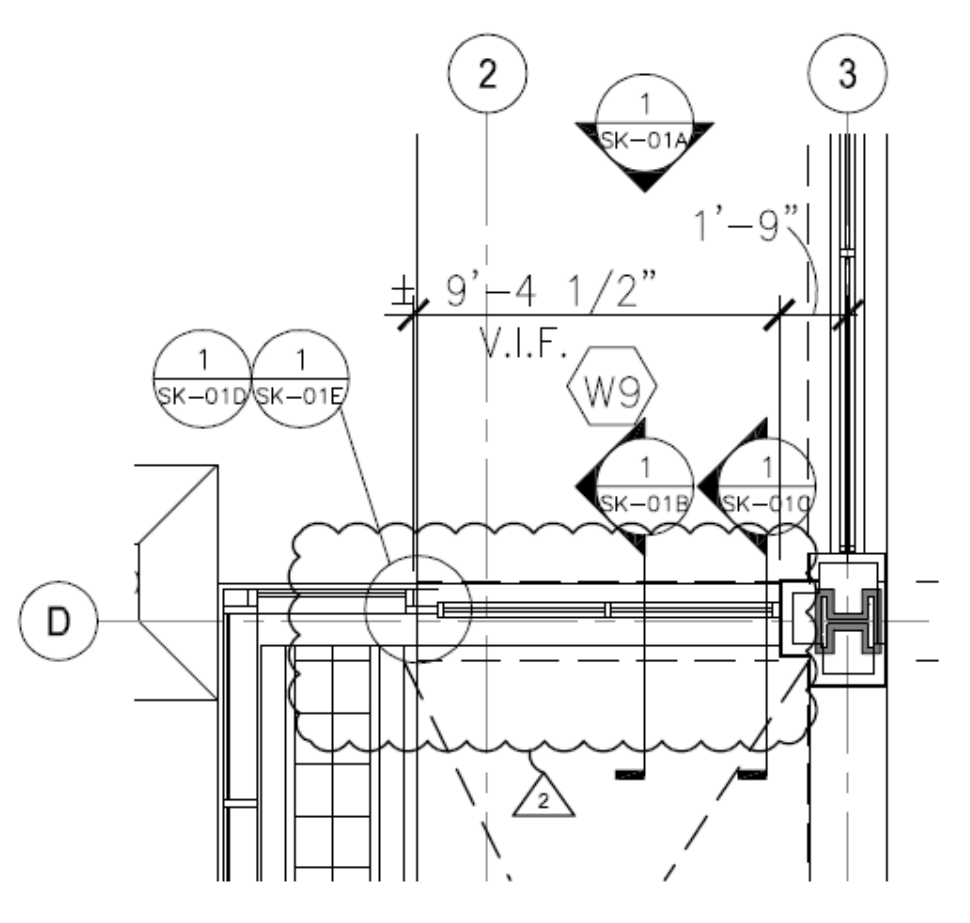
Scale: as noted  
Drawn by: AMB  
Checked by:

108813

WINDOW DETAILS

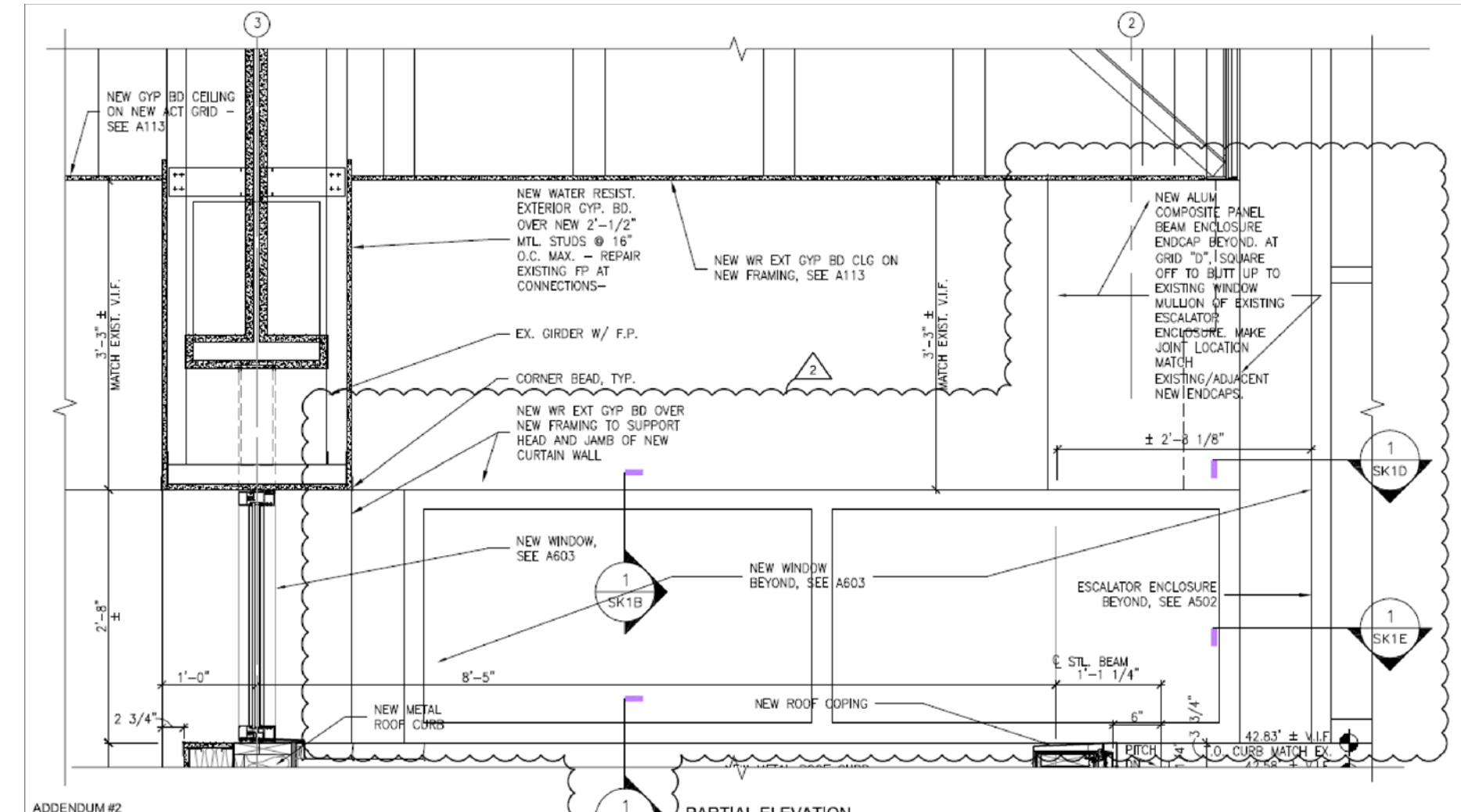
**A604**

NOTE: FOR WINDOW TYPE LOCATIONS REFER TO DRAWING A102 AND A103



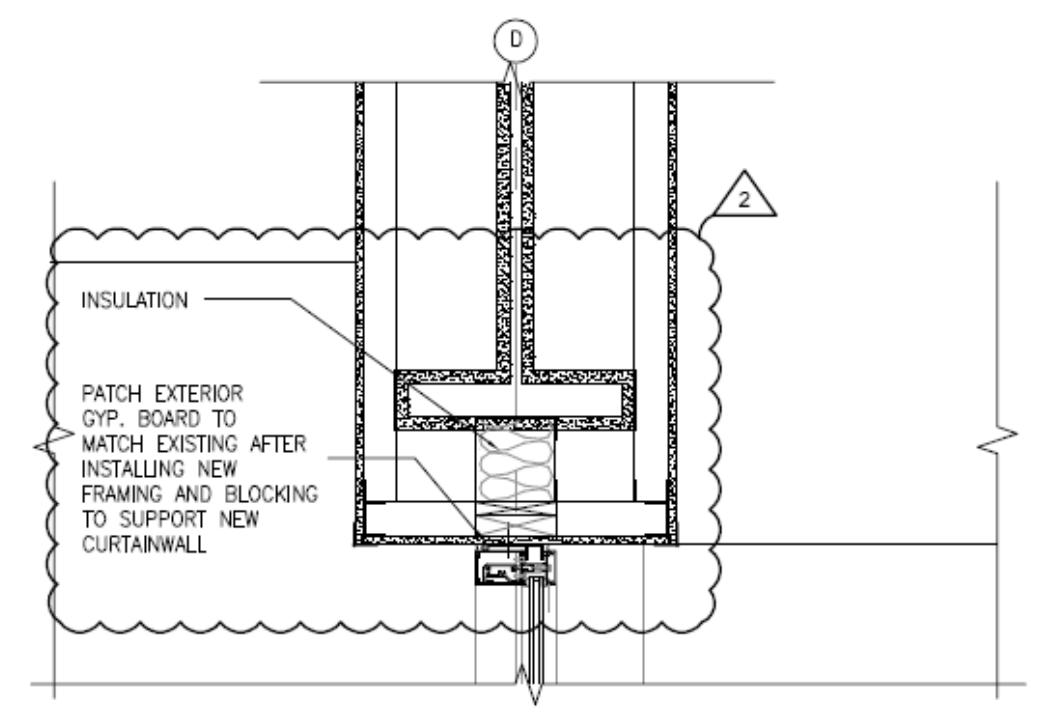
PARTIAL PLAN NEAR ESCALATOR ENCLOSURE  
SCALE: 1/4" = 1'-0"

SK1 A604 PARTIAL PLAN A103  
NTS

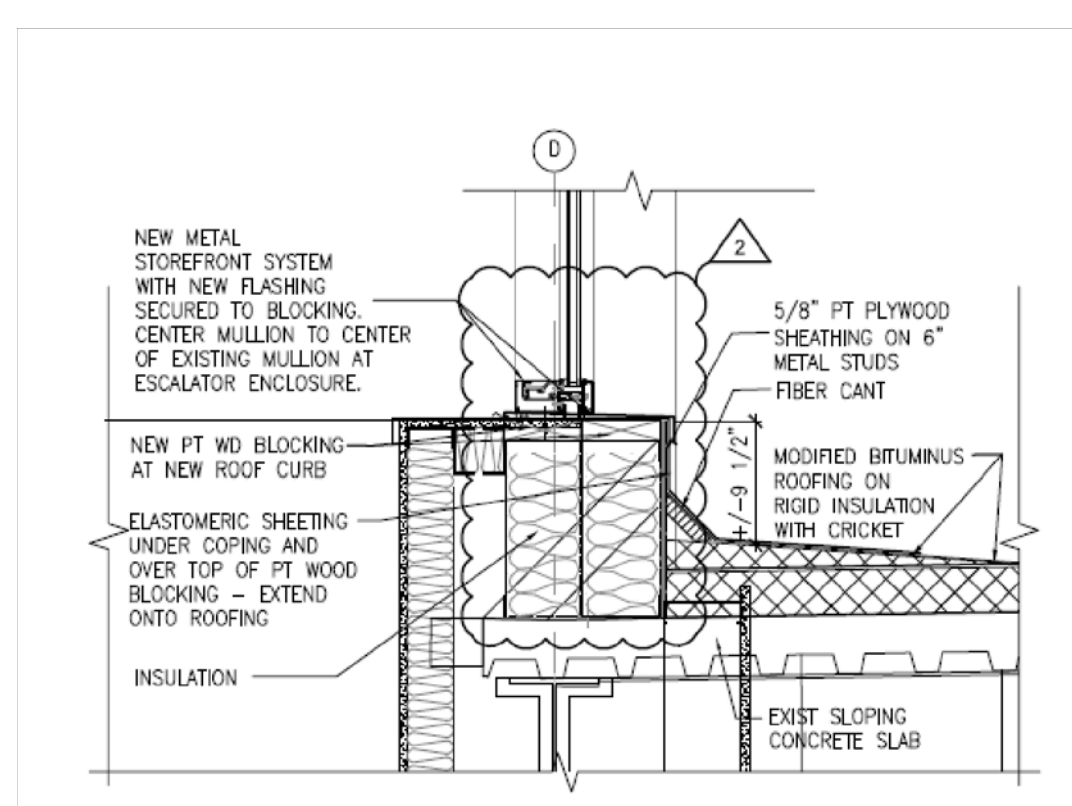


ADDENDUM #2  
UCC LESSNER BUILDING - ELIZABETH CAMPUS  
FIRST FLOOR & LOWER LEVEL RENOVATION  
TMS REF: A311

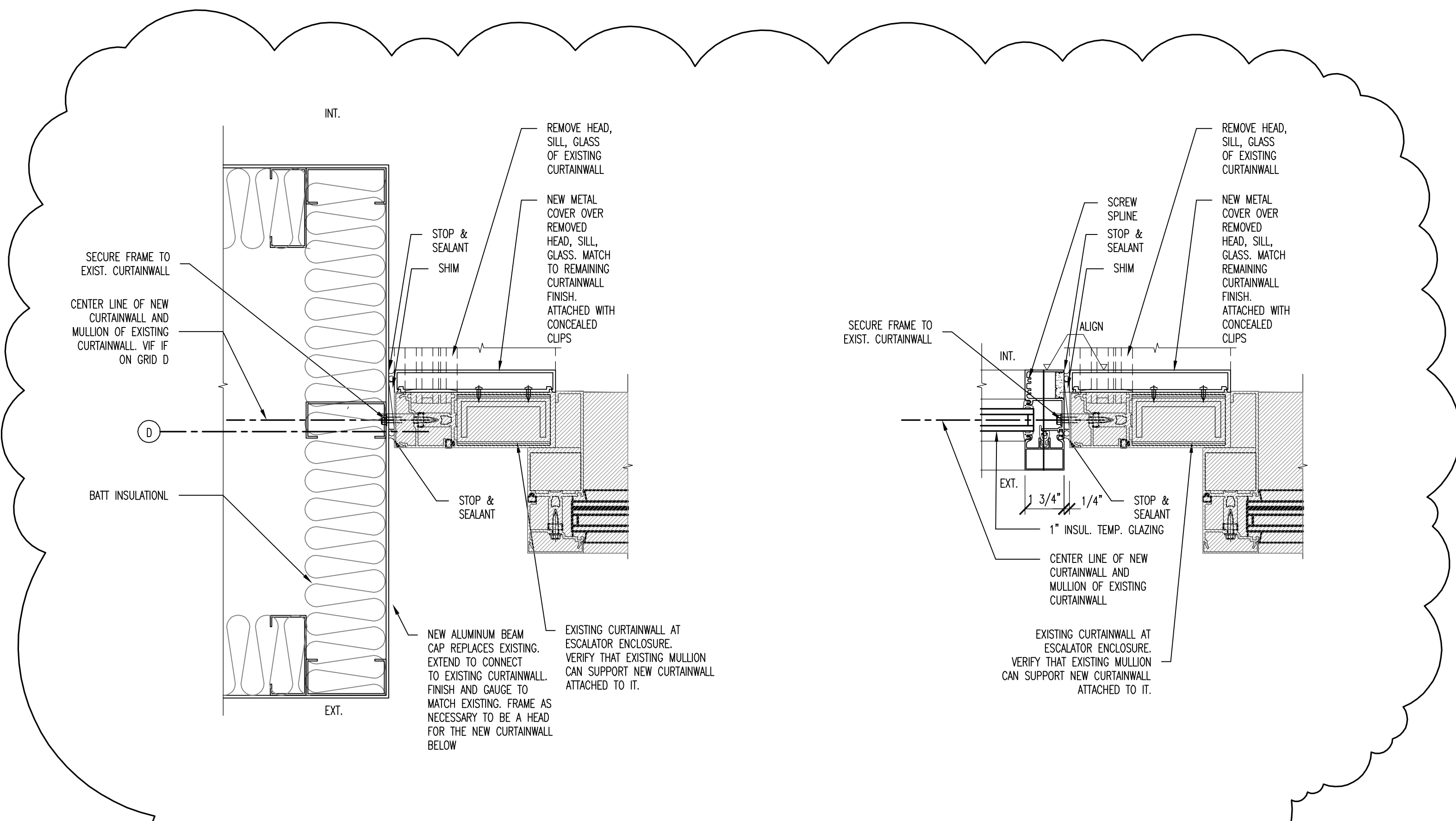
SK1A A604 PARTIAL ELEVATION  
NTS



SK1B A604 HEAD DETAIL  
NTS



SK1C A604 HEAD DETAIL  
NTS



SK01D A604 PLAN DETAIL  
3" = 1'-0"

SK01E A604 JAMB DETAIL  
3" = 1'-0"

ORIGINAL  
IF IT IS RED IT IS AN ORIGINAL

P:\1100-199\108813 UC College 1st Fl Lessner Building - DOCUMENT SET\108813-460-460.dwg, 10/11/2016 5:29:01 PM