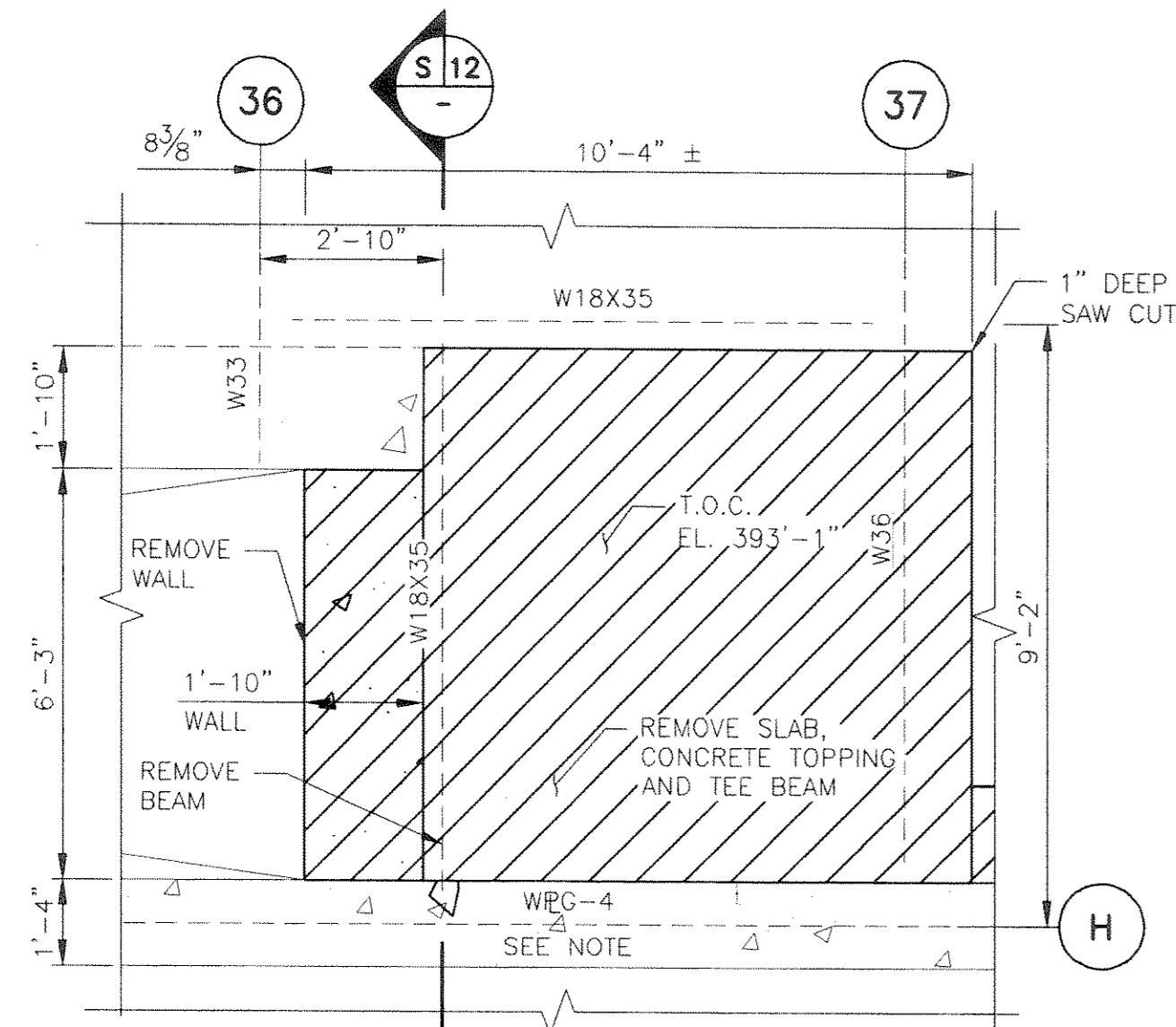


**PORT AUTHORITY**  
TRANS-HUDSON CORPORATION

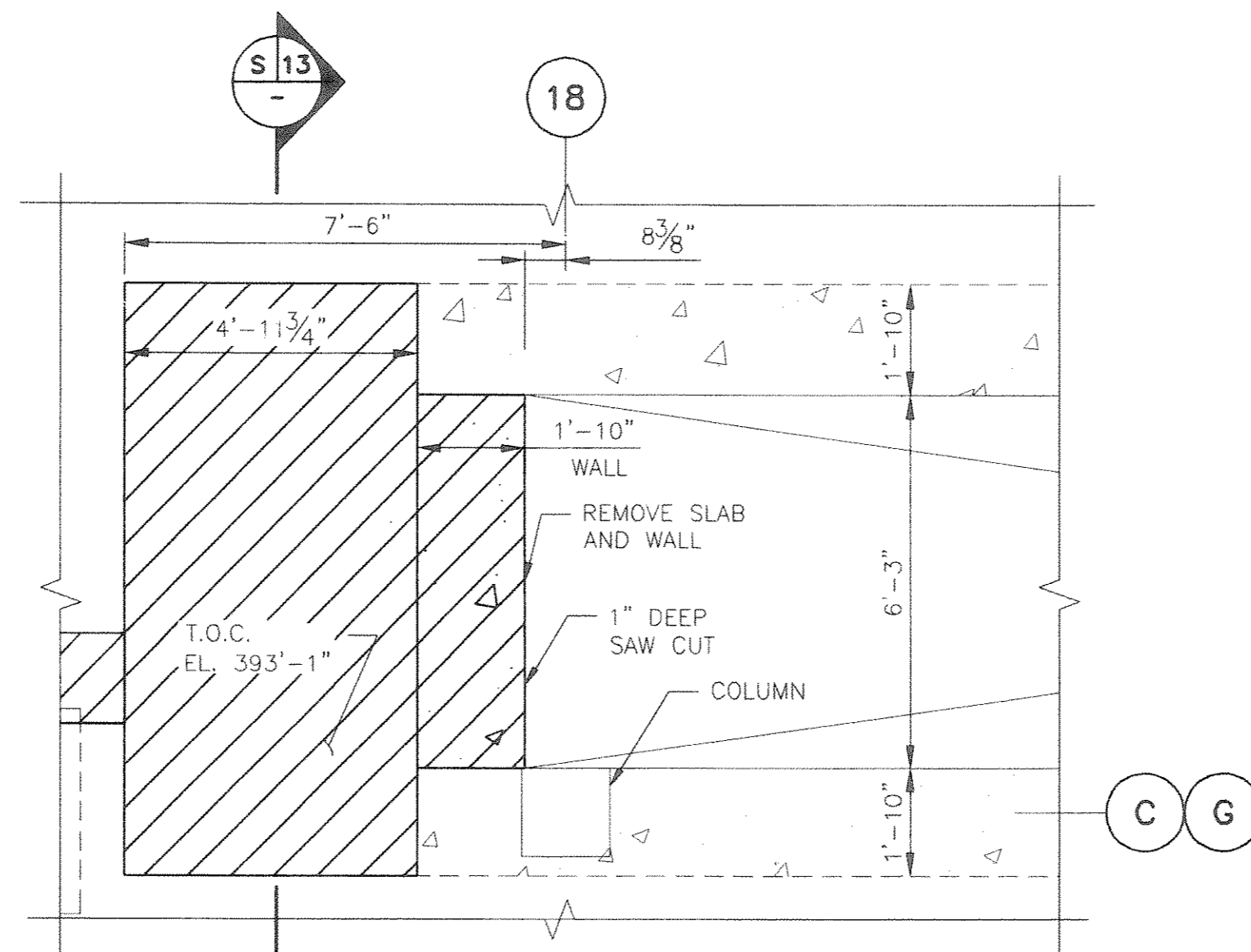
GANNETT FLEMING, P.C.  
ENGINEERS AND ARCHITECTS

*John D. Purdy*  
JOHN D. PURDY

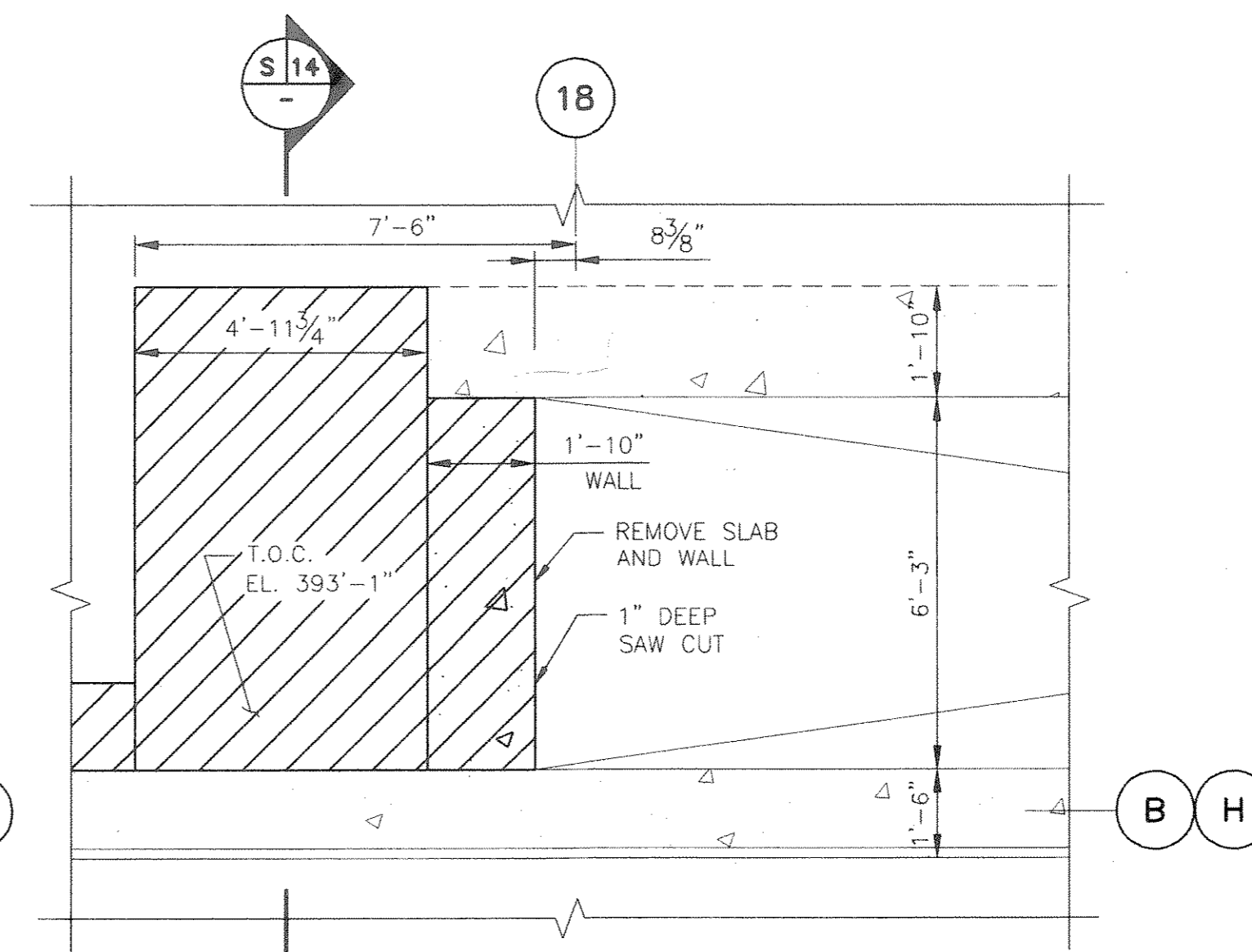
N.J. Professional Engineer # 246GE03967100



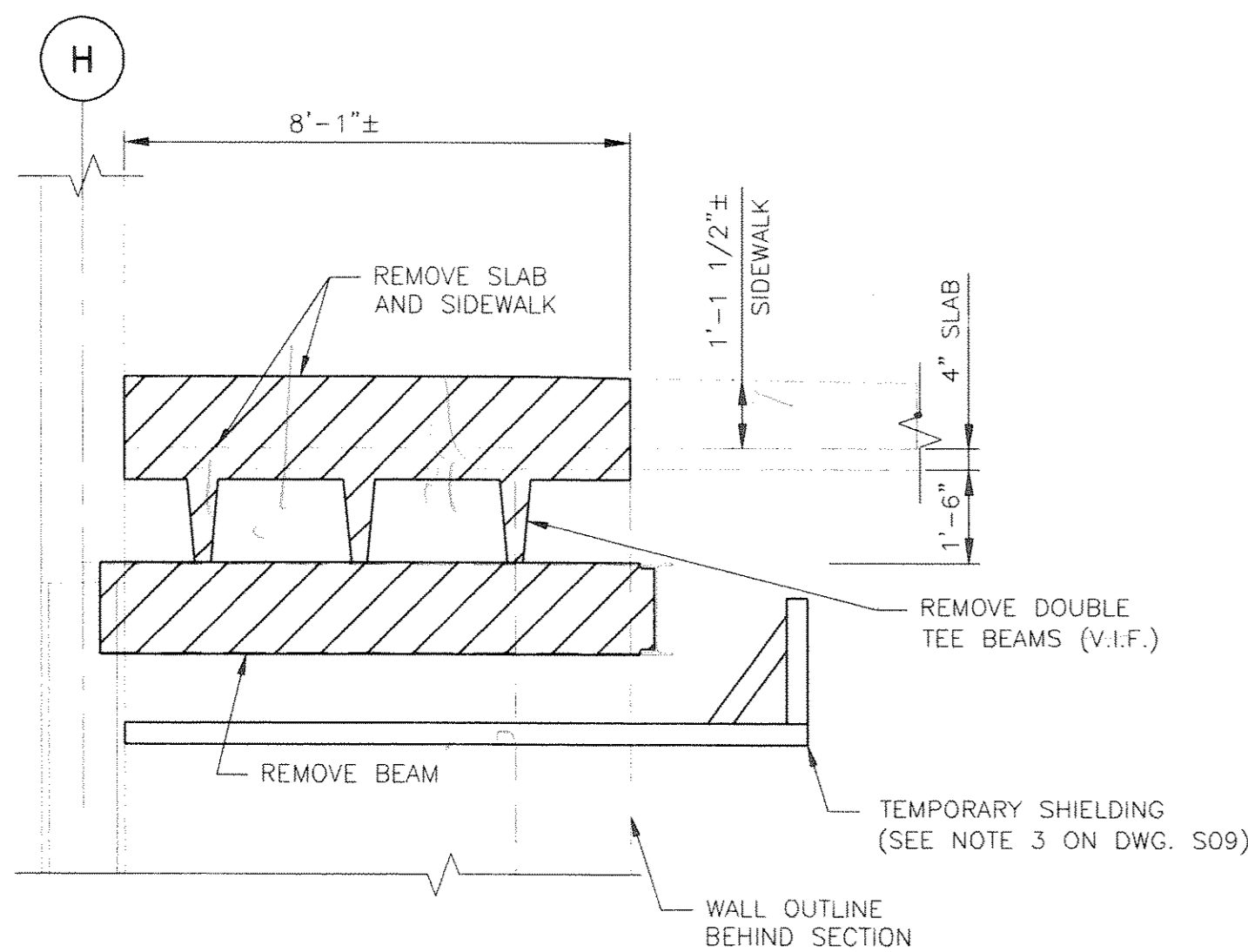
**D | 8** DETAIL: BUS LEVEL  
SCALE IN FEET



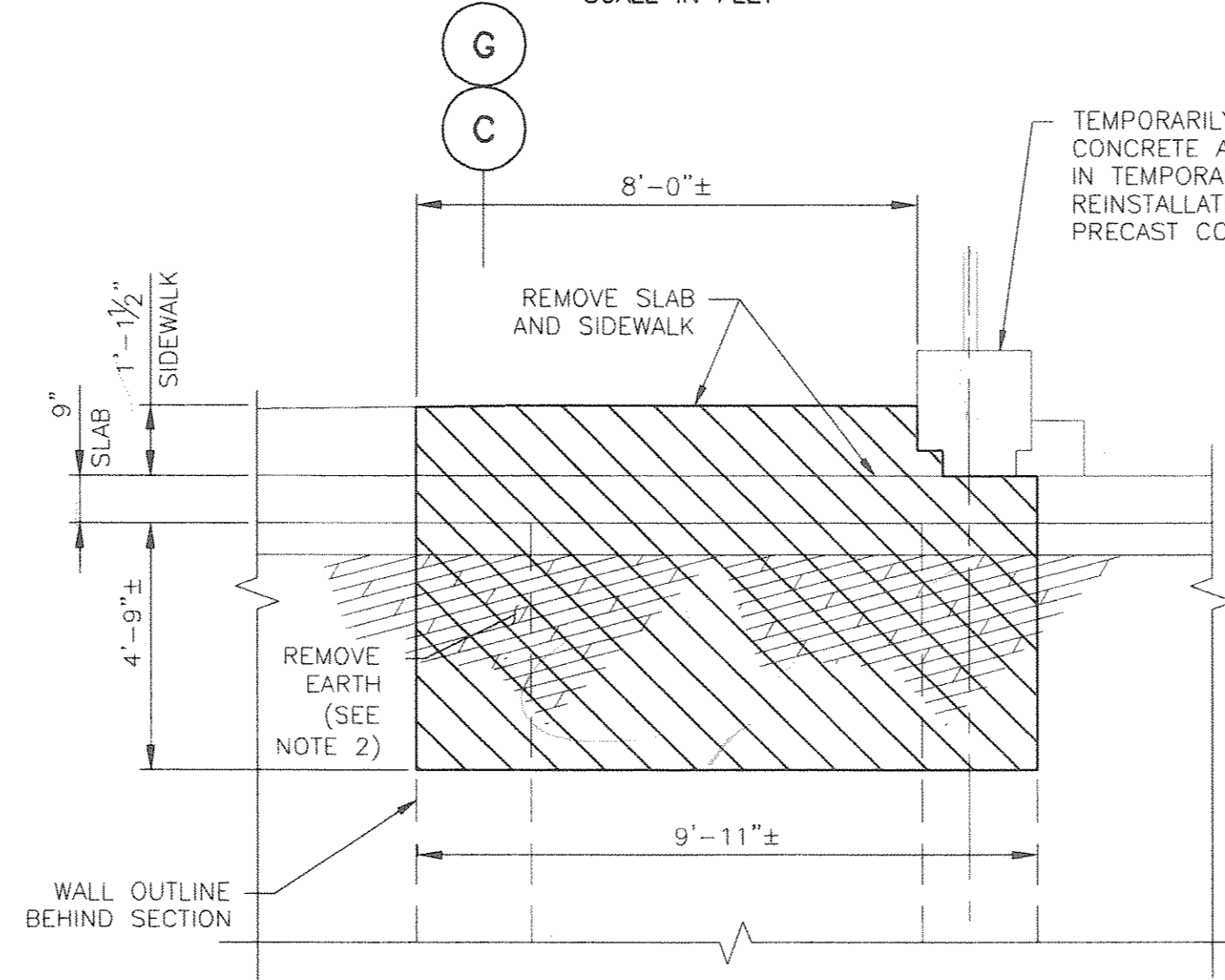
**D | 9** DETAIL: BUS LEVEL  
SCALE IN FEET



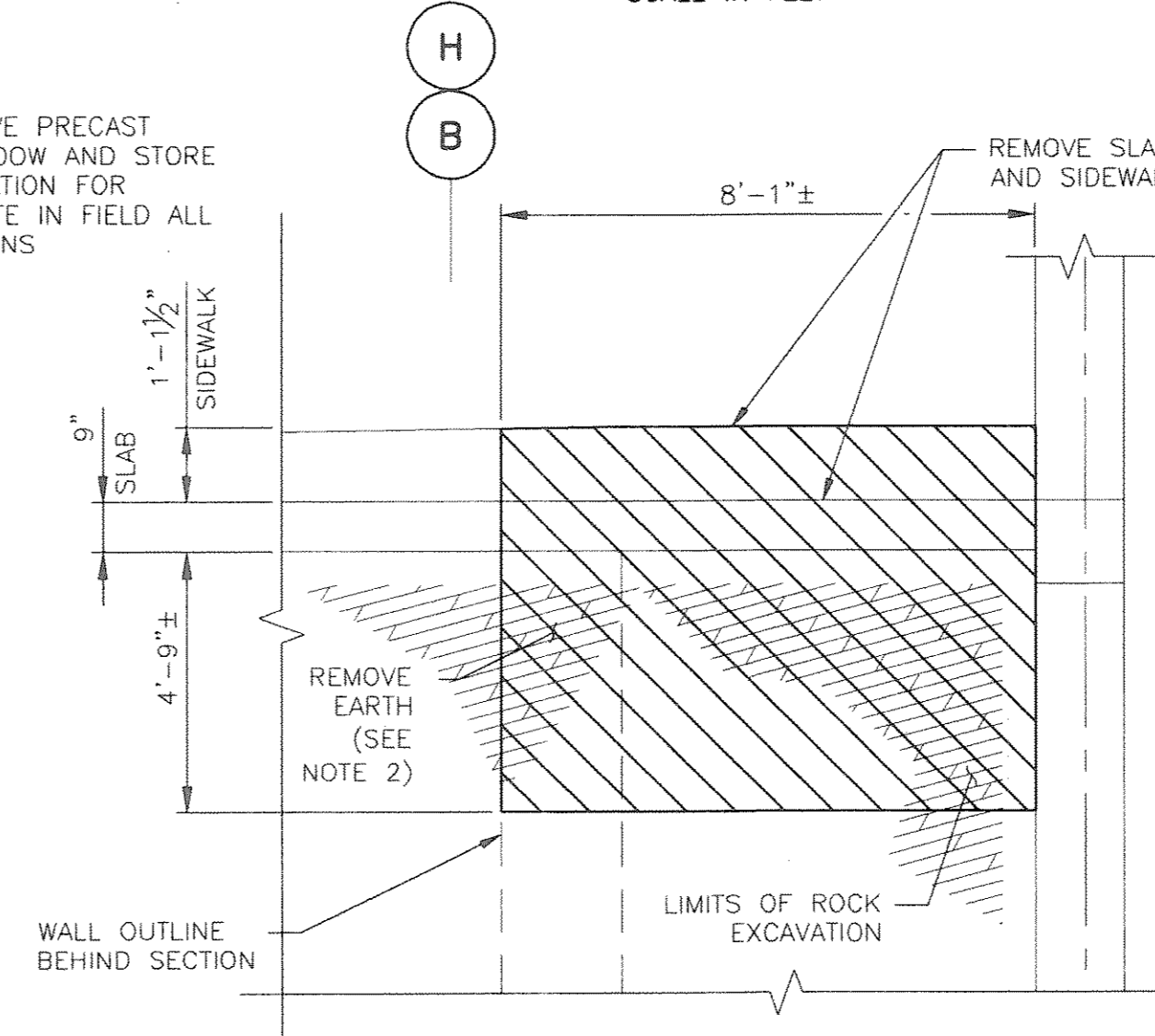
**D | 10** DETAIL: BUS LEVEL  
SCALE IN FEET



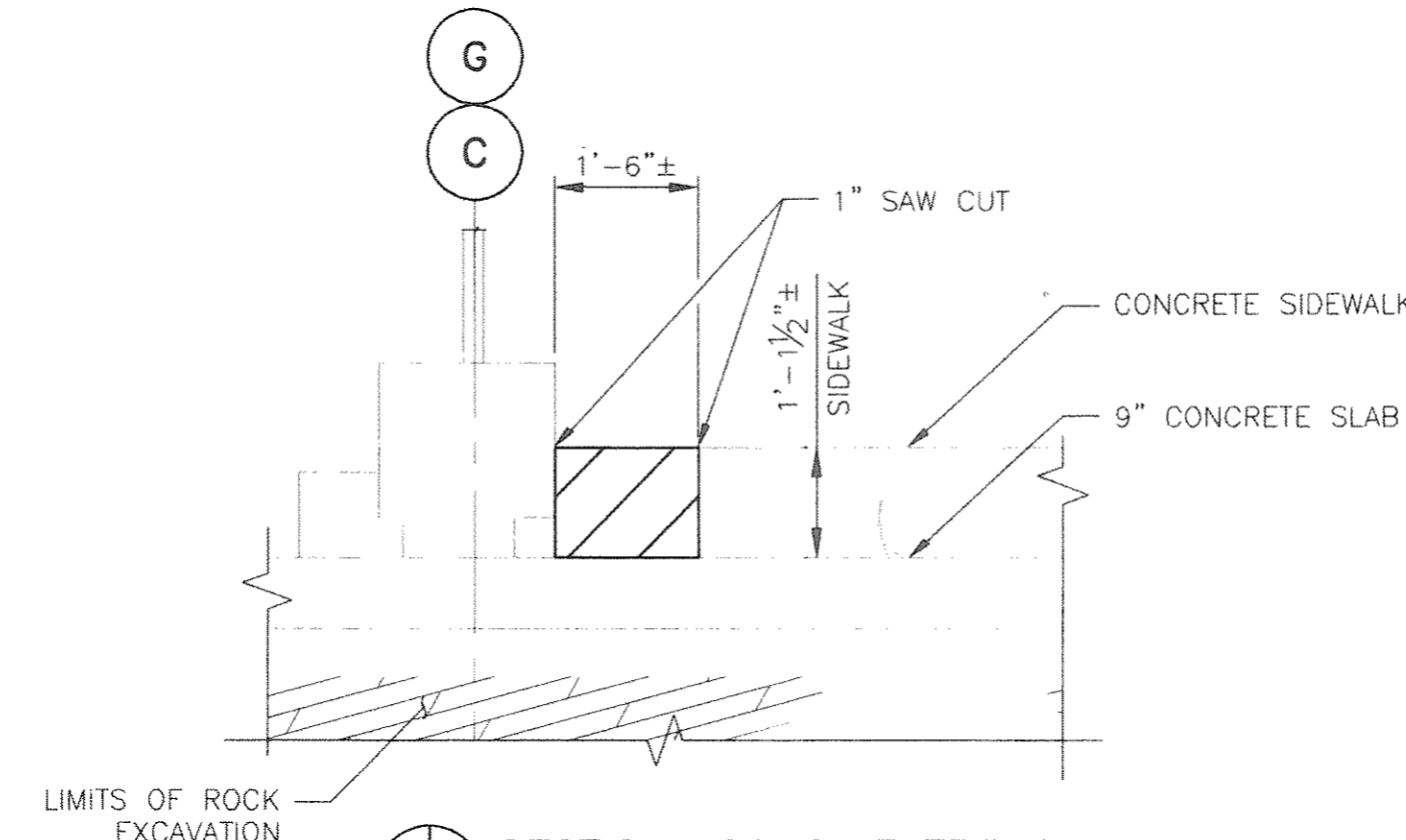
**S | 12** SECTION: BUS LEVEL  
SCALE IN FEET



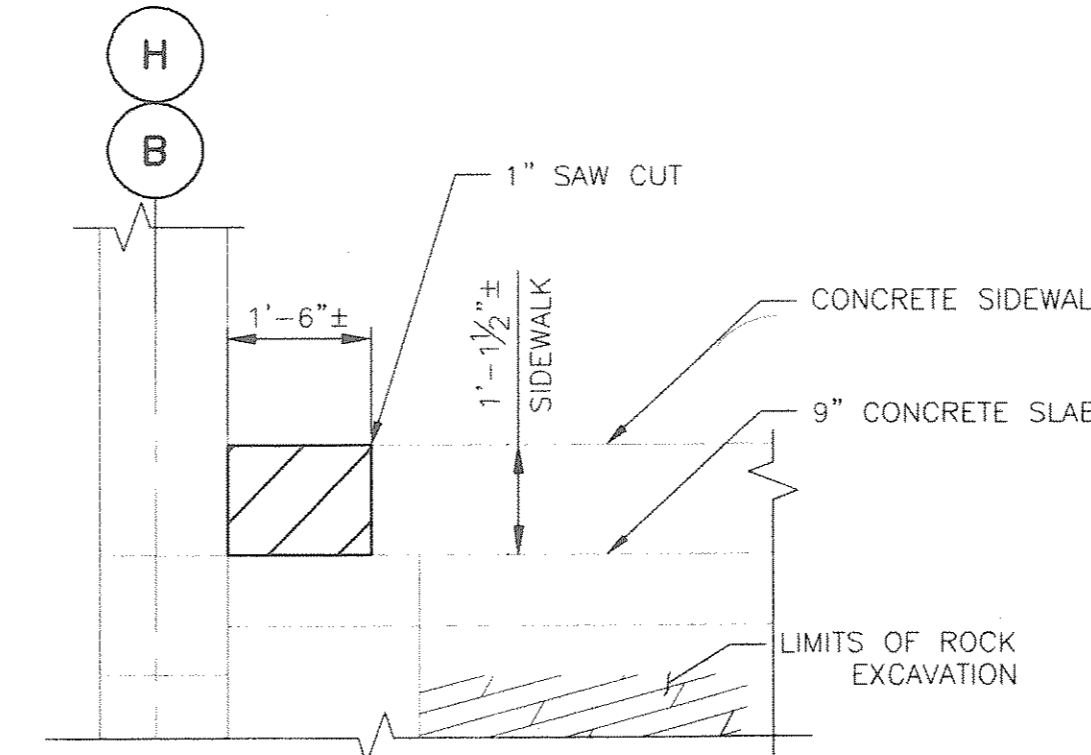
**S | 13** SECTION: BUS LEVEL  
SCALE IN FEET



**S | 14** SECTION: BUS LEVEL  
SCALE IN FEET



**S | 15** SECTION: CONDUIT TRENCH  
SCALE IN FEET



**S | 16** SECTION: CONDUIT TRENCH NOTES  
SCALE IN FEET

- FOR PLATE GIRDER DIMENSIONS, SEE DWG. S001.
- BRACED EXCAVATION IS REQUIRED (SEE SPEC. 02221).

No.	Date	Revision	Approved

ENGINEERING DEPARTMENT

JOURNAL  
SQUARE  
TRANSPORTATION  
CENTER

STRUCTURAL

Title  
BUS TERMINAL  
ESCALATOR REPLACEMENT

BUS LEVEL REMOVAL  
SECTIONS AND  
DETAILS - II

This drawing subject to conditions in contract. All inventions, ideas, designs and methods herein are reserved to Port Authority and may not be used without its written consent.

All recipients of Contract documents, including bidders and those who do not bid and their prospective subcontractors and suppliers who may receive all or a part of the Contract documents or copies thereof, shall make every effort to ensure the secure and appropriate disposal of the Contract documents to prevent further disclosure of the information contained in the documents. Secure and appropriate disposal includes methods of document destruction such as shredding or arrangements with refuse handlers that ensure that third persons will not have access to the documents' contents either before, during, or after disposal. Documents may also be returned for disposal purposes to the Contract Desk on the 3rd Floor, 3 Gateway Center, Newark, NJ 07102 or the office of the Director of Procurement, One Madison Avenue, 14th Floor, New York, NY 10017.

J. Villa J. Villa R. Acoury  
Designed by Drawn by Checked by

Date 11/17/2008

Contract Number PAT-214.004

Drawing Number S010  
PID# 07957000