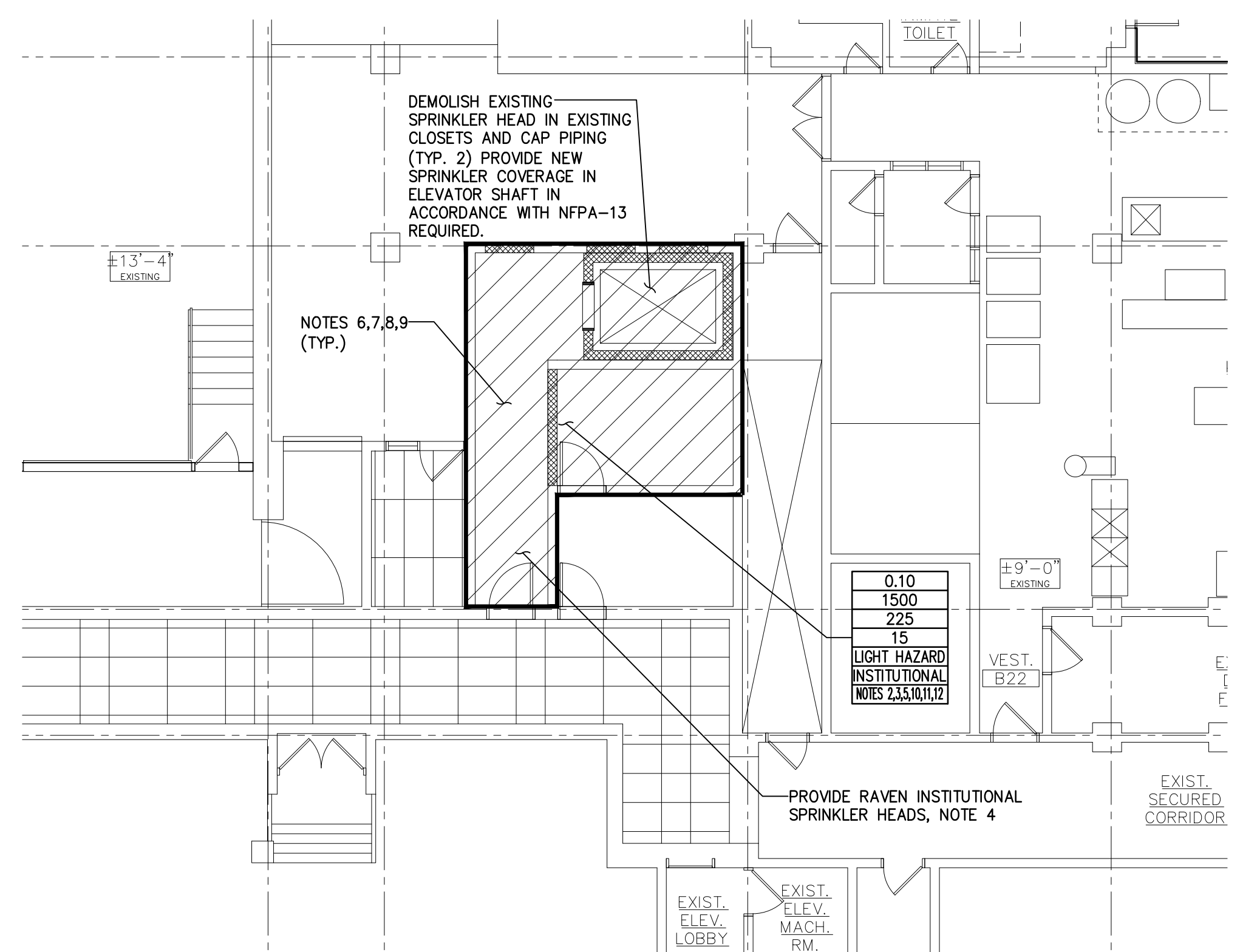


1 FIRE PROTECTION FIRST FLOOR PLAN - COURTROOM 13
 FP-21A SCALE: 1/8" = 1'-0"



2 FIRE PROTECTION BASEMENT ELEVATOR AREA
 FP-21A SCALE: 1/8" = 1'-0"

LEGEND

XXX	SPRINKLER DENSITY--(GPM/FT ²)		LIGHT HAZARD
XXX	AREA OF SPRINKLER OPERATION (FT ²)		
XXX	MAX COVERAGE AREA PER SPRINKLER (FT ²)		
XXX	MAX SPACING (FT)		
XXX	NFPA CLASSIFICATION		
XXX	SPRINKLER TYPE		
XXX	NOTES		

NOTES:

- ALL NOTES, SYMBOLS, AND ABBREVIATIONS ON DRAWING M-1.0 APPLY TO THIS DRAWING.
- ALL PIPE SIZES SHOWN ON THE DRAWING ARE EXISTING PIPE SIZES. FIRE PROTECTION CONTRACTOR SHALL SIZE PIPING BASED ON HYDRAULIC CALCULATIONS IN ACCORDANCE WITH NFPA AND SPECIFICATIONS. PRIOR TO PERFORMING HYDRAULIC CALCULATIONS, THE CONTRACTOR SHALL PERFORM A FLOW TEST IN ACCORDANCE WITH NFPA TO DETERMINE STATIC AND RESIDUAL PRESSURES AND CAPACITIES. COORDINATE FLOW TEST WITH LOCAL AUTHORITIES.
- FIRE PROTECTION CONTRACTOR SHALL COORDINATE INSTALLATION OF SPRINKLER HEADS WITH OTHER TRADES TO AVOID INTERFERENCES WITH DUCTWORK PIPING, CONDUIT, STRUCTURE, ETC.
- PROVIDE CONCEALED TYPE SPRINKLER HEADS IN ALL ROOMS WITH SUSPENDED CEILINGS. PROVIDE UPRIGHT OR PENDENT TYPE SPRINKLER HEADS IN AREAS WITHOUT CEILINGS. PROVIDE INTERMEDIATE TEMPERATURE HEADS IN THE ALL AREAS THAT ARE HEATED ONLY. PROVIDE ORDINARY TEMP SPRINKLERS IN STORAGE ROOMS. FOR AREAS WITH SECURITY CEILINGS, PROVIDE RAVEN INSTITUTIONAL SPRINKLERS AS MANUFACTURED BY TYCO.
- FIRE PROTECTION CONTRACTOR SHALL BE RESPONSIBLE FOR FINAL QUANTITIES AND LOCATIONS IN THE FIELD AS REQUIRED TO AVOID INTERFERENCES WITH DIFFUSERS, DUCTWORK, BUILDING STRUCTURE CONDUIT, ETC. AND THAT THESE FINAL QUANTITIES AND LOCATIONS ARE IN ACCORDANCE WITH NFPA.
- CONTRACTOR SHALL BE REQUIRED TO DEMOLISH ALL EXISTING FIRE PROTECTION SPRINKLERS IN THE AREA WHERE NEW COVERAGE IS TO BE PROVIDED AS SHOWN ON THIS PLAN.
- CONTRACTOR SHALL MAKE ALL REVISIONS TO EXISTING PIPING AND SPRINKLERS AS NECESSARY TO PROVIDE PROPOSED COVERAGE AS SHOWN ON THESE PLANS AND TO RETAIN EXISTING COVERAGE TO ALL OTHER AREAS OF THE BUILDING.
- CONTRACTOR TO INVESTIGATE AND FIELD VERIFY THE EXISTING FIRE PROTECTION SPRINKLER PIPE SIZE AND LAYOUT AS NECESSARY TO PERFORM HYDRAULIC CALCULATIONS AND PROVIDE COVERAGE IN ACCORDANCE WITH THE PLANS AND SPECIFICATIONS. IT IS STRONGLY RECOMMENDED THAT THE CONTRACTOR VISIT THE SITE PRIOR TO SUBMITTING HIS BID TO FULLY UNDERSTAND THE EXISTING CONDITIONS. CONTRACTOR SHALL INCLUDE IN HIS BID ALL MATERIALS AND LABOR NECESSARY TO PERFORM THE SCOPE OF WORK AS SHOWN ON THE CONTRACT DRAWINGS.
- CONTRACTOR TO DEMOLISH EXISTING BRANCH PIPING AND SPRINKLER DROPS, AND PROVIDE NEW DISTRIBUTION BRANCH PIPING AND SPRINKLER DROPS TO PROVIDE COVERAGE IN ACCORDANCE WITH THE CONTRACT DOCUMENTS. PROVIDE HYDRAULIC CALCULATIONS IN ACCORDANCE WITH NFPA 13 FOR THE RECONFIGURED SPACE. SEE ALSO NOTES 6 AND 7.
- CONTRACTOR TO PROVIDE ALL WORK AND MATERIALS, INCLUDING REVISIONS TO SPRINKLER PIPING, IN ALL AREAS, EVEN IF NOT NOTED ON THIS PLAN, AS NECESSARY PROVIDE THE COVERAGE SPECIFIED.
- CONTRACTOR REQUIRED TO PROVIDE ALL FLOW TESTS, ETC. NECESSARY TO PERFORM THE REQUIRED CALCULATIONS AND SYSTEM INSTALLATION AND TESTING. SEE SPECIFICATION SECTION 21131.3.
- CONTRACTOR TO REMOVE AND REPLACE ALL CEILING TILES, LIGHTING, ETC. NECESSARY TO INSTALL SPRINKLER PIPING, EVEN IF THE CEILING IS NOT WITHIN THE HATCHED AREA AS SHOWN ON THIS DRAWING.



REMINGTON & VERNICK ENGINEERS
 232 KINGS HIGHWAY EAST
 HADDONFIELD, NJ 08033
 (856) 795-9595, FAX (856) 795-1882
 WEB SITE ADDRESS: WWW.RVE.COM
 Certification of Authorization: 24 GA 28003300
 -ENGINEERING EXCELLENCE-

PLANS WHICH DO NOT BEAR AN EMBOSSED SEAL ARE NOT VALID.

ALL DOCUMENTS PREPARED BY REMINGTON & VERNICK ENGINEERS AND AFFILIATES ARE INSTRUMENTS OF SERVICE IN RESPECT OF THE PROJECT. THEY ARE NOT INTENDED OR REPRESENTED TO BE SUITABLE FOR REUSE BY OWNER OR OTHERS ON EXTENSIONS OF THE PROJECT OR ON ANY OTHER PROJECT. ANY REUSE WITHOUT WRITTEN VERIFICATION OR ADAPTATION BY REMINGTON & VERNICK ENGINEERS AND AFFILIATES FOR THE SPECIFIC PURPOSE INTENDED WILL BE AT OWNERS SOLE RISK AND WITHOUT LIABILITY OR LEGAL EXPOSURE TO REMINGTON & VERNICK ENGINEERS AND AFFILIATES. AND OWNER SHALL INDEMNIFY AND HOLD HARMLESS REMINGTON & VERNICK ENGINEERS AND AFFILIATES FROM ALL CLAIMS, DAMAGES, LOSSES AND EXPENSES ARISING OUT OF OR RESULTING THEREFROM.

DATE:
CHRISTOPHER A. SAPONARO
 NJ PROFESSIONAL ENGINEER LIC. No. 40059

ISSUED FOR BID



**ARCHITECTURE
 PLANNING
 ENGINEERING
 INTERIORS
 MANAGEMENT**
 18 Washington Street
 P.O. Box 1638
 Toms River, NJ 08754
 Tel: 732-240-3433
 1-800-376-3433
 Fax: 732-240-3463
 E-mail: info@yezziassociates.com
 Website: www.yezziassociates.com

Massimo Francis Yezzi, Jr.
 Architect No. C 7475 -NJ
 Planner No. 2368 -NJ
 Architect No. 019392 -NJ
 Architect No. 0127398 -PA
 Architect No. 7460 -CT
 Architect No. 8475 -NC
 Architect No. 5975 -SC
 Architect No. 92394 -FL
 Architect No. 5733 -NV
 Architect No. 9787-005 -WISC
 Architect No. 39914 -NCARB
 Architect No. 30262377 -AIA

Giovanni V. Peragine
 Architect No. 47443 -AZ
 Architect No. 401245 -CO
 Architect No. ARC3441 -ME
 Architect No. 15536 -MD
 Architect No. 032021-1 -NY
 Architect No. 003-0003038 -VT
 Architect No. 92506 -NCARB
 Architect No. 1048-005 -WISC
 Architect No. 21314 -TX
 LEED Accredited Professional

Seal
 Signature _____ Date _____

PROPOSED THIRD FLOOR COURTCOURT INTERIOR FIT-OUT & RENOVATIONS TO COURTCOURT #15 AT
OCEAN COUNTY JUSTICE COMPLEX
 120 HOOVER AVENUE
 OCEAN COUNTY, NJ 08754

Project Bid Date
 AUGUST 21, 2018

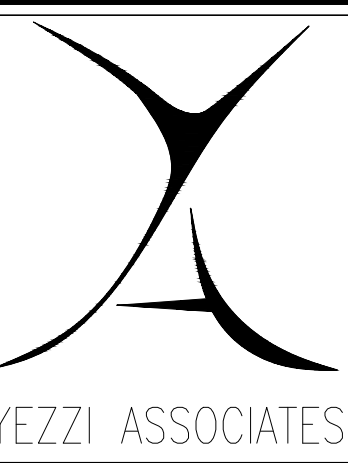
Revisions By Date

Addendums By Date

Sheet Title
 FIRE PROTECTION FIRST FLOOR PLAN - COURTROOM 13 ALTERNATE #1
 Drawn By
 B.Z. 90
 Chk'd By
 OF 92
 Sheet No.

FP-2.1A

Project No.



YEZZI ASSOCIATES
 ARCHITECTURE
 PLANNING
 ENGINEERING
 INTERIORS
 MANAGEMENT
 18 Washington Street
 P.O. Box 1638
 Toms River, NJ 08754
 Tel: 732-240-3433
 1-800-376-3433
 Fax: 732-240-3463
 E-mail: info@yezziassociates.com
 Website: www.yezziassociates.com

Massimo Francis Yezzi, Jr.
 Architect No. C 7475 -NJ
 Planner No. 2368 -NJ
 Architect No. 019392 -NY
 Architect No. 0127398 -PA
 Architect No. 7460 -CT
 Architect No. 8475 -NC
 Architect No. 5975 -SC
 Architect No. 92394 -FL
 Architect No. 5733 -NV
 Architect No. 9787-005 -WISC
 Architect No. 39914 -NCARB
 Architect No. 30262377 -AIA

Giovanni V. Peragine
 Architect No. 47443 -AZ
 Architect No. 401245 -CO
 Architect No. ARC3441 -ME
 Architect No. 15536 -MD
 Architect No. 032021-1 -NY
 Architect No. 003-0005038 -VT
 Architect No. 92506 -NCARB
 Architect No. 1048-005 -WISC
 Architect No. 21314 -TX
 LEED Accredited Professional

Seal
 Signature _____ Date _____

Project

Project Bid Date

Revisions By Date

Revisions By Date

Revisions By Date

Revisions By Date

Revisions By Date

Revisions By Date

Revisions By Date

Revisions By Date

Revisions By Date

Revisions By Date

Revisions By Date

Revisions By Date

Revisions By Date

Revisions By Date

Revisions By Date

Revisions By Date

Revisions By Date

Revisions By Date

Revisions By Date

Revisions By Date

Revisions By Date

Revisions By Date

Revisions By Date

Revisions By Date

Revisions By Date

Revisions By Date

Revisions By Date

Revisions By Date

Revisions By Date

Revisions By Date

Revisions By Date

Revisions By Date

Revisions By Date

Revisions By Date

Revisions By Date

Revisions By Date

Revisions By Date

Revisions By Date

Revisions By Date

Revisions By Date

Revisions By Date

Revisions By Date

Revisions By Date

Revisions By Date

Revisions By Date

Revisions By Date

Revisions By Date

Revisions By Date

Revisions By Date

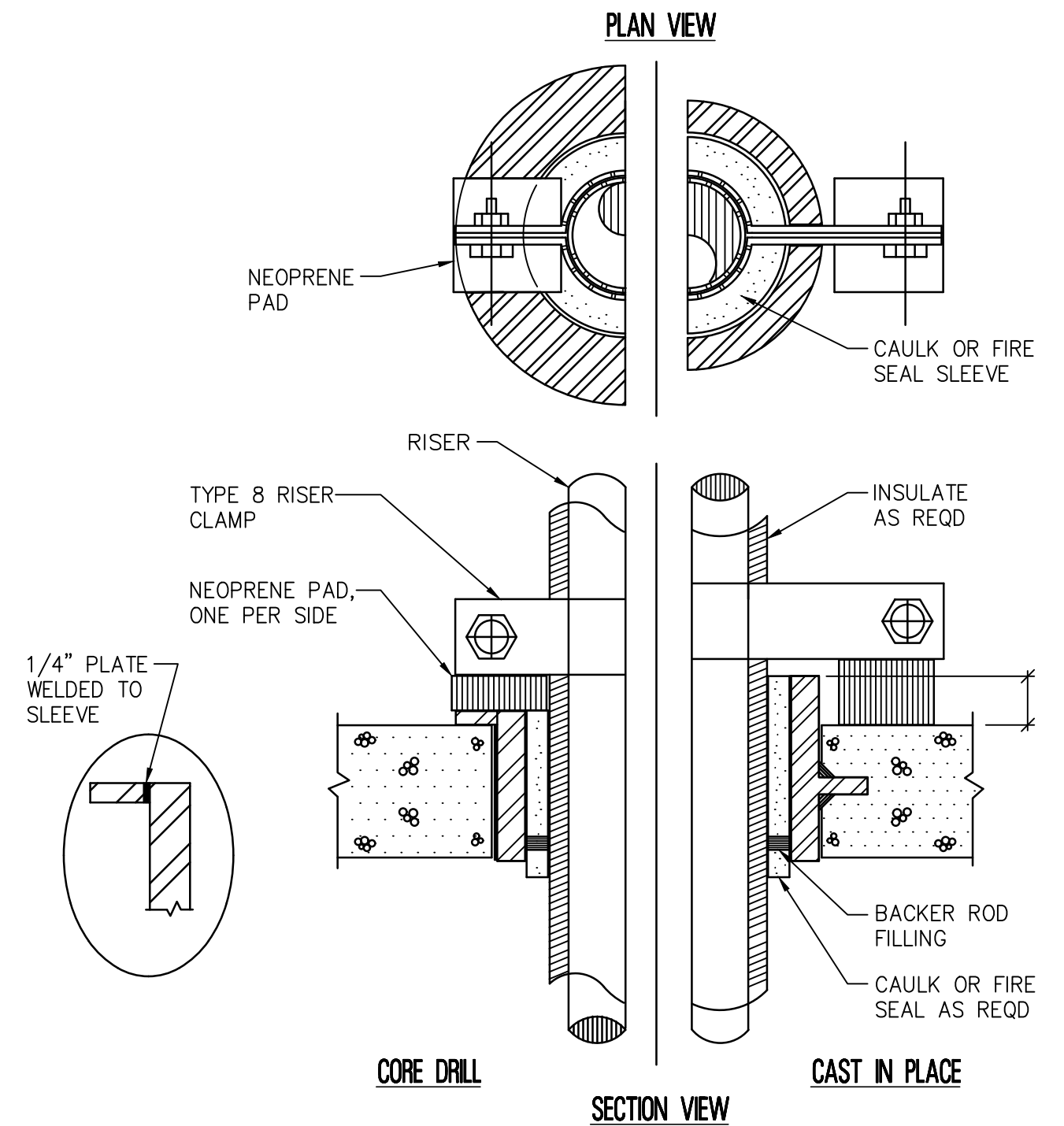
Revisions By Date

Revisions By Date

Revisions By Date

Revisions By Date

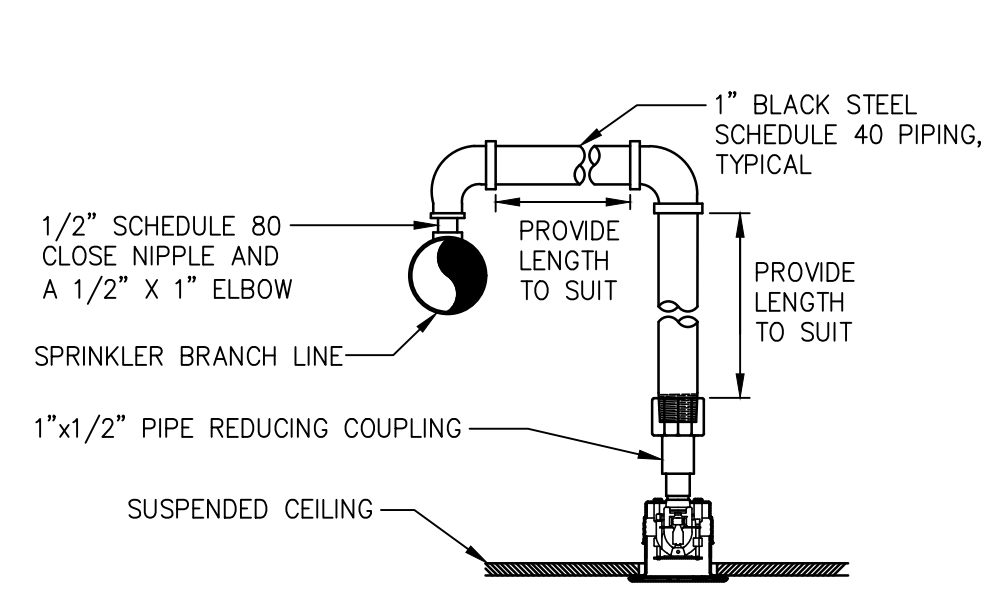
Revisions By Date



NOTE:
 IF CAST IN PLACE, USE STEEL SLEEVE
 AND SET NEOPRENE PAD ON CONC

TYPICAL SINGLE PIPE RISER CLAMP WITH VIBRATION ISOLATION

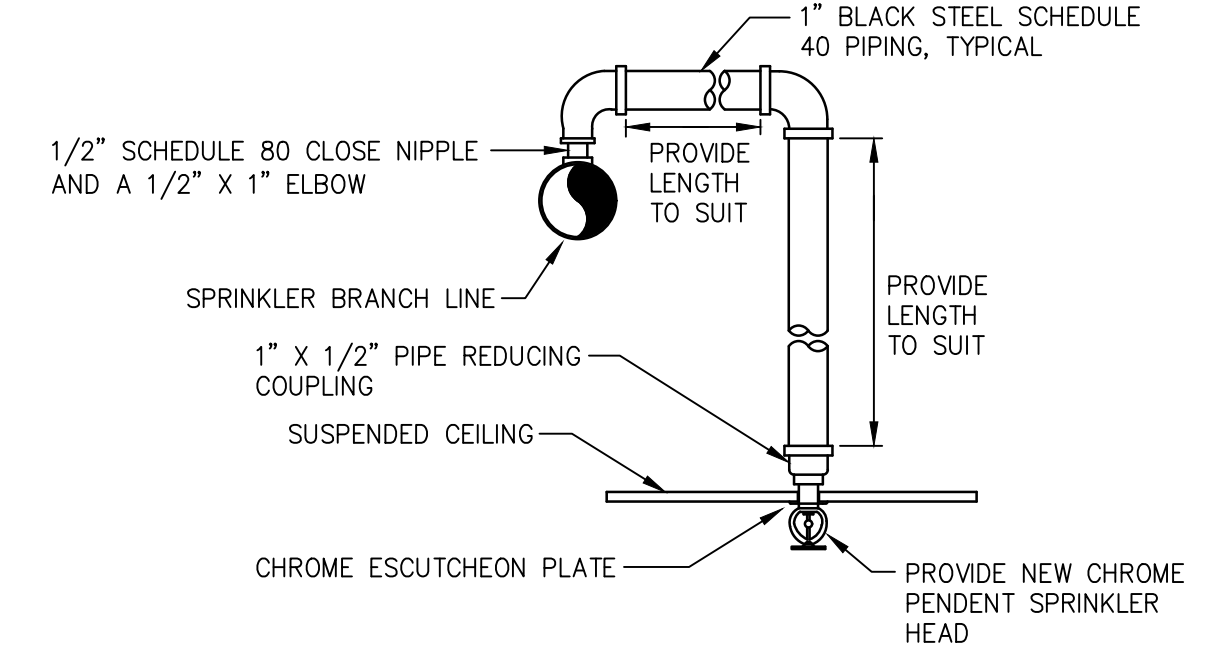
N.T.S.



- NOTES:
- ADJUST SPRINKLER DROPS AS NECESSARY TO CLEAR OBSTRUCTIONS SUCH AS THE CEILING "T" BAR SUSPENSION SYSTEM, LIGHT FIXTURES, ETC. PROVIDE A PIPE HANGER IF THE HORIZONTAL OFFSET LENGTH EXCEEDS 24 INCHES.
 - THIS SPRINKLER HEAD DROP IS APPLICABLE ONLY WHERE IT IS NOT NECESSARY TO RETAIN AN UPRIGHT SPRINKLER FOR PROTECTION OF COMBUSTIBLE CONSTRUCTION ABOVE THE CEILING.
 - SEE NOTE #4 ON DRAWING FP-2.1A FOR ADDITIONAL INFORMATION.
 - SIMILAR FOR SECURITY-TYPE SPRINKLER HEADS.

NEW SPRINKLER HEAD DROP WITH RECESSED SPRINKLER HEAD

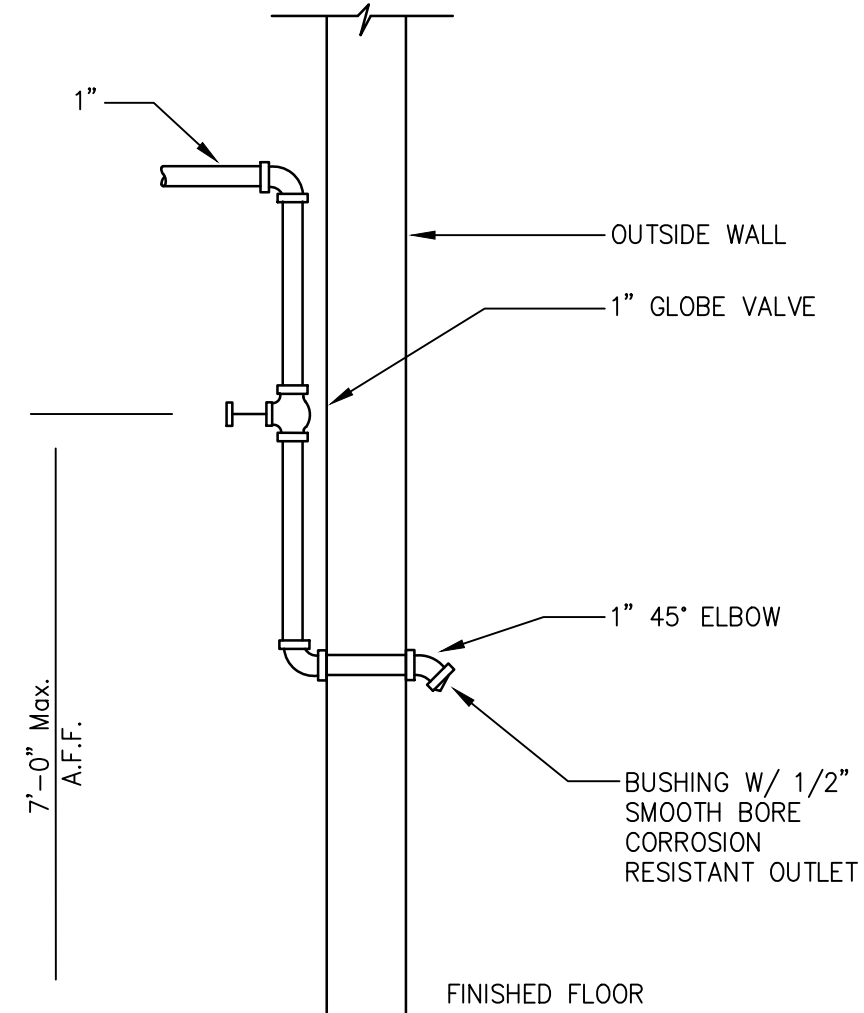
N.T.S.



- NOTES:
- ADJUST SPRINKLER DROPS AS NECESSARY TO CLEAR OBSTRUCTIONS SUCH AS THE CEILING "T" BAR SUSPENSION SYSTEM, LIGHT FIXTURES, ETC. PROVIDE A PIPE HANGER IF THE HORIZONTAL OFFSET LENGTH EXCEEDS 24 INCHES.
 - THIS SPRINKLER HEAD DROP IS APPLICABLE ONLY WHERE IT IS NOT NECESSARY TO RETAIN AN UPRIGHT SPRINKLER FOR PROTECTION OF COMBUSTIBLE CONSTRUCTION ABOVE THE CEILING.
 - SEE NOTE #4 ON DRAWING FP-2.1A FOR ADDITIONAL INFORMATION.

TYPICAL NEW SPRINKLER HEAD DROP

N.T.S.



INSPECTOR'S TEST CONNECTION FOR WET PIPE SPRINKLER SYSTEM

N.T.S.



REMINGTON & VERNICK ENGINEERS

232 KINGS HIGHWAY EAST
 HADDONFIELD, NJ 08033
 (856) 795-9595, FAX (856) 795-1882
 WEB SITE ADDRESS : WWW.RVE.COM
 Certification of Authorization : 24 GA 28003300
 -ENGINEERING EXCELLENCE-

PLANS WHICH DO NOT BEAR AN EMBOSSED SEAL ARE NOT VALID.

ALL DOCUMENTS PREPARED BY REMINGTON & VERNICK ENGINEERS AND AFFILIATES ARE INSTRUMENTS OF SERVICE IN RESPECT OF THE PROJECT. THEY ARE NOT INTENDED OR REPRESENTED TO BE SUITABLE FOR REUSE BY OWNER OR OTHERS ON EXTENSIONS OF THE PROJECT OR ON ANY OTHER PROJECT. ANY REUSE WITHOUT WRITTEN VERIFICATION OR ADAPTATION BY REMINGTON & VERNICK ENGINEERS AND AFFILIATES FOR THE SPECIFIC PURPOSE INTENDED WILL BE AT OWNERS SOLE RISK AND WITHOUT LIABILITY OR LEGAL EXPOSURE TO REMINGTON & VERNICK ENGINEERS AND AFFILIATES. AND OWNER SHALL INDEMNIFY AND HOLD HARMLESS REMINGTON & VERNICK ENGINEERS AND AFFILIATES FROM ALL CLAIMS, DAMAGES, LOSSES AND EXPENSES ARISING OUT OF OR RESULTING THEREFROM.

DATE:
CHRISTOPHER A. SAPONARO
 NJ PROFESSIONAL ENGINEER LIC. No. 40059

ISSUED FOR BID