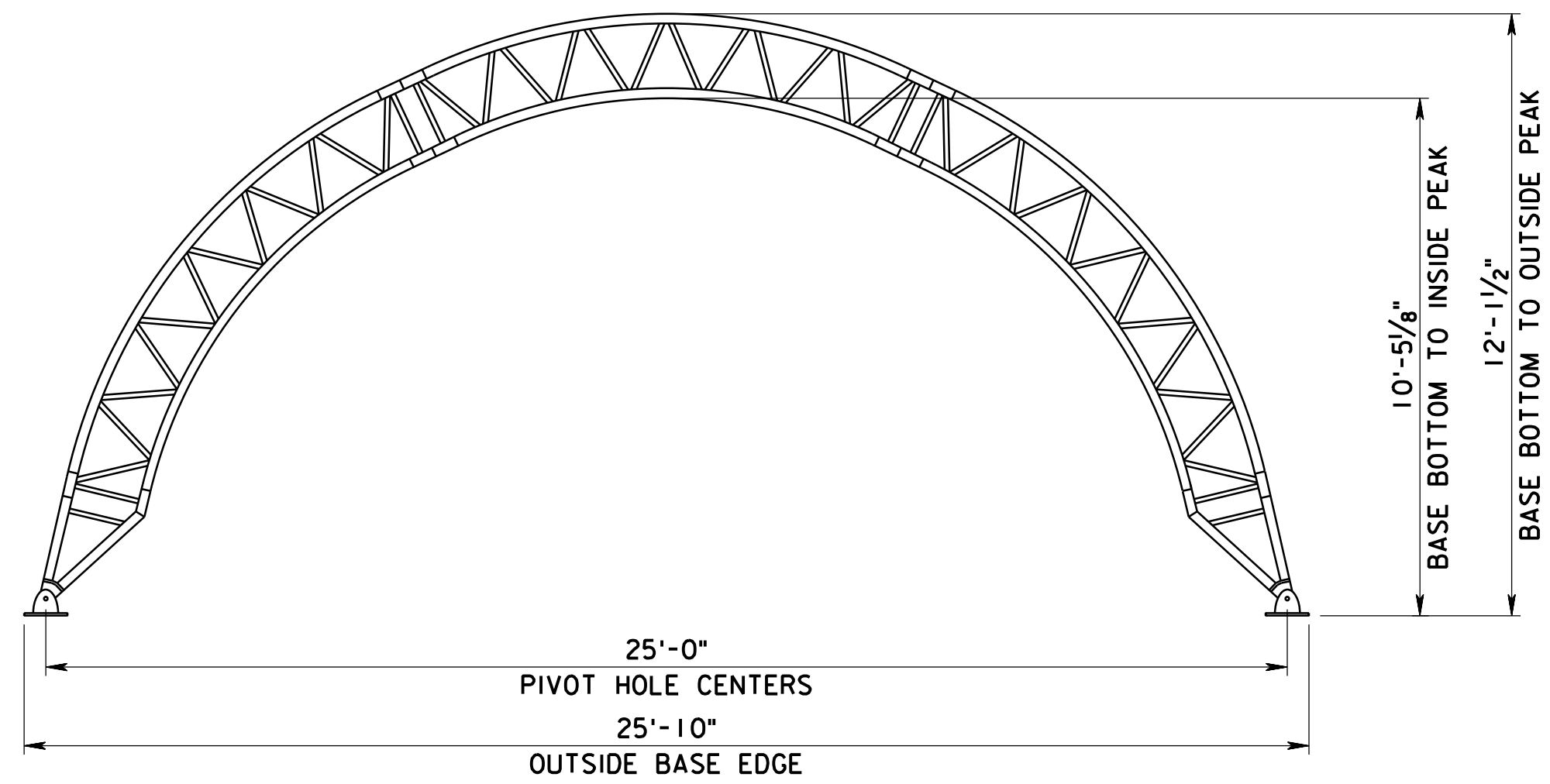
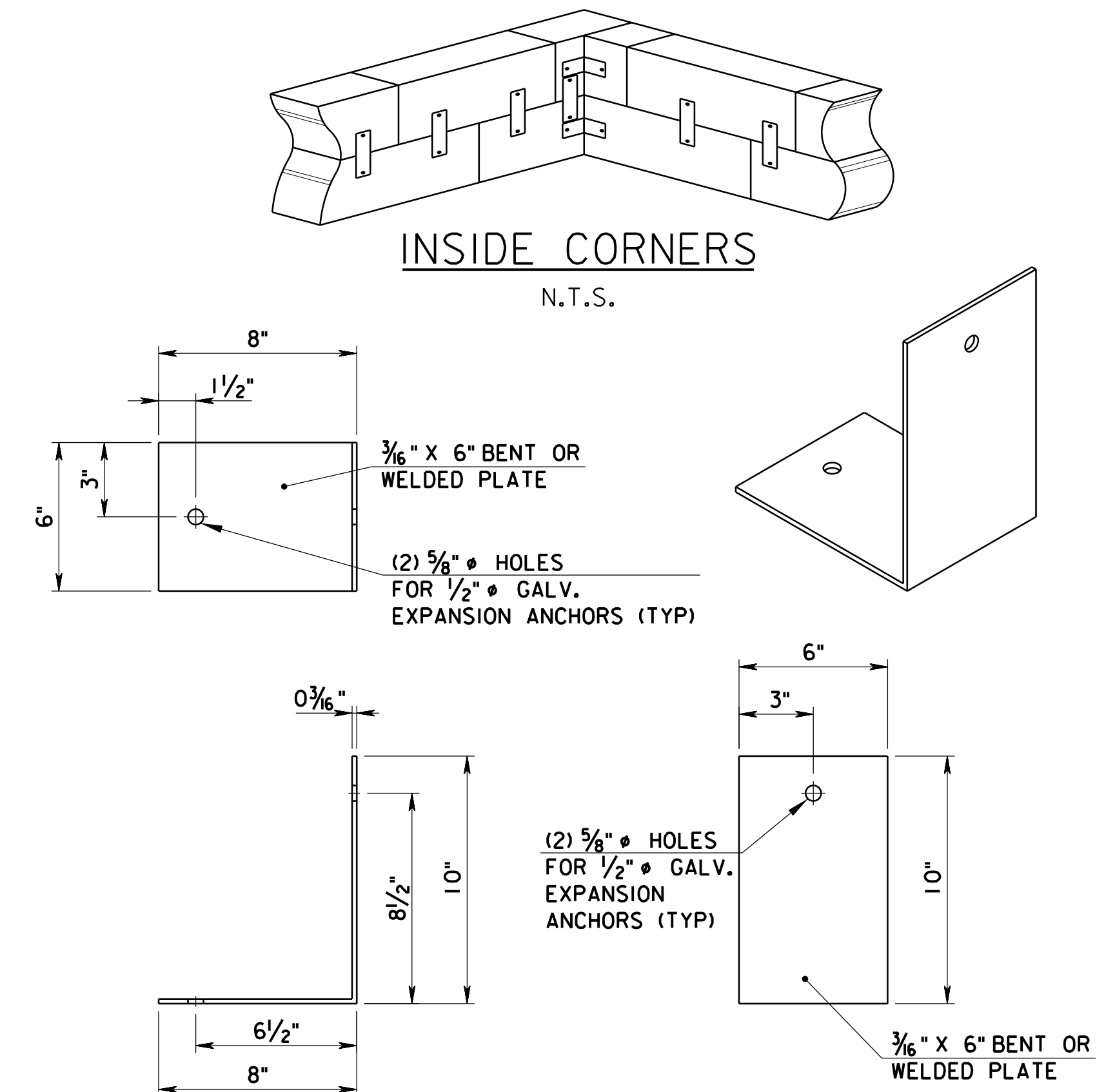


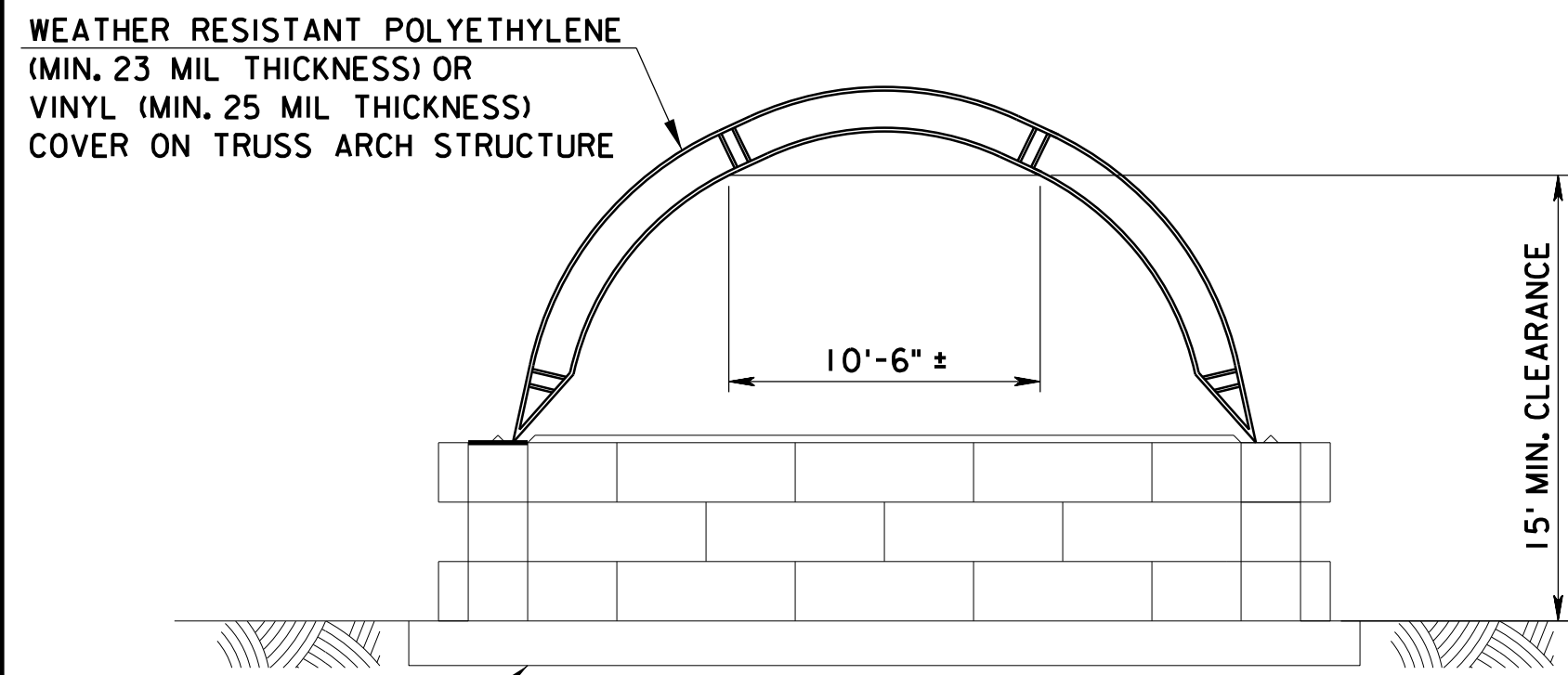
PLAN  
N.T.S.



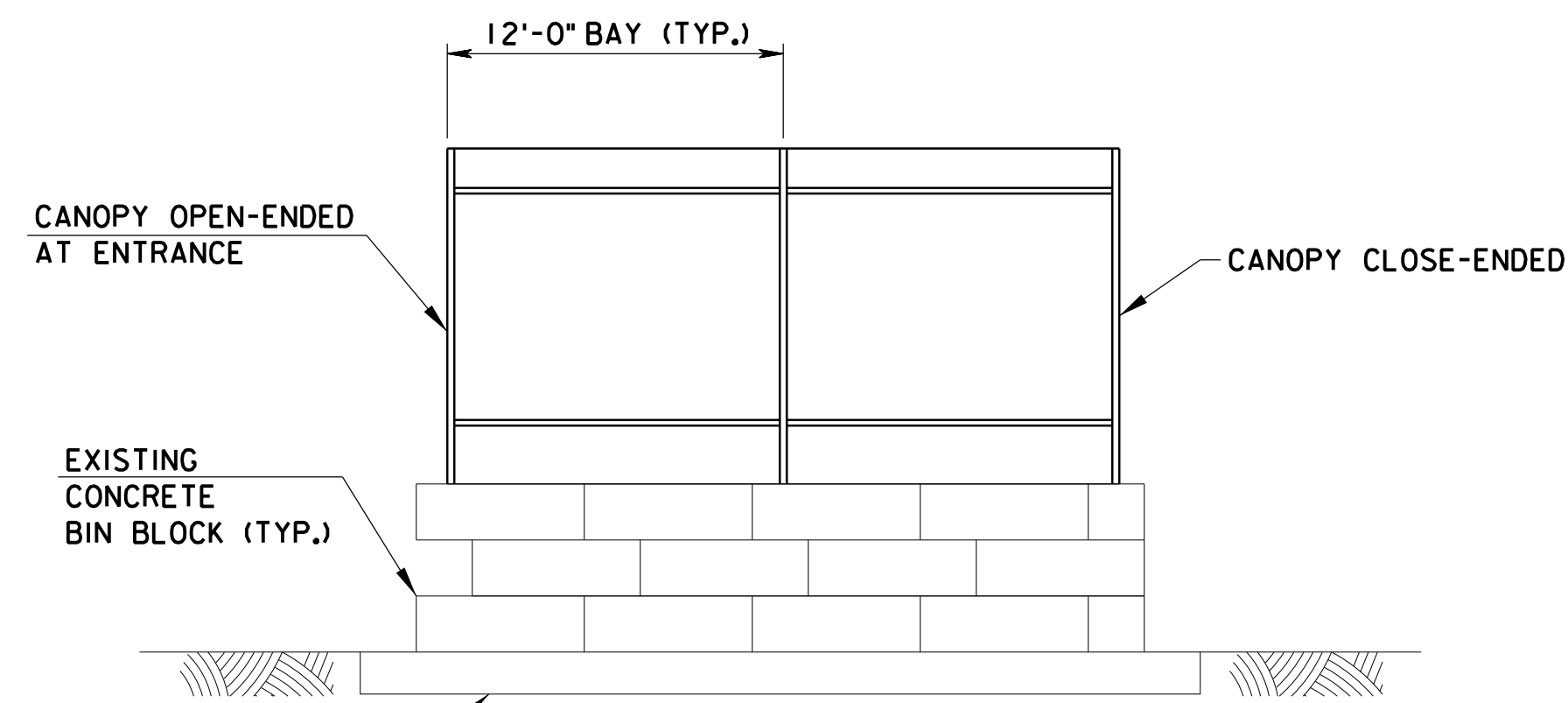
TRUSS ARCH STRUCTURE DETAIL  
N.T.S.



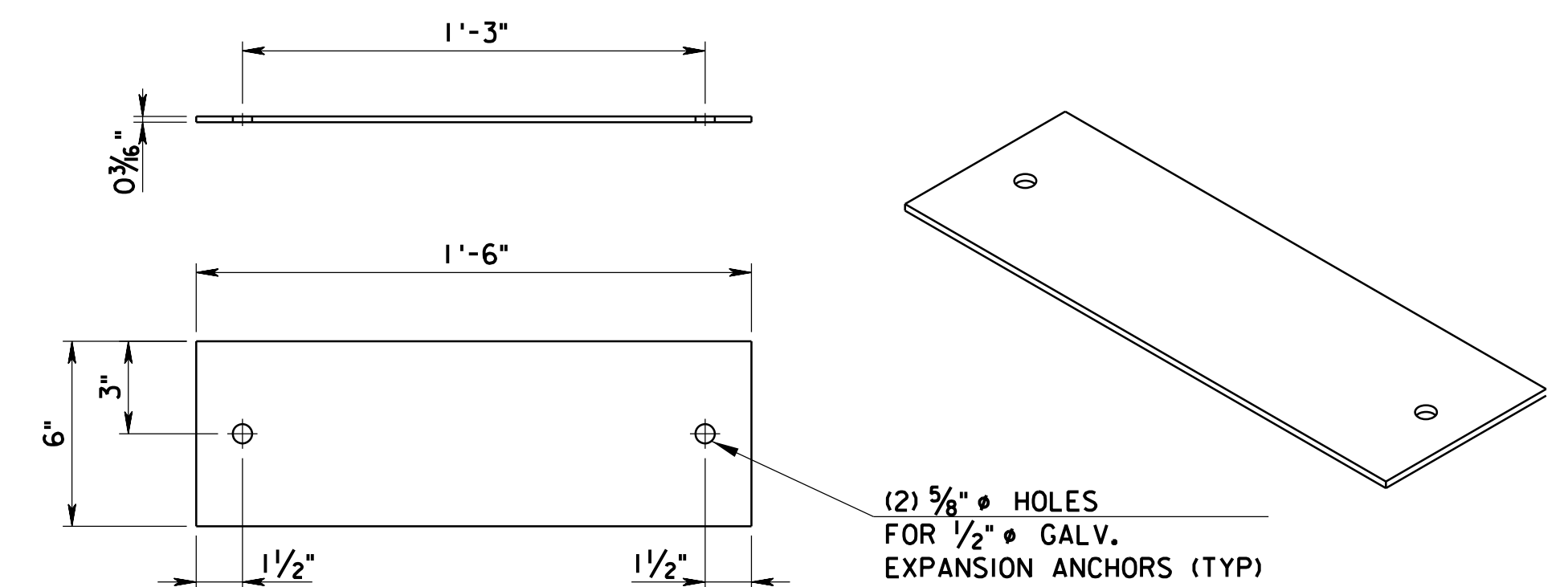
ANGLE STRAP DETAILS  
N.T.S.



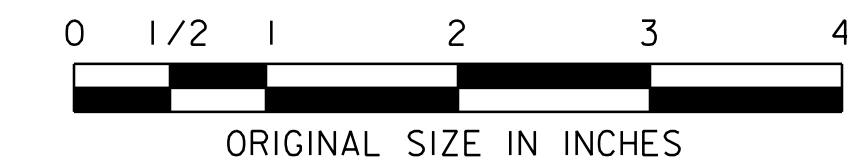
ENTRANCE ELEVATION  
N.T.S.



ELEVATION  
N.T.S.



FLAT STRAP DETAILS  
N.T.S.



1. GENERAL INFORMATION:  
SITE EXPOSURE CATEGORY: C
2. DEAD LOADS:  
STRUCTURE - ACTUAL WEIGHT  
WEIGHT OF SALT - 75 PCF
3. LIVE LOADS:  
SNOW:  
GROUND: 30 PSF  
SNOW EXPOSURE FACTOR: 1.0  
SNOW IMPORTANCE FACTOR: 1.0
4. WIND LOAD:  
BASIC WIND SPEED: 120 MPH (MIN)  
WIND LOAD IMPORTANCE FACTOR: 1.0  
WIND EXPOSURE CATEGORY: C  
INTERNAL PRESSURE COEFF: DETERMINED BY MANUFACTURER  
COMPONENT & CLADDING DESIGN PRESSURE: DETERMINED BY MANUFACTURER
5. GEOTECHNICAL INFORMATION:  
MINIMUM DESIGN BEARING CAPACITY: 1.3 KSF

- NOTES:
- ALL TRUSS STRUCTURE DIMENSIONS ARE APPROXIMATE. ACTUAL DIMENSIONS TO BE SUPPLIED BY MANUFACTURER.
  - THE CONCEPT FOR THIS STRUCTURE HAS BEEN COORDINATED WITH CLEARSPAN FABRIC STRUCTURES. CONTRACTOR TO SUBMIT FOR THE ENGINEERS REVIEW ALL DESIGN DRAWINGS AND CALCULATIONS AS WELL AS ALL MANUFACTURER'S PROPOSED EQUIPMENT PLANS AND LAYOUTS WITH LOADING, ANCHORAGE AND CLEARANCE REQUIREMENTS PRIOR TO PLACEMENT.
  - MODIFY THE EXISTING SALT STORAGE BIN TO MEET THE DIMENSIONS REQUIRED FOR CANOPY INTALLATION.
  - CONNECT EACH BIN BLOCK TO THE ADJACENT BIN BLOCK USING GALVANIZED STEEL STRAPS. SEE ANGLE AND FLAT STRAP DETAILS THIS SHEET. CONTRACTOR TO SUBMIT FOR THE ENGINEERS REVIEW ALL DESIGN DRAWINGS AND CALCULATIONS FOR THE MODIFICATION OF BIN BLOCK WALLS.
  - BIN BLOCKS SHALL BE INTERLOCKING SOLID CONCRETE BLOCKS WITH SMOOTH FINISH. BLOCKS SHALL BE 2'X2'X6'.
  - BEFORE ORDERING THE BLOCKS TO MODIFY EXISTING STORAGE BIN, CONTRACTOR SHALL ASURE THAT THE PROPOSED BLOCKS CAN BE CONNECTED WITH THE EXISTING ONES.
  - MODIFICATION OF THE BRINING SALT STORAGE BIN, INSTALLATION OF THE NEW CANOPY AND ALL ASSOCIATED APPURTENANCES SHALL BE PAID UNDER THE ITEM "CANOPY FOR BRINE SYSTEM - LOCATION 1".

	BY	DATE
DESIGNED BY:	MS	4/2015
DRAWN BY:	MS	4/2015
CHECKED BY:	JSL	4/2015
SUPERVISOR:	JSL	

REV.	DESCRIPTION	DATE	BY	CHK.

NEW JERSEY TURNPIKE AUTHORITY  
**GARDEN STATE PARKWAY**  
 CONTRACT NO. P500.360 - FACILITIES IMPROVEMENT PROGRAM  
 PMD5 (TELEGRAPH HILL) MP 116, PMD6 (CLARK) MP 136.7,  
 PMD7 (CLIFTON) MP 156.1 AND PMD8 (PARAMUS) MP 164.2

PMD5 (TELEGRAPH HILL)  
 CONSTRUCTION DETAILS - 8

T.Y. LIN INTERNATIONAL  
 3379 QUAKERBRIDGE ROAD, SUITE 200  
 HAMILTON, NJ 08619  
 CERTIFICATE OF AUTHORIZATION NO. 24GA27976000  
 SCALE: AS SHOWN  
 DATE: MAY 2015

JAMES S. LESTER  
 NEW JERSEY PROFESSIONAL ENGINEER LICENSE NO. 24GE03346000

32  
679

FILE NAME: \\Chil-Sys-PWNET\j\com\TYLIN\Projects\361163.00\_NJ\TAD\Drawings\Sheets\Telegraph Hill\P500\_360\_FD\_0032.sht  
DATE: 4/28/2015 TIME: 1:52:13 PM USERNAME: BUSERNAME