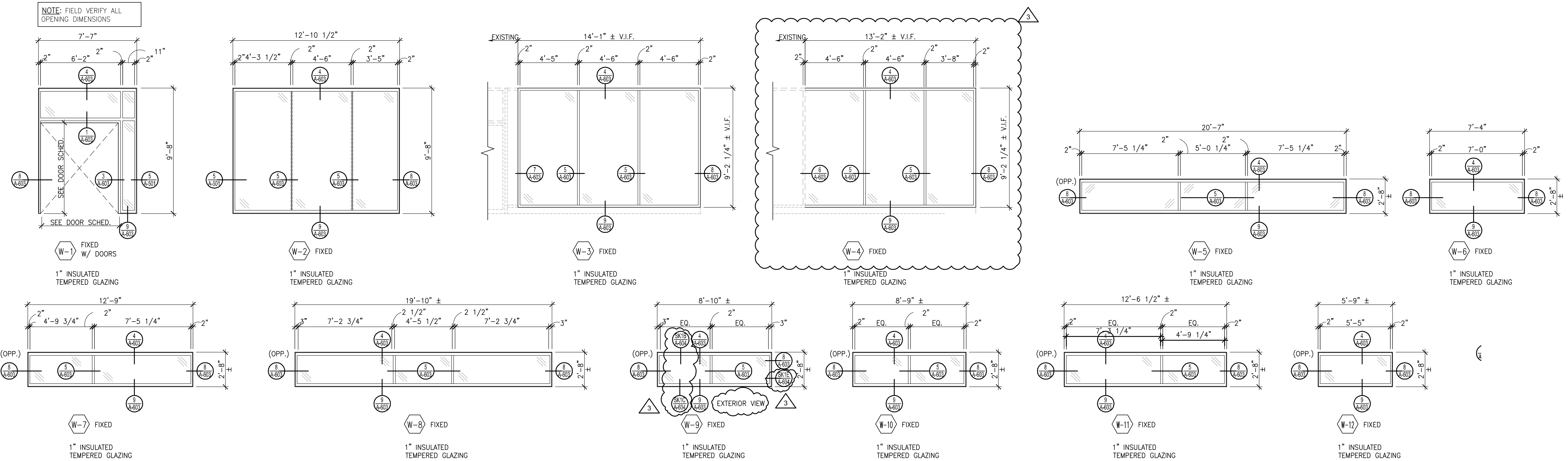


WINDOW TYPES FOR KAWNEER TRIFAB 451 UT SYSTEM

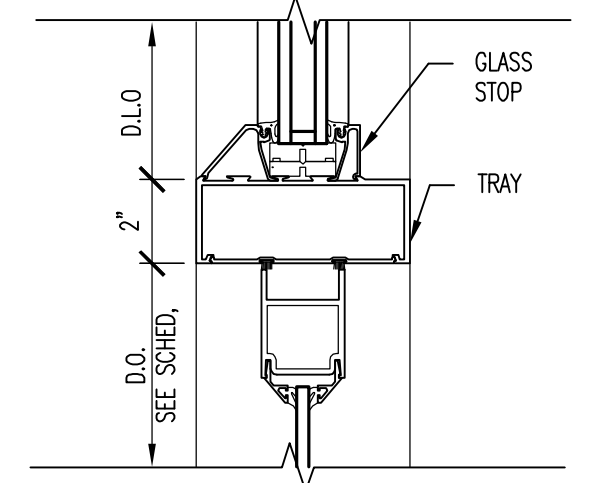
SCALE: 1/4" = 1'-0"

NOTE: FOR WINDOW TYPE LOCATIONS REFER TO DRAWING A102 AND A103

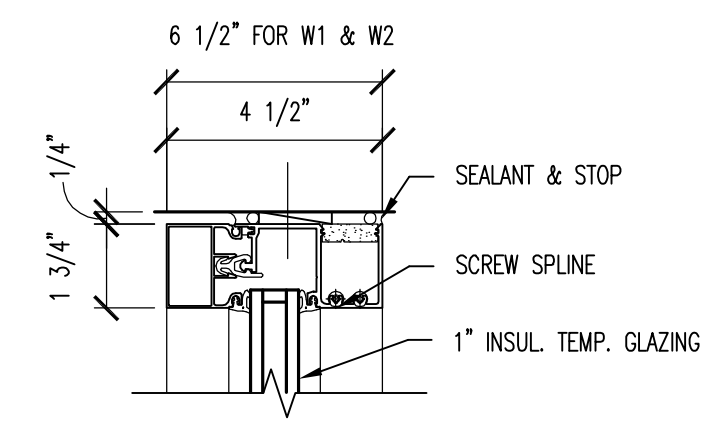
NOTE: FIELD VERIFY ALL OPENING DIMENSIONS



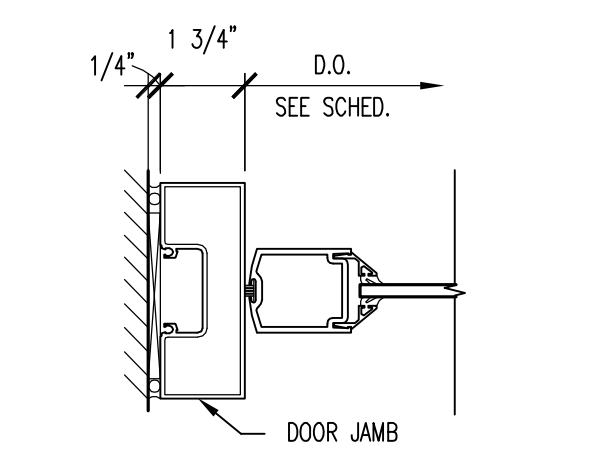
ORIGINAL IF IT IS RED IT IS AN ORIGINAL



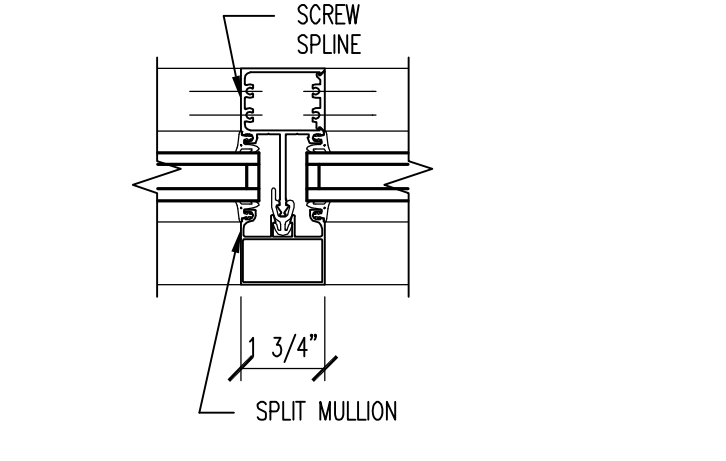
1 HEAD DETAIL A603 3" = 1'-0"



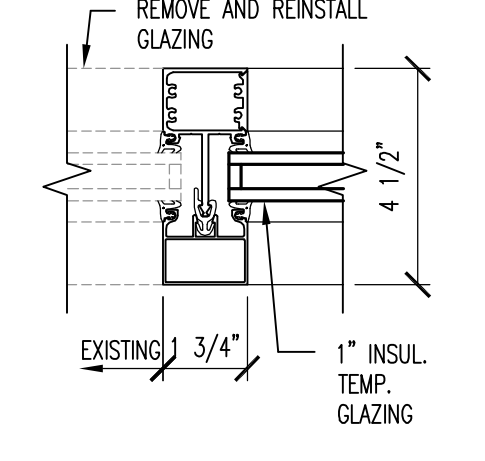
4 HEAD DETAIL A603 3" = 1'-0"



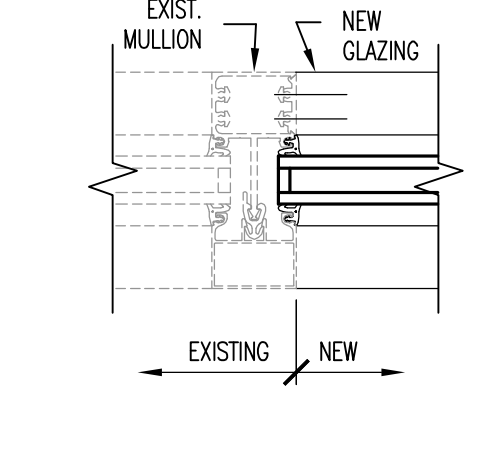
2 DOOR JAMB DETAIL A603 3" = 1'-0"



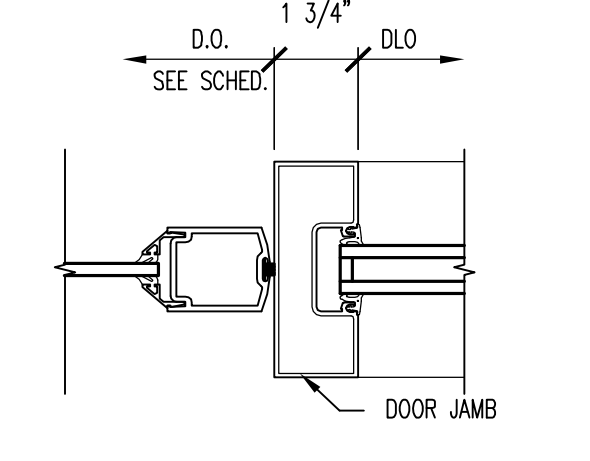
5 JAMB DETAIL A603 3" = 1'-0"



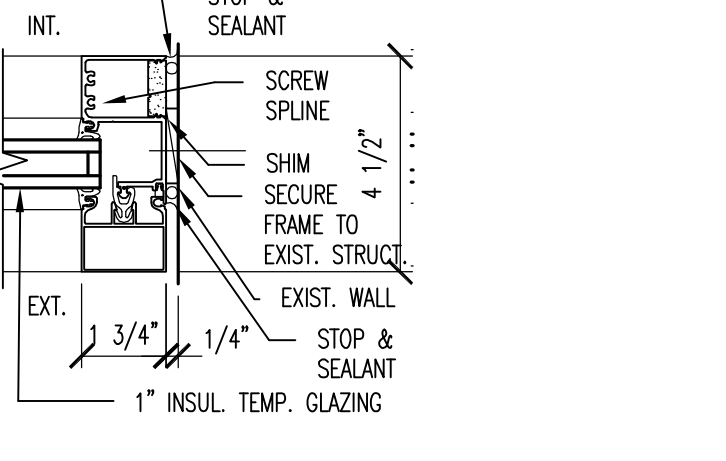
6 JAMB DETAIL A603 3" = 1'-0"



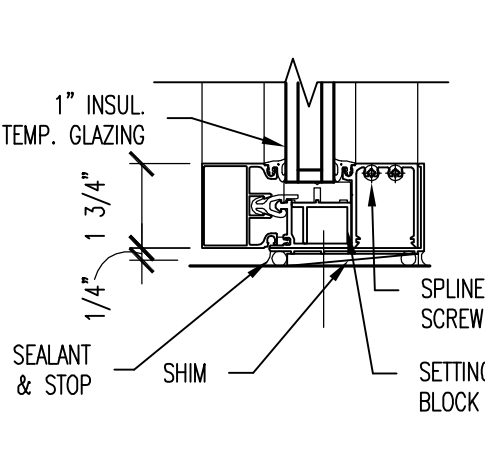
7 JAMB DETAIL A603 3" = 1'-0"



3 DOOR JAMB DETAIL A603 3" = 1'-0"



8 JAMB DETAIL A603 3" = 1'-0"



9 SILL DETAIL A603 3" = 1'-0"

N.J. A105415 N.Y. 11339

CT. 09009 PA. B 6580

Noel S. Musial, A.I.A.

The Drawings, Specifications and other documents prepared by The Architect for this project are instruments of the Architect's service for use solely with respect to this project and the Architect shall be deemed the author of statutory and other reserved rights, including copyright. The owner shall be permitted to reproduce copies, including reproducible copies, of the Architect's drawings. Specifications or other documents shall not be used by the Owner or others on other projects, for additions to this Project or for completion of this Project by others, unless the Architect agrees in writing and with appropriate compensation to the Architect.

Submission or distribution of documents to meet official regulatory requirements or for similar purposes in connection with the Project is not to be construed as publication in derogation of the Architect's reserved rights.

These drawings may not be reproduced by any means without the express written consent of the architect.

EACH CONTRACTOR SHALL THOROUGHLY EXAMINE AND BECOME FAMILIAR WITH ALL CONTRACT OCCASIONS FOR THE PROJECT AND NOT LIMIT THEIR WORK TO DRAWINGS REFERRED FOR INDIVIDUAL TRADES.

© Copyright 2016 BUSINESS PROPRIETARY INFORMATION

Union County College

LESSNER FIRST FLOOR ADDITION & FIRST FLOOR & LOWER LEVEL REHABILITATION

Lessner Building Elizabeth Campus

12 West Jersey Street Elizabeth, NJ 07202

THE MUSIAL GROUP ARCHITECTURE

191 Mill Lane Mountainside, NJ 07092
t. 908.232.2860
f. 908.232.2845
e. studio@themusialgroup.com

March 2016

Revision Number	Revision Description	Revision Date
△1	ADDENDUM # 1	04/05/2016
△2	ADDENDUM # 2	04/11/2016
△3	REVISION # 3	10/31/2016

Scale: as noted

Drawn by: AMB

Checked by:

108813

WINDOW & STOREFRONT TYPES & DETAILS

A603

P:\1100-1099\108813 1st Floor Add_10.11.16.dwg; P:\1100-1099\108813 1st Floor Add_10.11.16.dwg; P:\1100-1099\108813 1st Floor Add_10.11.16.dwg