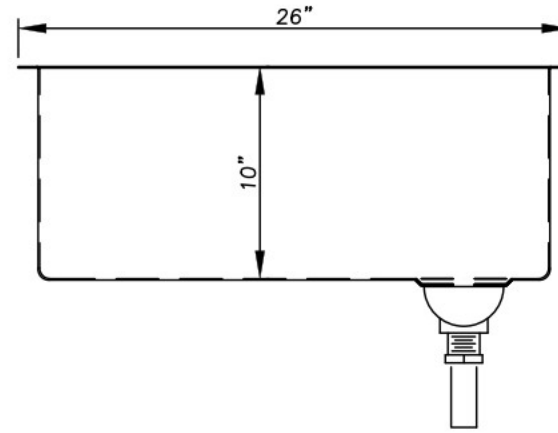
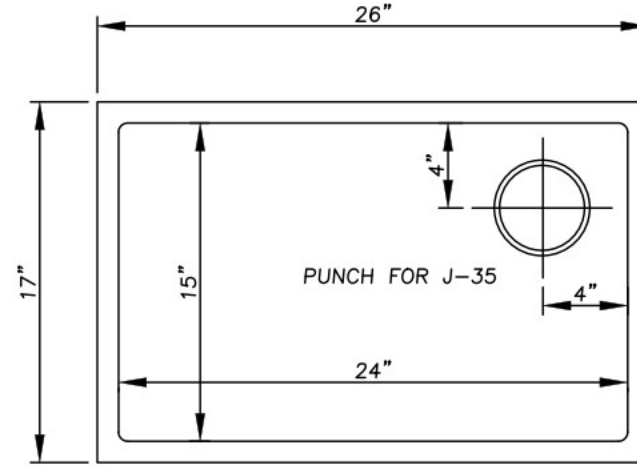


J#-S2



14ga. STAINLESS STEEL SINK TYPE 316 #4 FINISH

DATE	REV. NO.	DESCRIPTION	DWN CHK	DATE	REV. NO.	DESCRIPTION	DWN CHK

THIS DRAWING IS THE PROPERTY OF
KEWAUNEE®
 Scientific Corporation
 2700 WEST FRONT STREET
 STATESVILLE, N.C. 28677
 704-873-7202

JOB NAME
 NEW JERSEY INS. OF TECHNOLOGY
 LIFE SCIENCE AND ENGINEERING BUILDING
 NEWARK, NJ
 150750

DRAWN 11/20/19 LRW
 SCALE 1/2" = 1'-0"

DRAWING TITLE
 FIXTURE 2

DRAWING NUMBER
 DET-05

APPROVAL OF THIS DRAWING CONSTITUTES ITS ACCEPTANCE AS REPRESENTATIVE OF KSCC'S CONTRACTUAL REQUIREMENTS