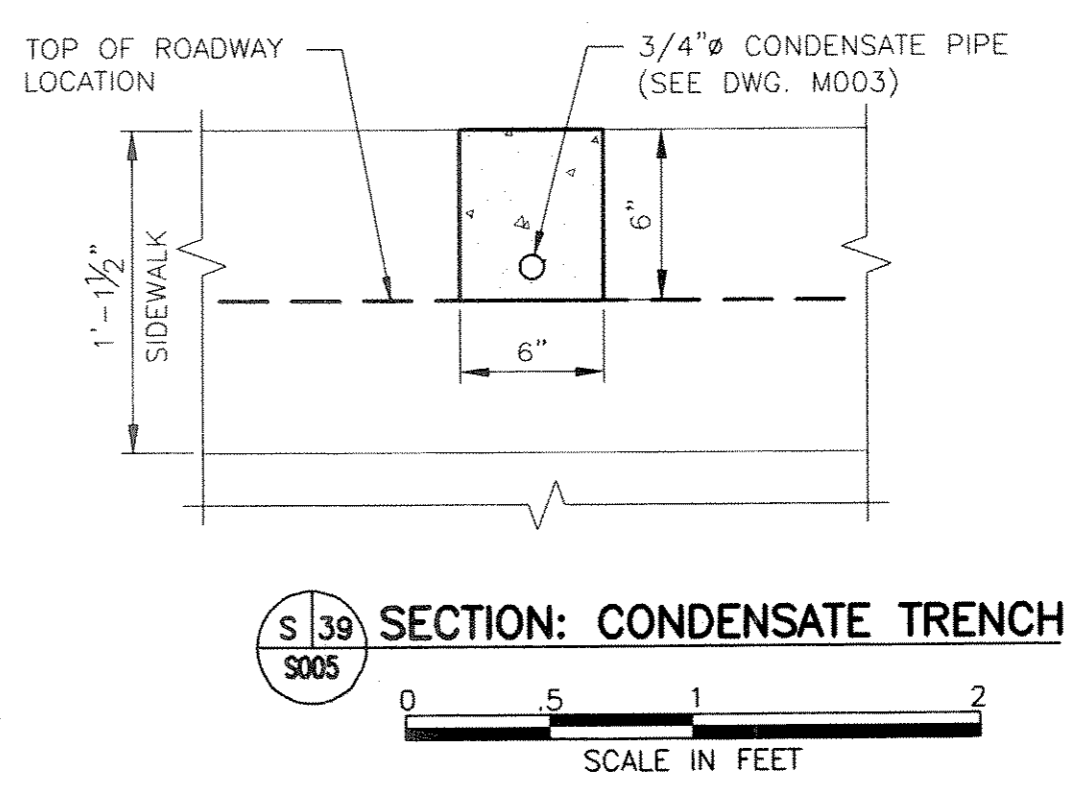
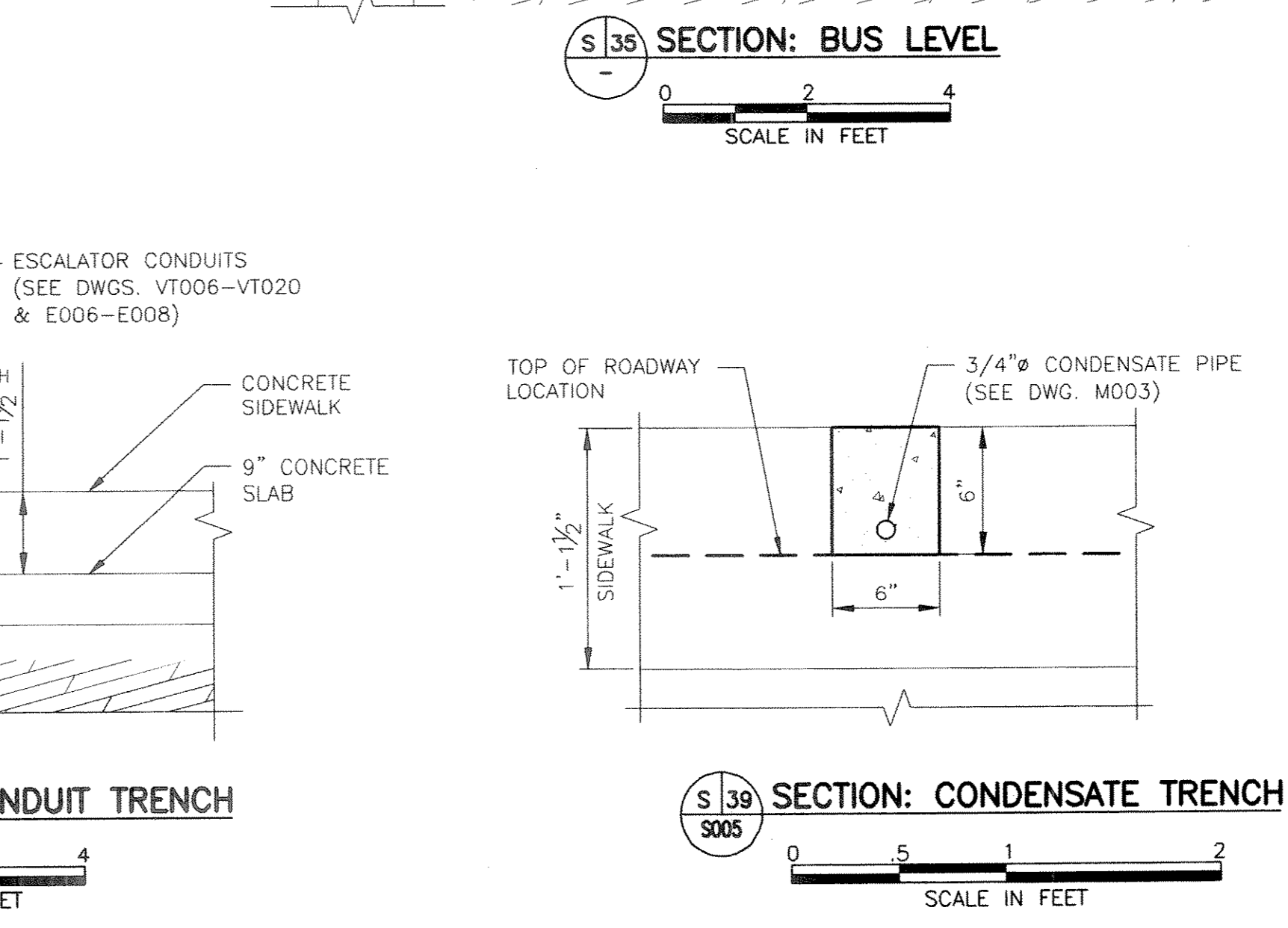
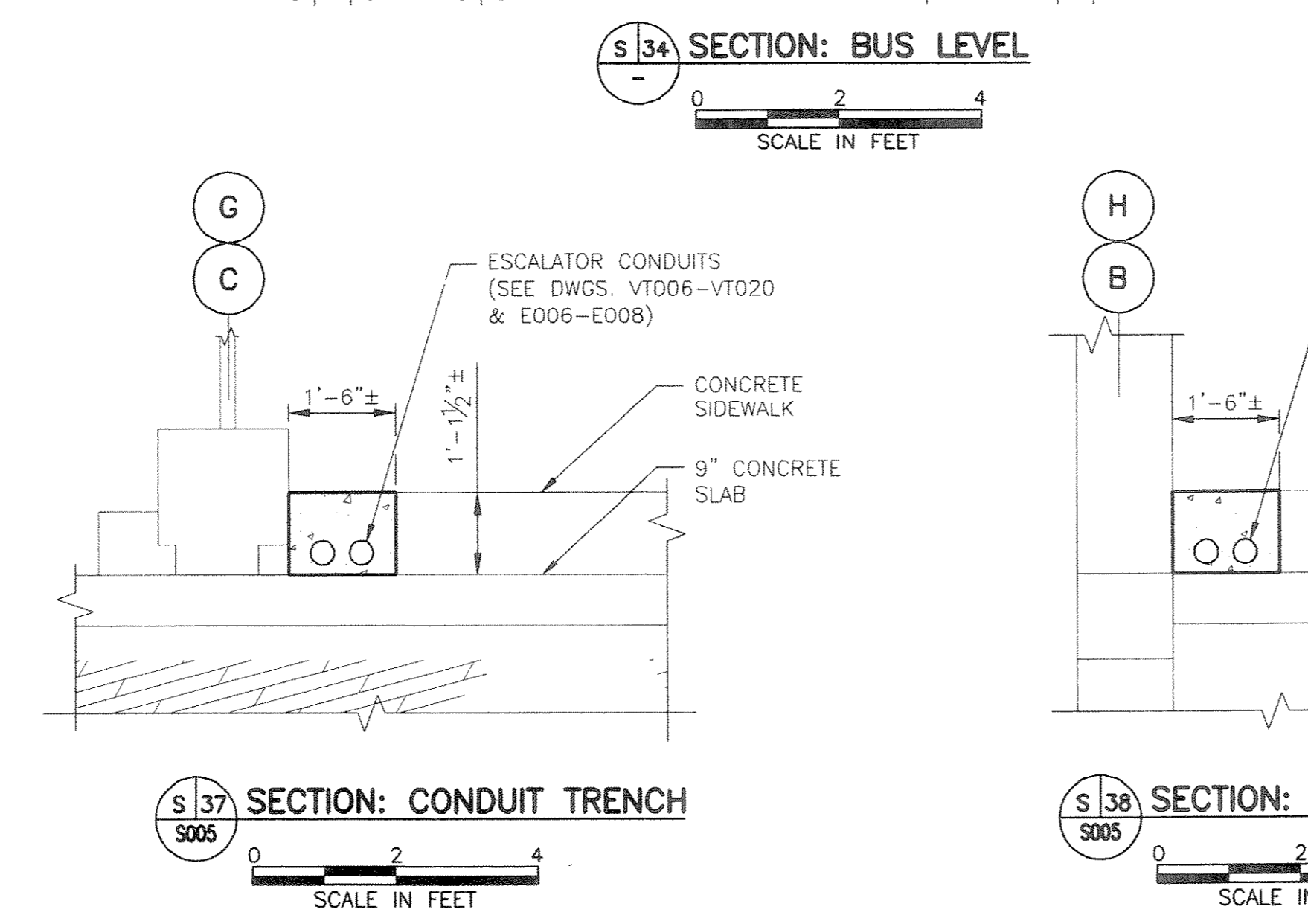
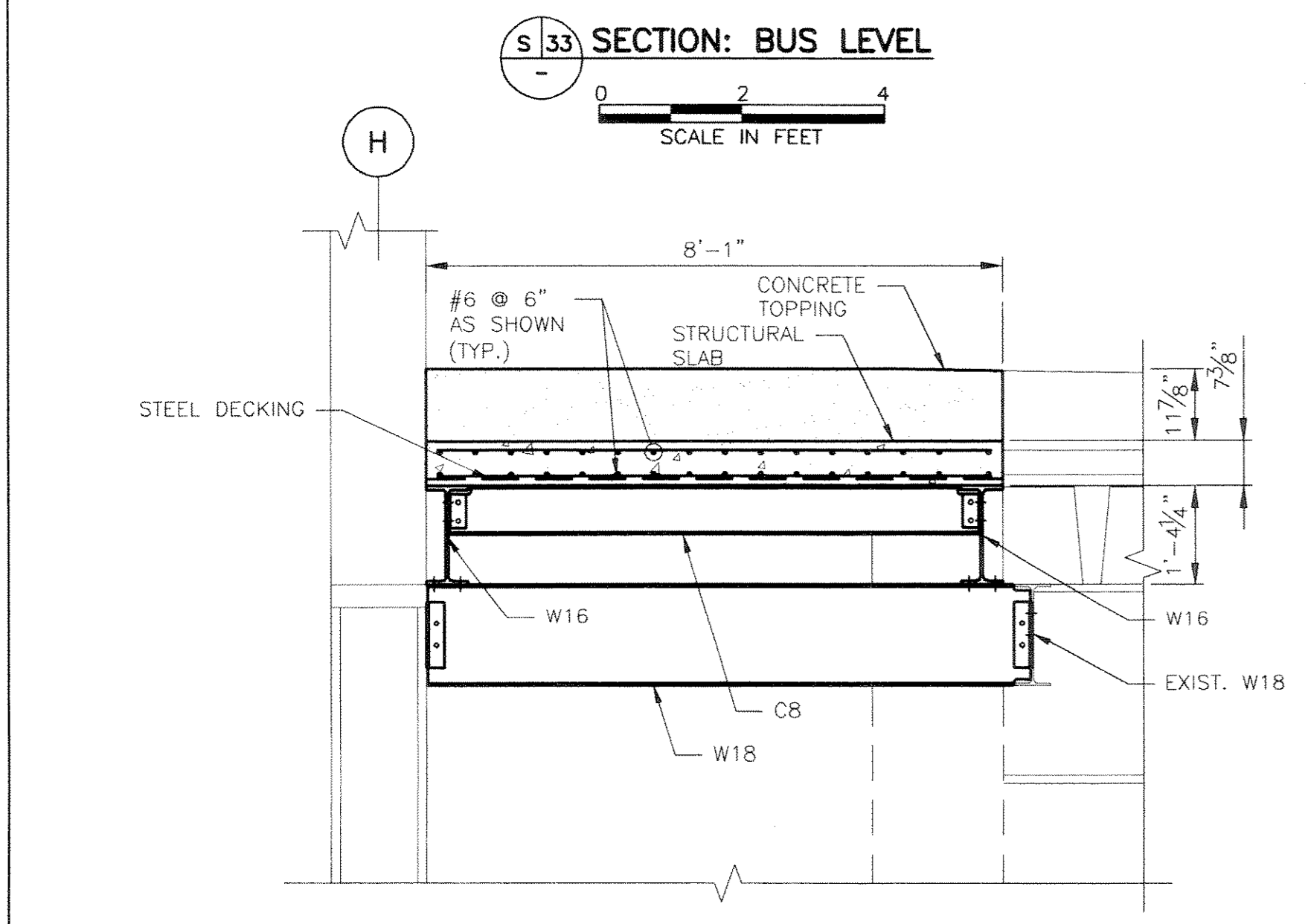
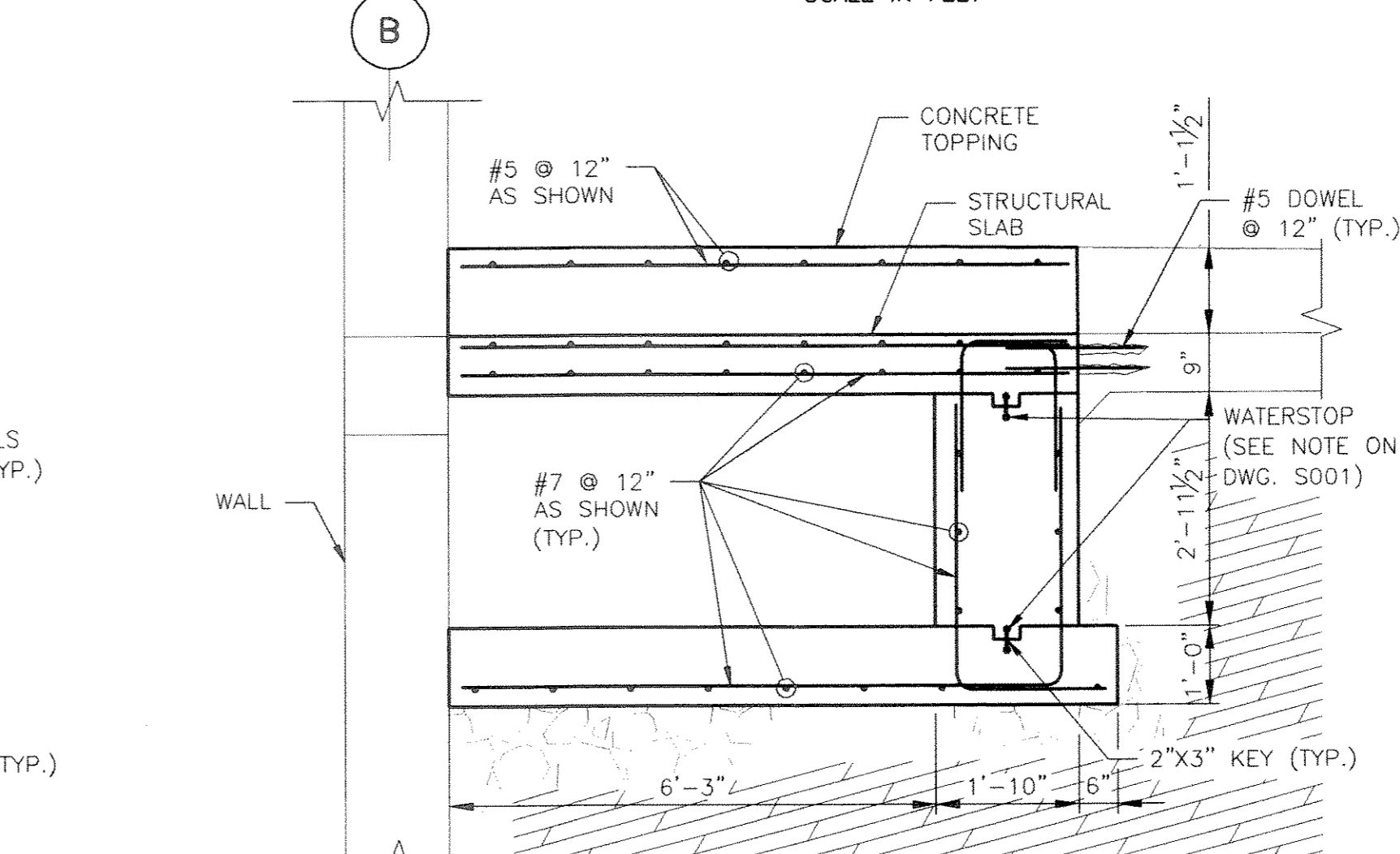
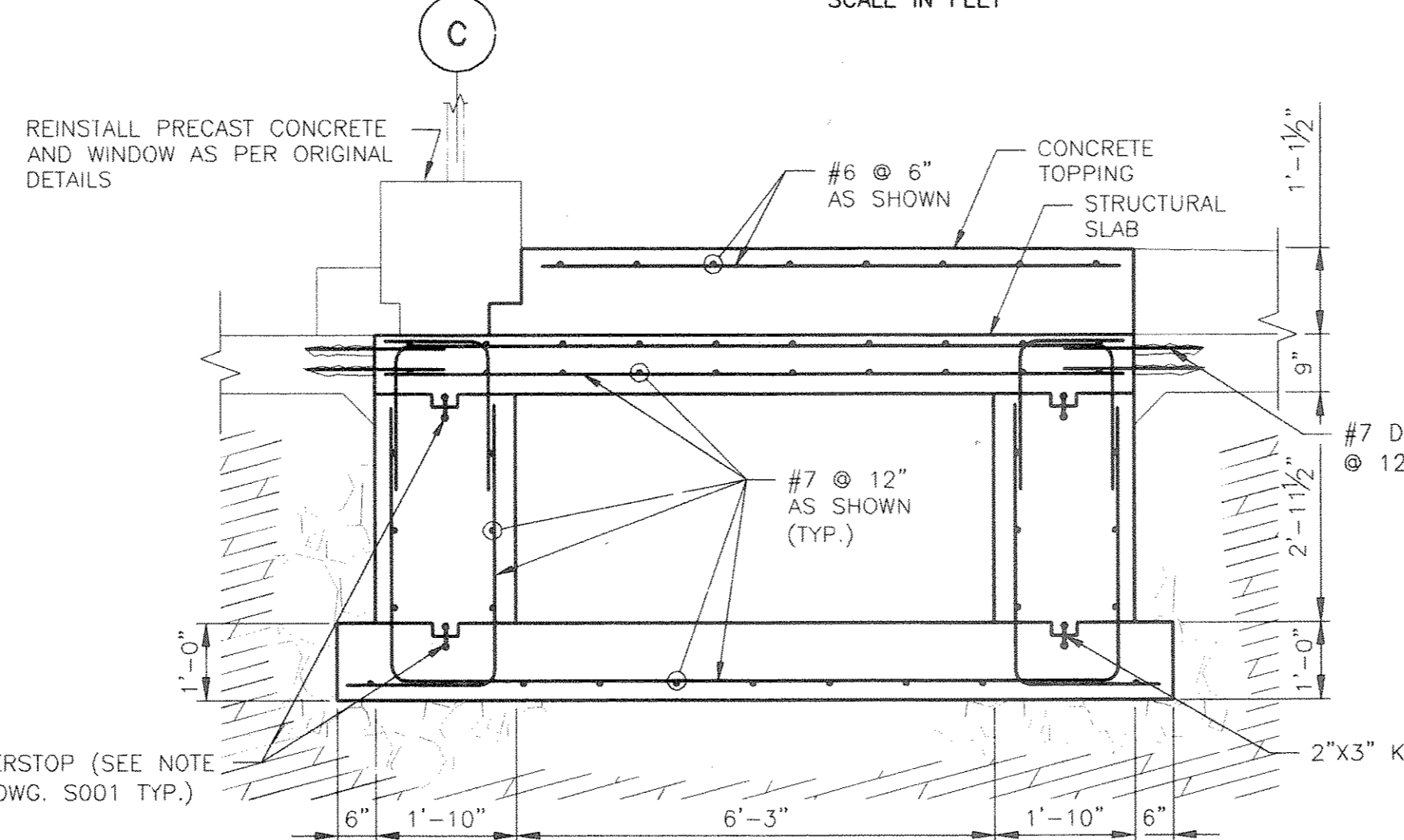
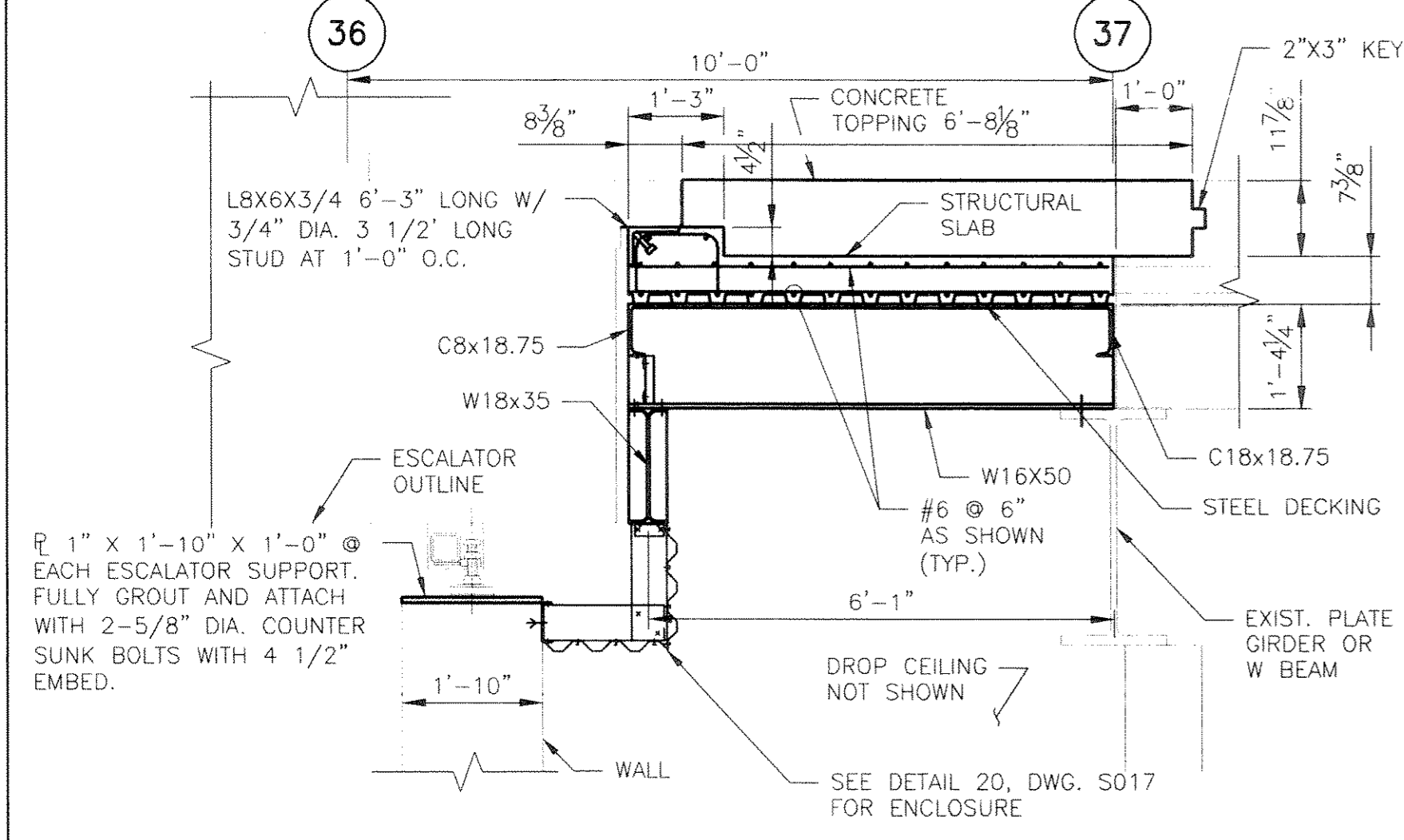
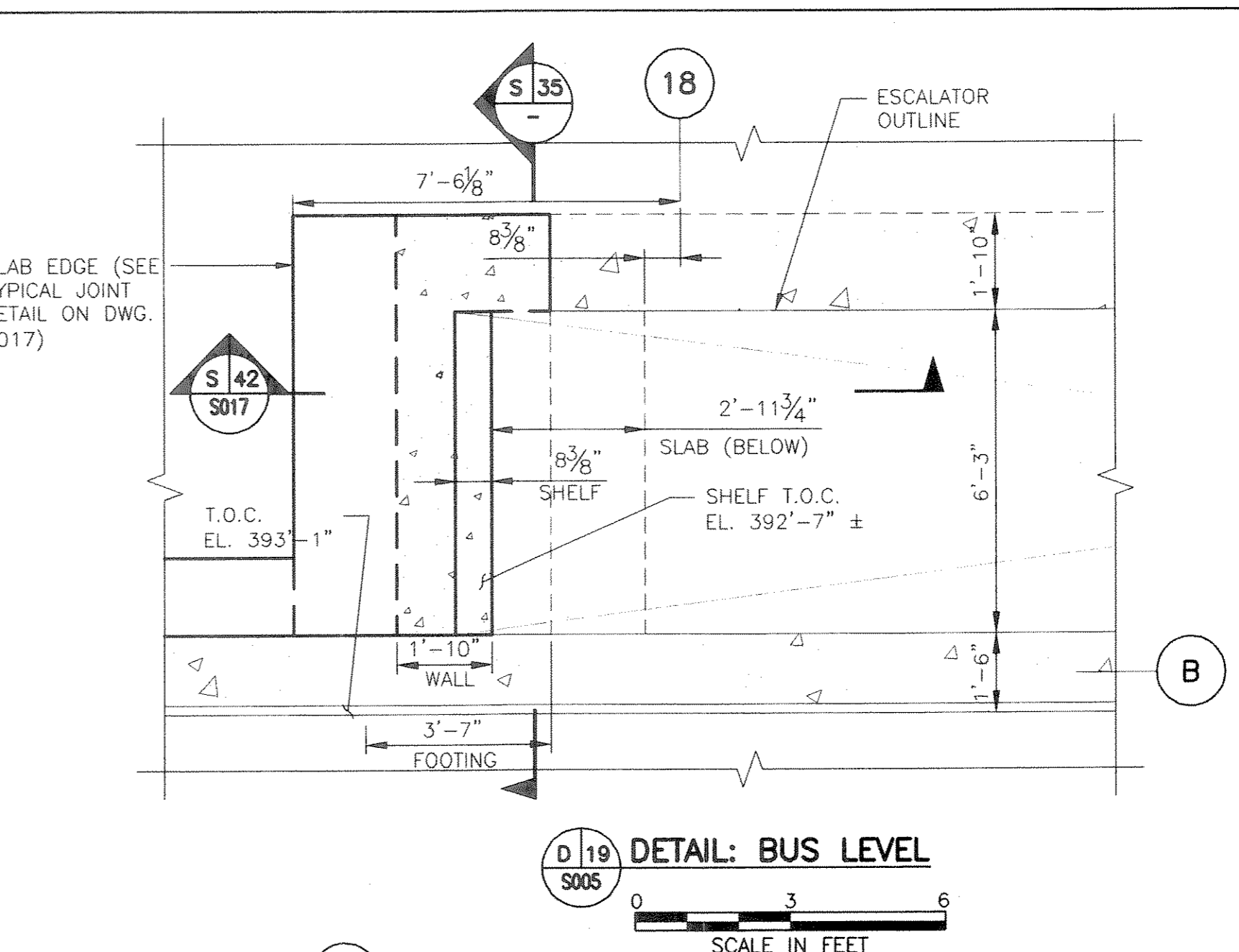
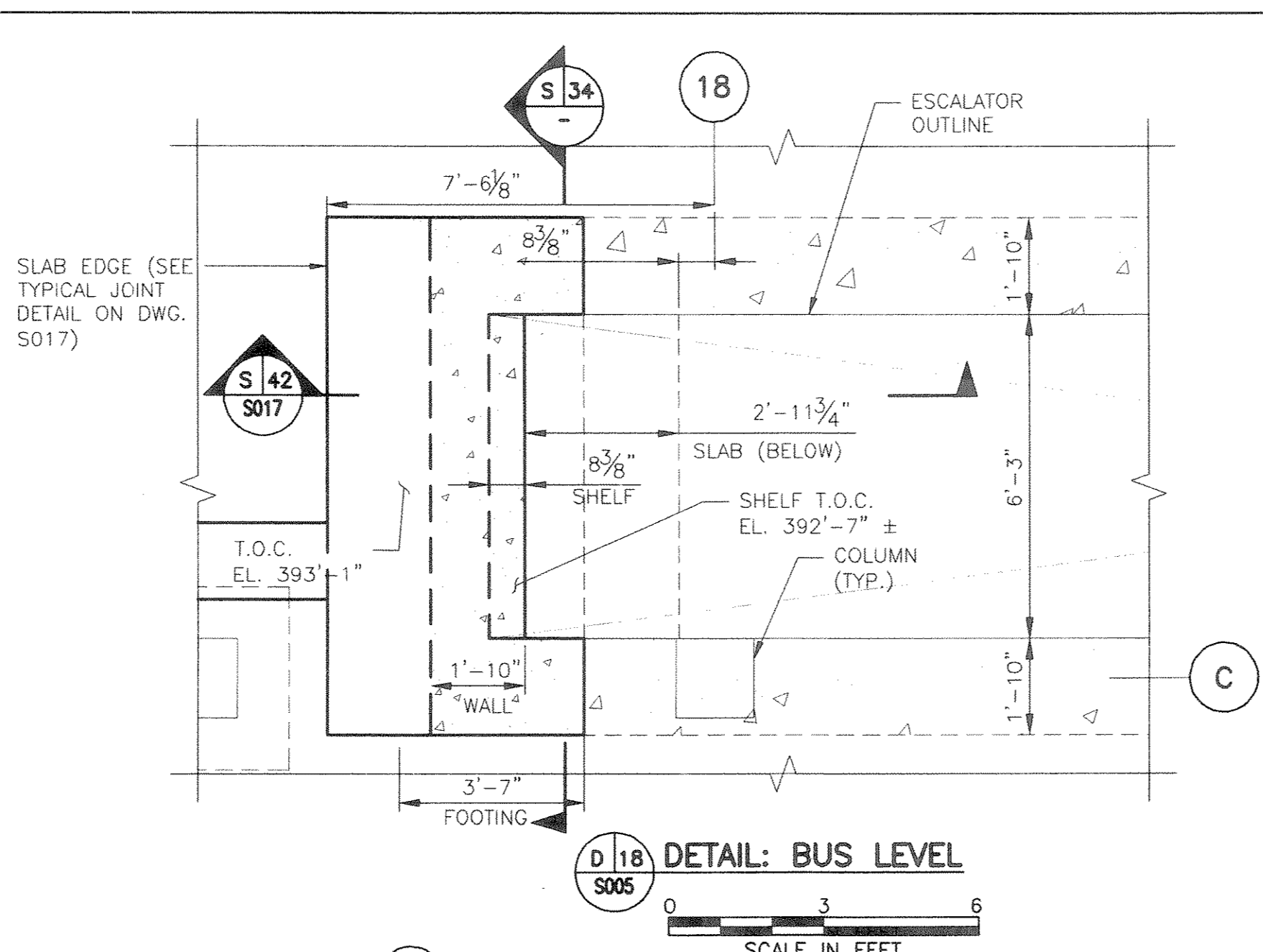
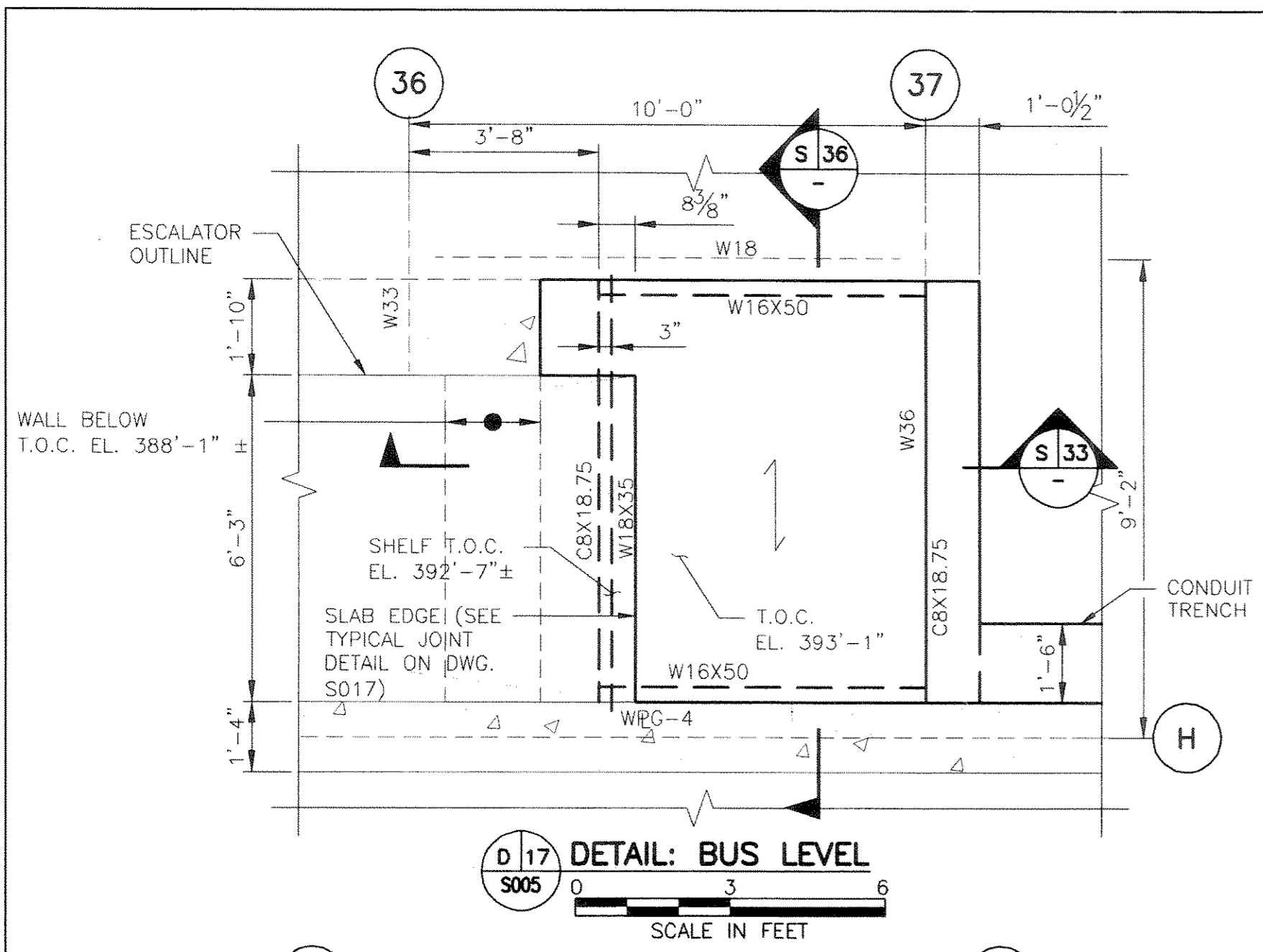


PORT AUTHORITY
TRANS-HUDSON CORPORATION

GANNETT FLEMING, P.C.
ENGINEERS AND ARCHITECTS

John D. Purdy
JOHN D. PURDY
N.J. Professional Engineer # 246GE03967100



NOTE
1. FOR PLATE GIRDER DIMENSIONS, SEE DWG. S001.

| No. | Date | Revision | Approved |
|------------------------|------|----------|----------|
| ENGINEERING DEPARTMENT | | | |
| JOURNAL | | | |
| SQUARE | | | |
| TRANSPORTATION | | | |
| CENTER | | | |

STRUCTURAL
Title
BUS TERMINAL ESCALATOR REPLACEMENT

BUS LEVEL SECTIONS AND DETAILS - II

This drawing subject to conditions in contract. All inventions, ideas, designs and methods herein are reserved to Port Authority and may not be used without its written consent. All recipients of Contract documents, including owners and those who do not but are their prospective subcontractors and suppliers who may receive all or a part of the Contract documents or copies thereof, shall make every effort to ensure the secure and appropriate disposal of the Contract documents to prevent further disclosure of the information contained in the documents. Secure and appropriate disposal includes methods of document destruction such as shredding or arrangements with refuse handlers that ensure that third persons will not have access to the documents' contents either before, during, or after disposal. Documents may also be returned for disposal purposes to the Contract Dept. on the 3rd Floor, 3 Gateway Center, Newark, NJ 07102 or the office of the Director of Procurement, One Madison Avenue, 11th Floor, New York, NY 10017.

J. Villa J. Villa R. Acoury
Designed by Drawn by Checked by

Date 11/17/2008

Contract Number **PAT-214.004**

Drawing Number **S016**
PID# 07957000