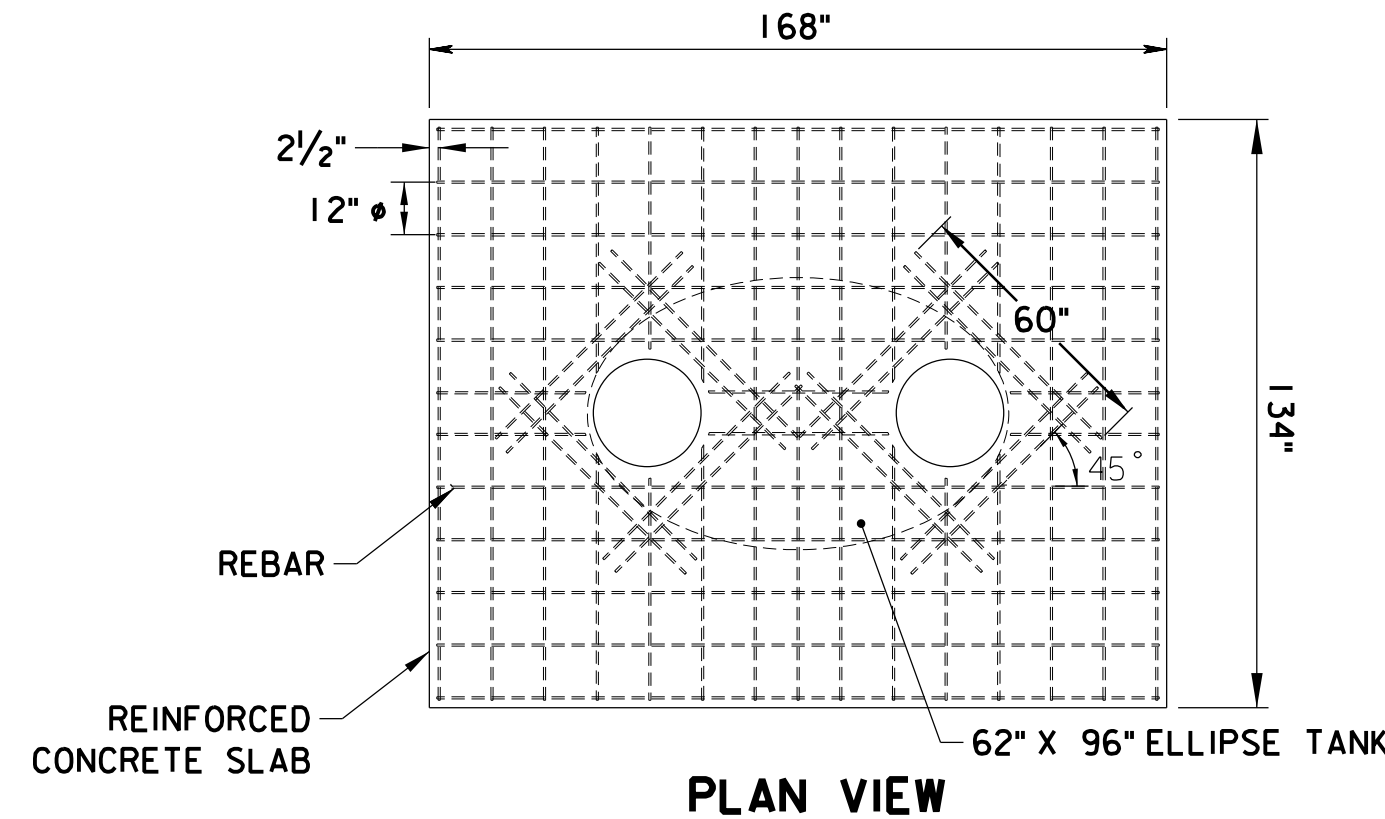


NOTE:
 TO BE PAID FOR UNDER 'PORTLAND CEMENT CONCRETE PAVEMENT, 8" THICK.'

CONCRETE APRON DETAIL

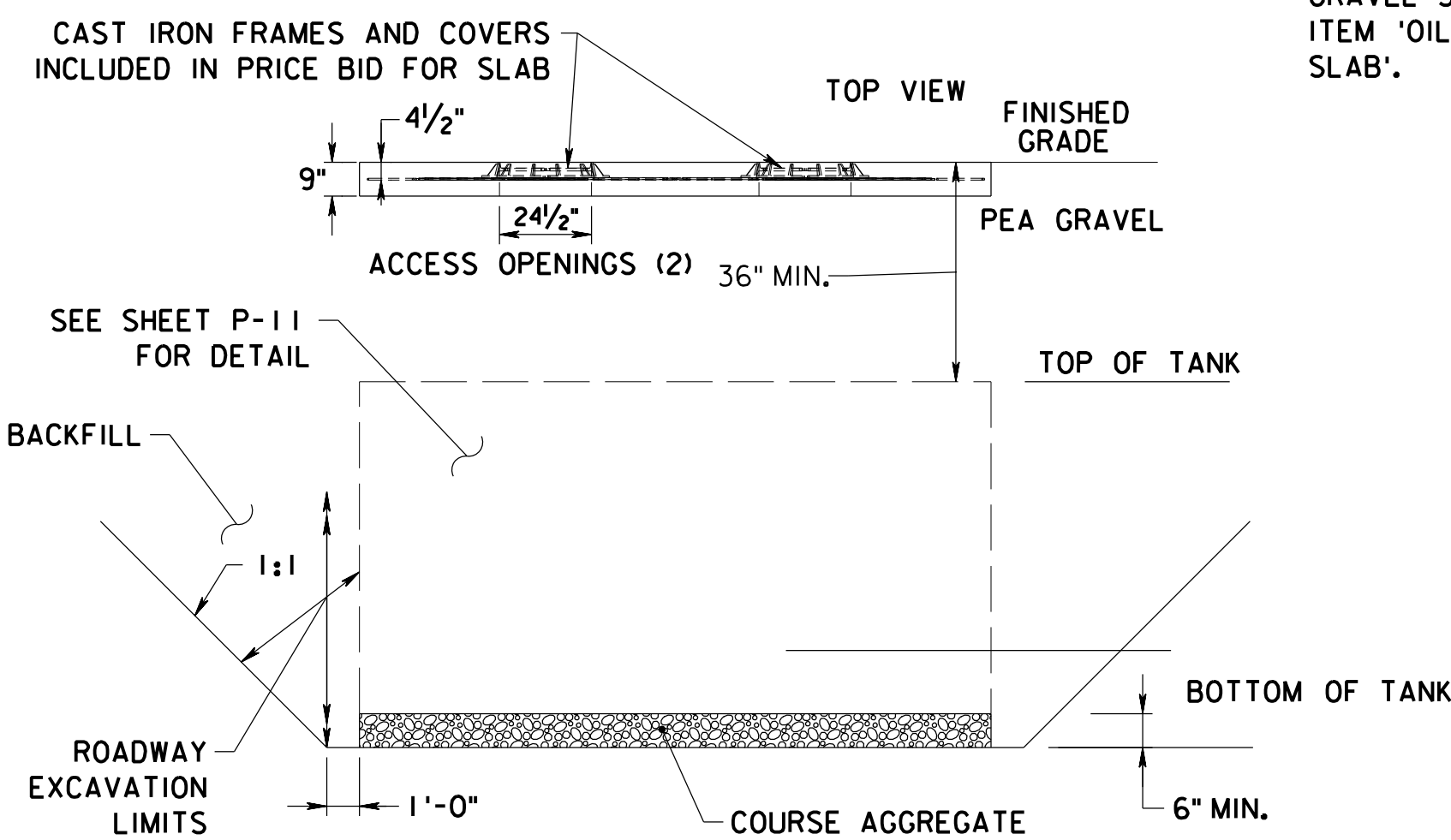
N.T.S.



PLAN VIEW

NOTES:

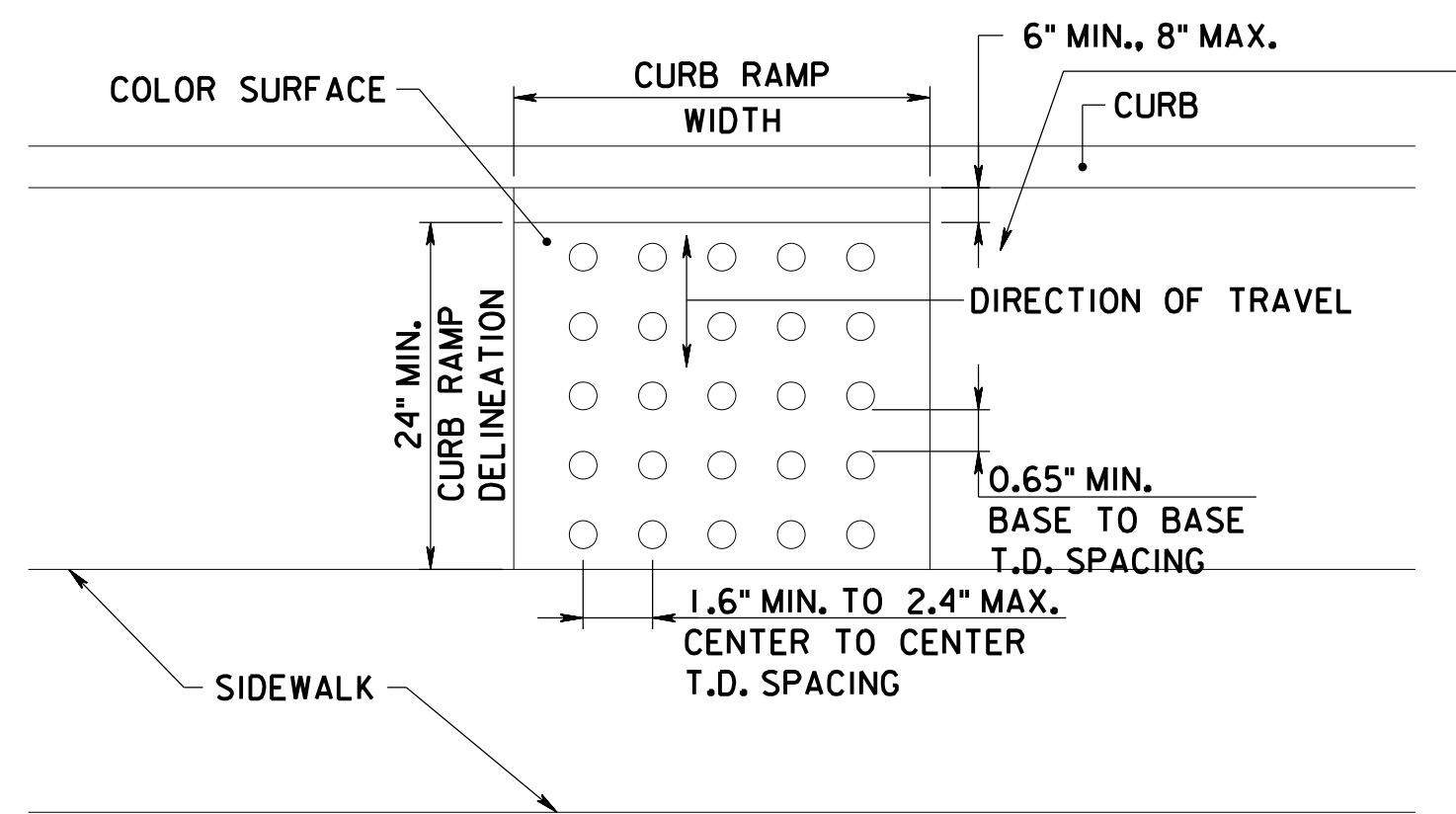
1. CONCRETE TO BE CLASS B (28 DAY COMPRESSIVE STRENGTH TO 4000 PSI).
2. No. 4 REBAR (1/2" DIA.) GRADE 60 STEEL PER ASTM A615; CONNECTED WITH TIE WIRE.
3. REBAR TO BE 2.5" FROM FACE OF CONCRETE.
4. REBAR DESIGN WILL REQUIRE A SIGNED AND SEALED SHOP DRAWING WITH CALCULATIONS FOR H2O LOADING FROM A NEW JERSEY PROFESSIONAL ENGINEER.
5. ALL PENETRATIONS TO BE SLEEVED OR HAVE SLIP CONNECTIONS.
6. MINIMUM 36" FROM TOP OF SLAB TO TOP OF TANK
7. EXTEND COMPACTED BACKFILL A MINIMUM 3' BEYOND ALL SIDES OF TANK.
8. ALL COSTS FOR CONCRETE, REBAR, MANHOLE FRAMES AND COVERS, AND GRAVEL SHALL BE PAID FOR UNDER THE ITEM 'OIL-WATER SEPARATOR CONCRETE SLAB'.



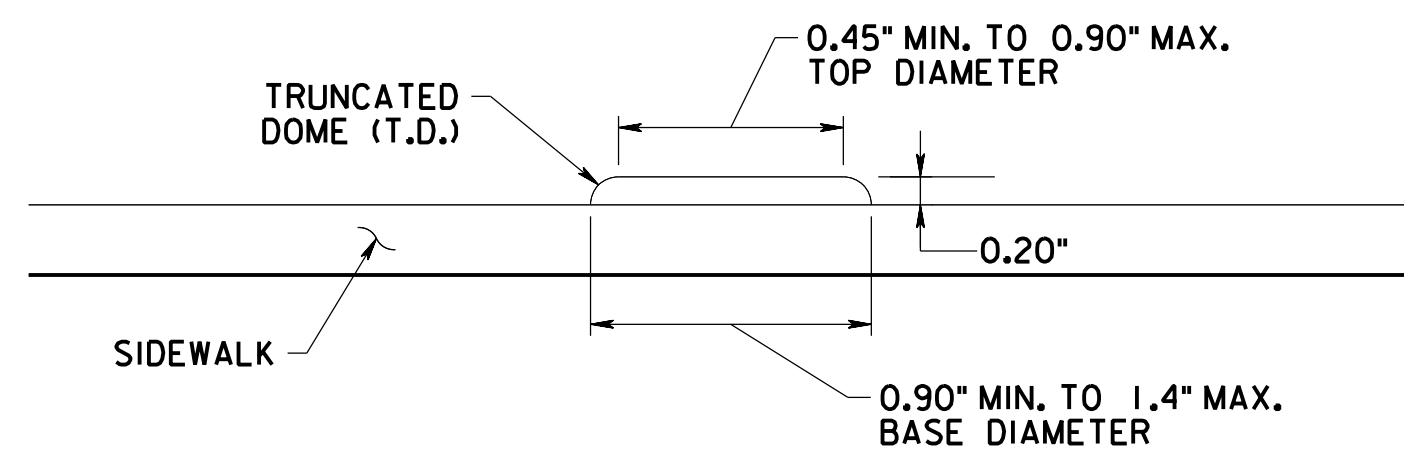
ELEVATION

OIL-WATER SEPARATOR SLAB

N.T.S.



PLAN VIEW



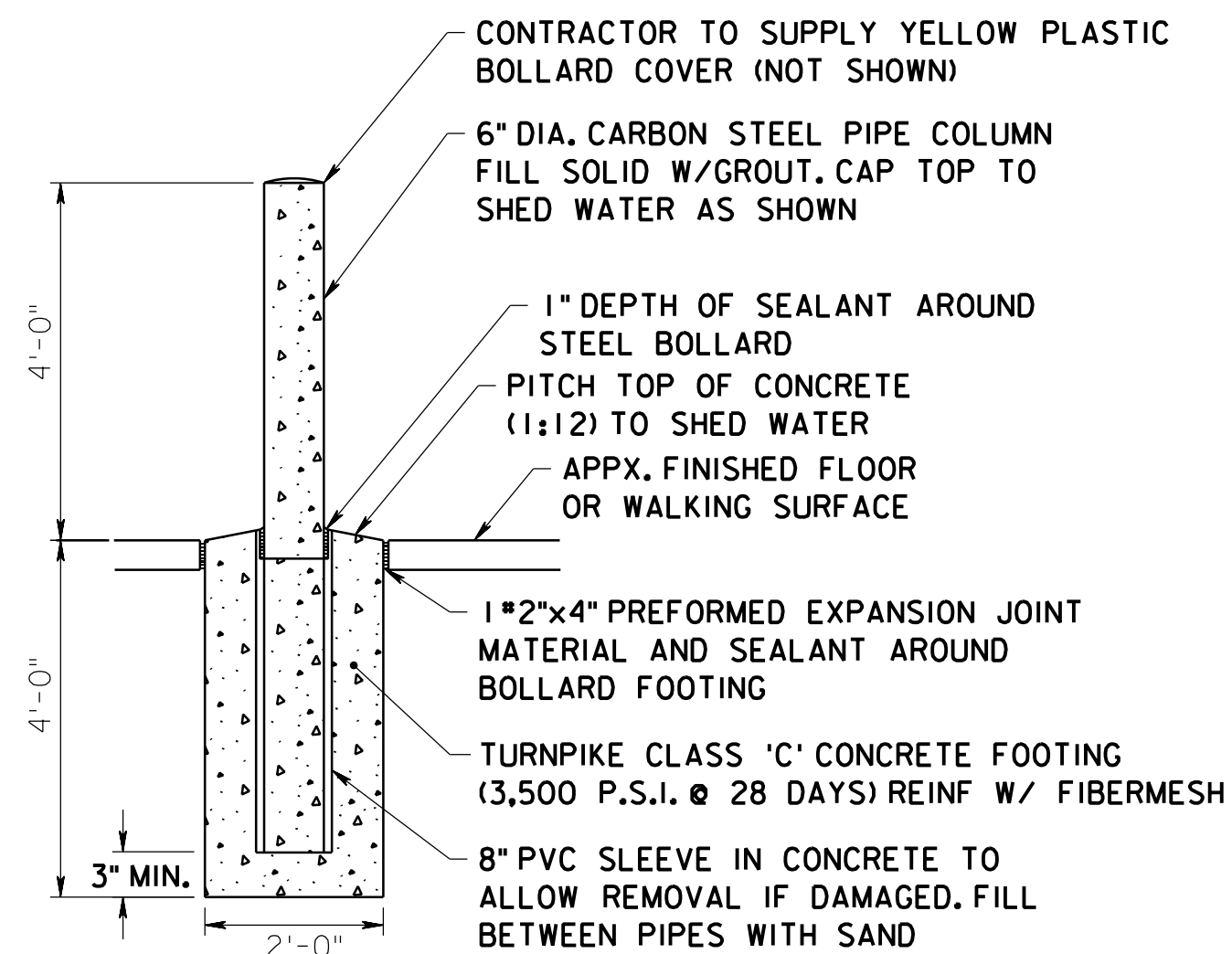
ELEVATION

NOTES:

1. TO BE PAID UNDER CONCRETE HANDICAP RAMP.
2. DETECTABLE WARNING SURFACE SHALL BE SAFETY RED COLOR ON CONCRETE OR 70% COLOR CONTRAST FOR OTHER SURFACE SUCH AS BRICK.
3. SEE NJTA 2009 STANDARD DETAIL CU-2 FOR CONCRETE HANDICAP RAMP DETAILS.

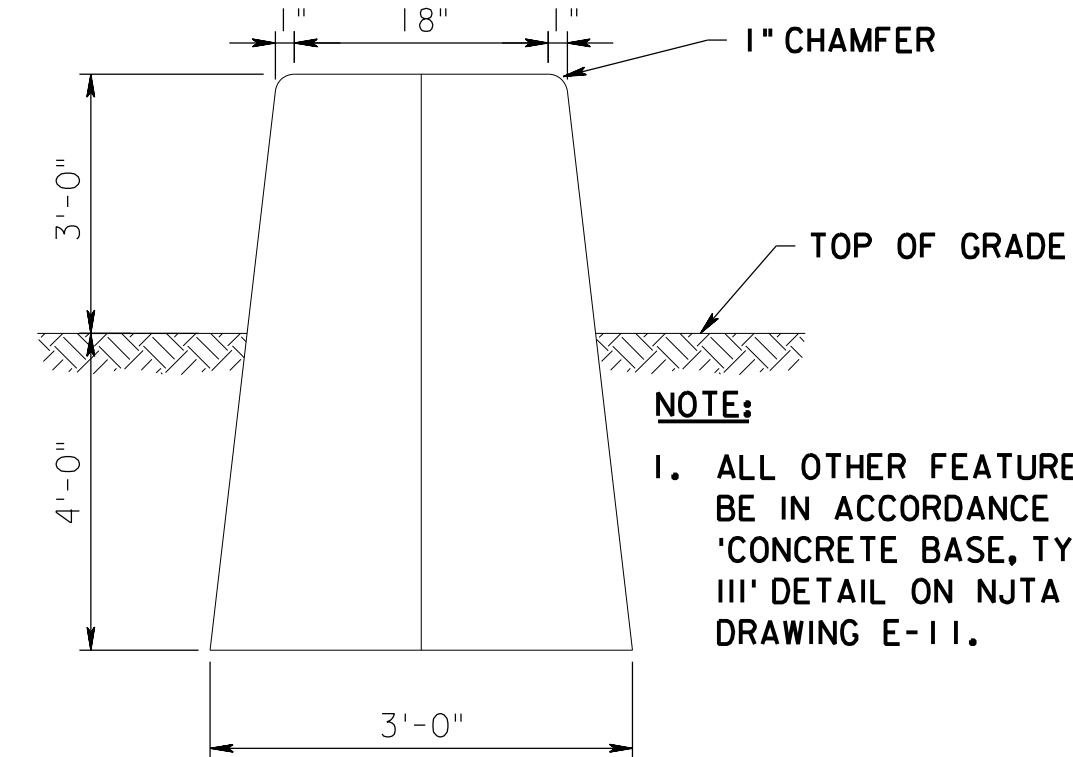
DETECTABLE WARNING SURFACE

N.T.S.



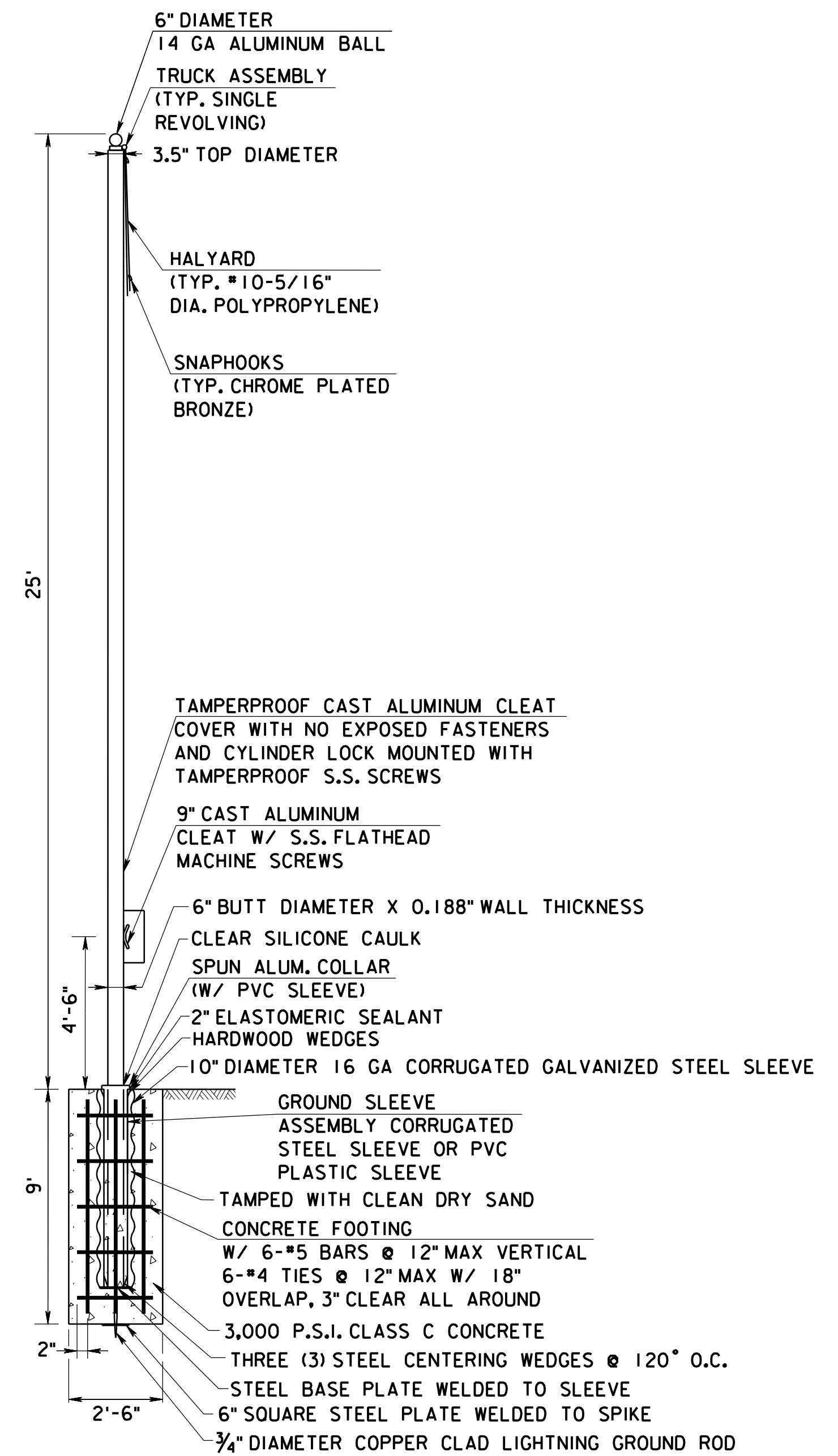
BOLLARD DETAIL

N.T.S.



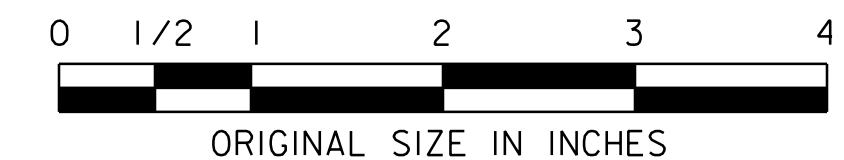
LIGHTING CONCRETE BASE DETAIL

N.T.S.



FLAGPOLE DETAIL

N.T.S.



NEW JERSEY TURNPIKE AUTHORITY
GARDEN STATE PARKWAY
 CONTRACT NO. P500.360 - FACILITIES IMPROVEMENT PROGRAM
 PMD5 (TELEGRAPH HILL) MP 116, PMD6 (CLARK) MP 136.7,
 PMD7 (CLIFTON) MP 156.1 AND PMD8 (PARAMUS) MP 164.2
 PMD5 (TELEGRAPH HILL)
 CONSTRUCTION DETAILS - 1

T.Y. LIN INTERNATIONAL
 3379 QUAKERBRIDGE ROAD, SUITE 200
 HAMILTON, NJ 08619
 CERTIFICATE OF AUTHORIZATION NO. 24GA27976000
 JAMES S. LESTER
 NEW JERSEY PROFESSIONAL ENGINEER LICENSE NO. 24GE03346000

SCALE: AS SHOWN
 DATE: MAY 2015

CD-1
 CD-8

25
 679

REV.	DESCRIPTION	DATE	BY	CHK.

FILE NAME: \\Ch-Sys-PWNET\j\com\TYLIP001\Documents\Projects\361163.00_NJTA\Drawings\Sheets\Telegraph Hill\P500_360_FD_0025.sht
 DATE: 4/28/2015 TIME: 1:51:43 PM USERNAME: BUSSEMANE

DESIGNED BY:	BY	DATE
MS	MS	2/2015
DRAWN BY:	MS	2/2015
CHECKED BY:	JSL	2/2015
SUPERVISOR:	JSL	