

The Drawings, Specifications and other documents prepared by the Architect for this project are instruments of the Architect's service for use solely with respect to this project and the Architect shall be deemed the author of statutory and other reserved rights, including copyright. The owner shall be permitted to relate copies, including reproducible copies, of the Architect's drawings, Specifications or other documents shall not be used by the Owner or others on other projects, for additions to this Project or for completion of this Project by others, unless the Architect agrees in writing and with appropriate compensation to the Architect.

Submission or distribution of documents to meet official regulatory requirements or for similar purposes in connection with the Project is not to be construed as publication in derogation of the Architect's reserved rights.

These drawings may not be reproduced by any means without the express written consent of the architect.

EACH CONTRACTOR SHALL THOROUGHLY EXAMINE AND BECOME FAMILIAR WITH ALL CONTRACT DOCUMENTS FOR THE PROJECT AND NOT LIMIT THEIR WORK TO DRAWINGS REFERENCED FOR INDIVIDUAL TRADES.

© Copyright 2016  
 BUSINESS PROPRIETARY INFORMATION

**Union County College**

**LESSNER FIRST FLOOR ADDITION & FIRST FLOOR & LOWER LEVEL REHABILITATION**

Lessner Building  
 Elizabeth Campus  
 12 West Jersey Street  
 Elizabeth, NJ 07202

**THE MUSIAL GROUP ARCHITECTURE**

191 Mill Lane  
 Mountainside, NJ 07092  
 t. 908.232.2860  
 f. 908.232.2845  
 e. studio@themusialgroup.com

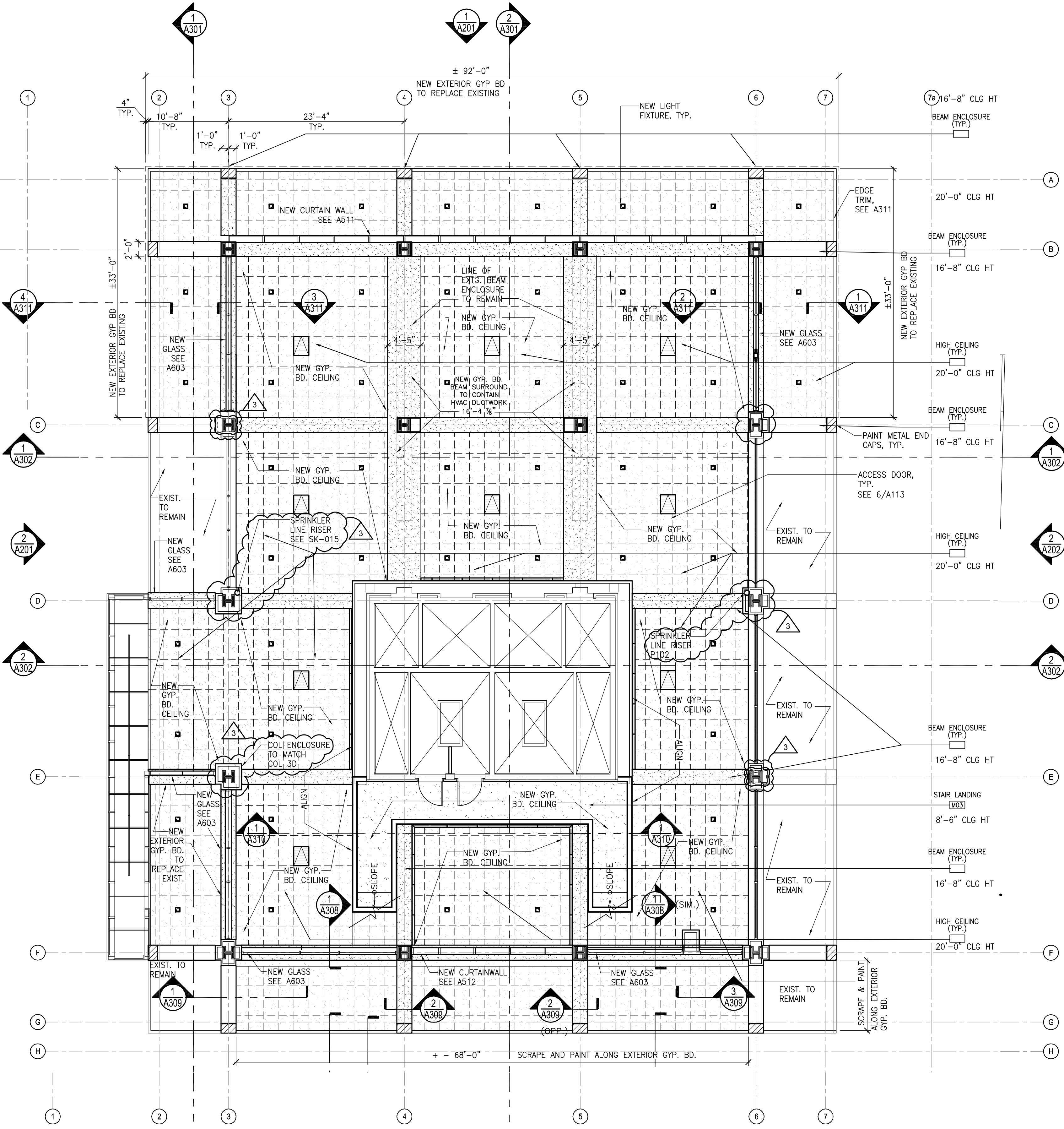
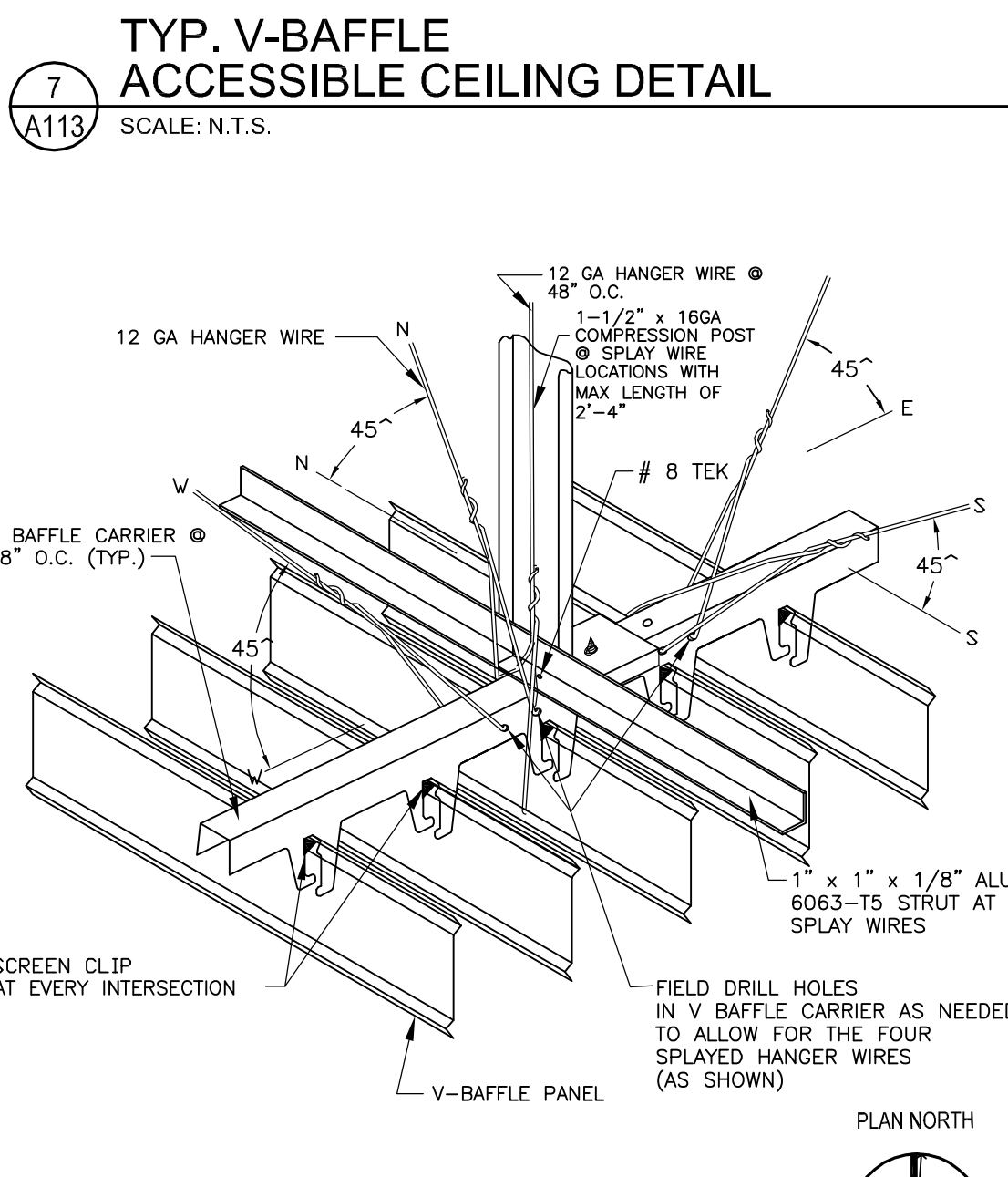
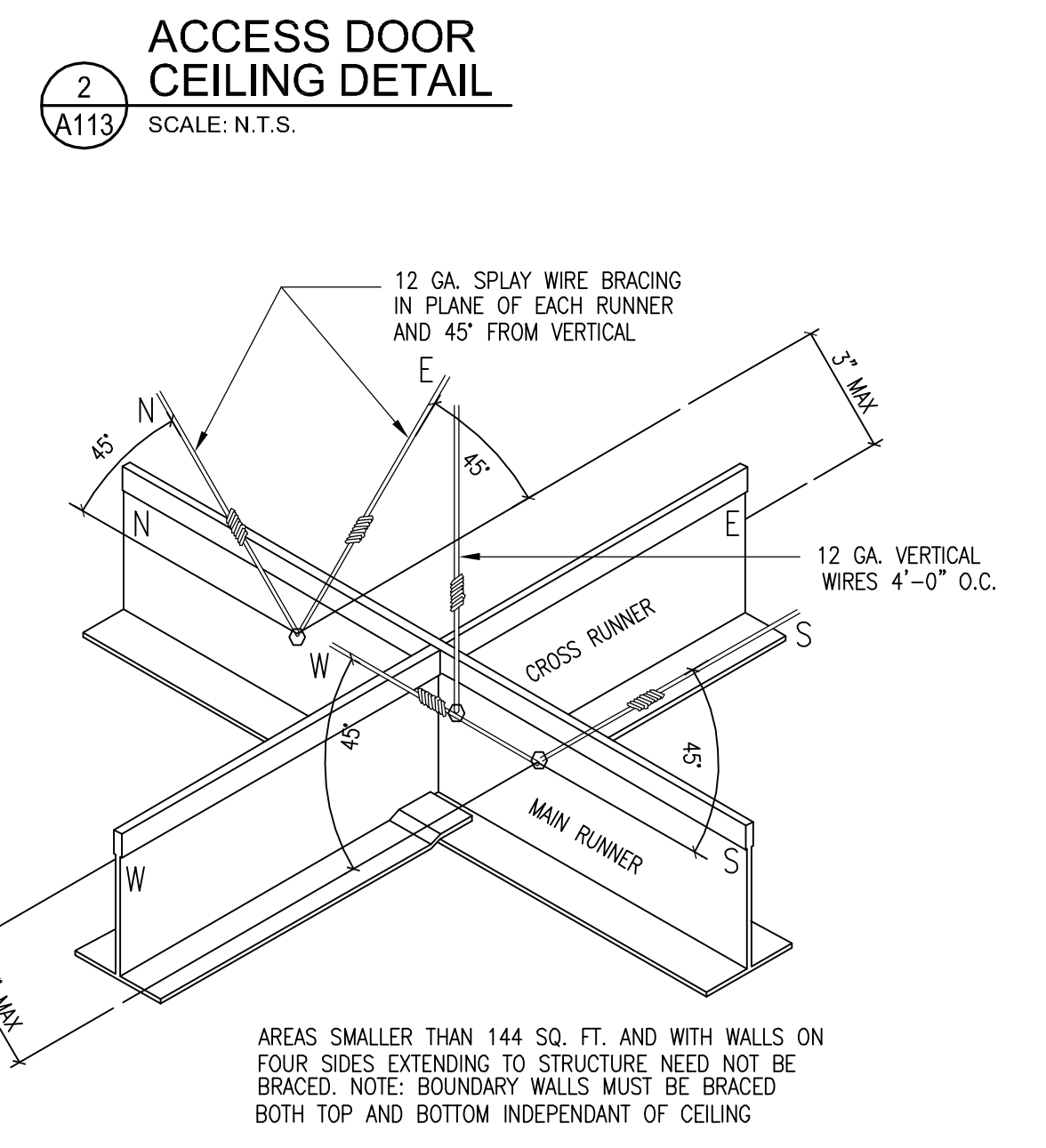
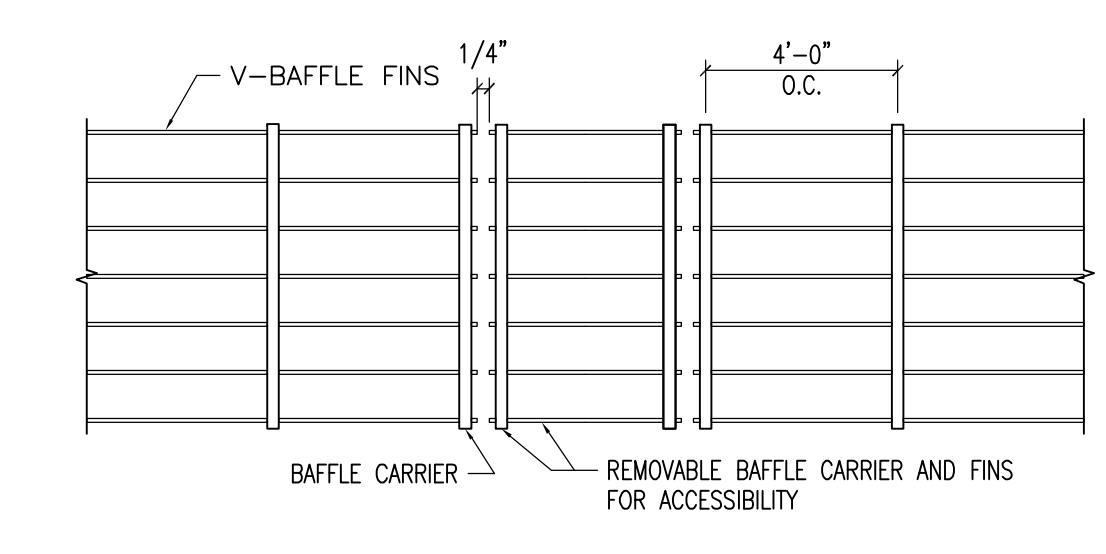
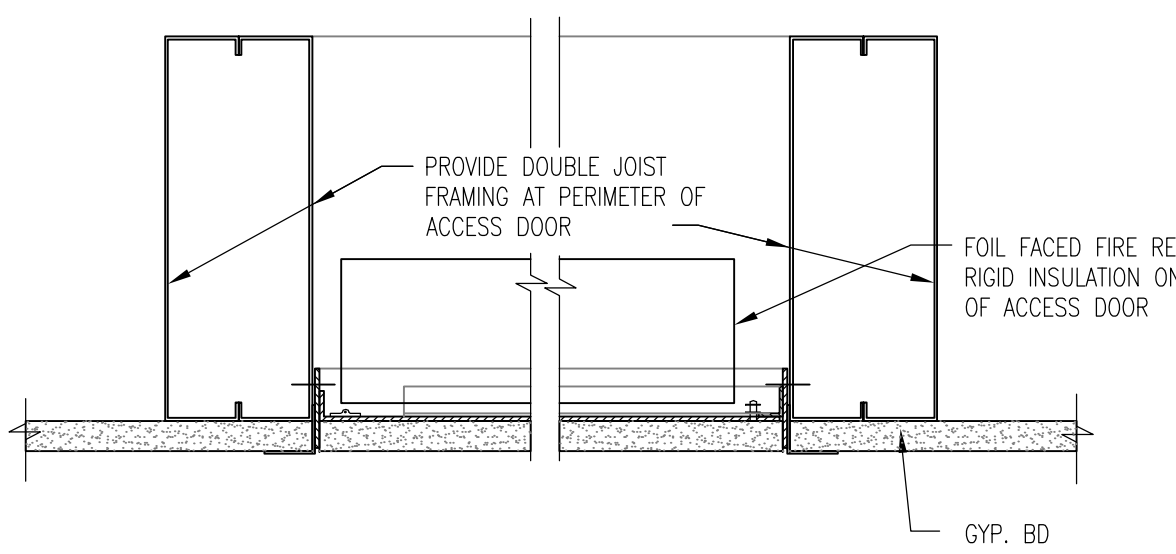
**NOTES – ALL CEILING SYSTEMS**

1. GYPSUM BOARD CEILING AND SUSPENSION GRID SHALL BE ADJUSTED AS REQUIRED TO ACCOMMODATE LIGHT FIXTURES AND ACCESS DOORS. COORDINATE WITH ALL CONTRACTORS.
2. SUSPENDED CEILING GRID SYSTEMS SHALL BE CENTERED WITHIN THE ROOM IN BOTH DIRECTIONS UNLESS NOTED OTHERWISE. COORDINATE WITH ARCHITECT FOR FINAL CEILING GRID LAYOUT.
3. FOR LIGHT FIXTURE TYPES, REFER TO LIGHTING DRAWINGS.
4. FOR SUPPLY AND RETURN AIR DIFFUSER TYPES, REFER TO HVAC DRAWINGS.
5. REFER TO FINISH SCHEDULE FOR CEILING HEIGHTS UNLESS NOTED OTHERWISE.
6. INSTALL SEISMIC RESTRAINTS AS REQUIRED BY BOCA SEISMIC HAZARD EXPOSURE GROUP 2.
7. EACH INDIVIDUAL FIXTURE AND ATTACHMENTS WITH A COMBINED WEIGHT OF 56 LBS. OR LESS SHALL HAVE TWO #12 GAGE WIRE HANGERS ATTACHED AT DIAGONAL CORNERS OF THE FIXTURE. THESE WIRES MUST BE SLACK. ANY FIXTURE AND ATTACHMENTS WITH A COMBINED WEIGHT GREATER THAN 56 LBS. MUST BE INDEPENDENTLY SUPPORTED FROM THE STRUCTURE.
8. THE MAIN RUNNER/ CROSS RUNNER INTERSECTIONS AND ALL GRID SPLICES MUST HAVE AN AVERAGE ULTIMATE TEST STRENGTH OF 60 LBS. OR MORE IN BOTH TENSION AND COMPRESSION. THE TENSILE TEST MUST ALLOW FOR A 5 DEGREE OFFSET OF THE CONNECTION IN ANY DIRECTION.
9. THE ACTUAL AVERAGE WEIGHT OF THE CEILING SYSTEM INCLUDING GRID, PANEL OR TILE, LIGHT FIXTURES, AND AIR TERMINALS MUST BE 2.5 LBS. PER SQUARE FOOT OR LESS. SERVICES MUST BE SUPPORTED INDEPENDENTLY FROM THE CEILING SYSTEM. DEVIATIONS OR VARIATIONS MUST BE SUBSTANTIATED BY VERIFIABLE ENGINEERING DATA.
10. THE CEILING SYSTEM CANNOT BE USED TO PROVIDE LATERAL SUPPORT FOR WALLS OR PARTITIONS. WALLS OR PARTITIONS MAY BE ATTACHED TO THE CEILING GRID PROVIDED THEY ALLOW THE CEILING MEMBRANE TO MOVE LATERALLY TO ACCOMMODATE THE REQUIRED CLEARANCE AS SPECIFIED BELOW.
11. ALL PERIMETER CLOSURE ANGLES OR CHANNELS MUST PROVIDE A SUPPORT LEDGE OF APPROXIMATELY 7/8 INCH OR GREATER. A TERMINAL END OF A GRID MEMBER (OR TILE) MUST REST ON THE LEDGE OR MOULDING WITH AT LEAST 3/8 INCH CLEARANCE FROM AN EDGE OR WALL. REVEAL (SHADOW) EDGE WALL CLOSURES SHOULD ACCOMMODATE THESE CLEARANCES. FOR PERIMETER CLOSURE ANGLES THAT PROVIDE A SUPPORT LEDGE OF LESS THAN NOTED ABOVE, THE TERMINAL EDGES OF EACH MAIN OR CROSS RUNNER SHALL BE INDEPENDENTLY SUPPORTED WITHIN 8 INCHES FROM EACH WALL OR CEILING DISCONTINUITY. THIS SUPPORT MAY BE A #12 GAGE HANGER WIRE OR OTHER SUPPORT THAT PREVENTS THE GRID FROM FALLING. THIS WIRE DOES NOT NEED TO BE VERTICAL, BUT SHOULD NOT HAVE A SLOPE GREATER THAN 1 IN 6 OUT-OF-PLUMB. A 3/8 INCH GRID END CLEARANCE FROM A WALL SHOULD BE MAINTAINED. ALL CEILING PENETRATIONS (COLUMNS, SPRINKLERS, ETC.) AND INDEPENDENTLY SUPPORTED FIXTURES OR SERVICES ARE TO BE CONSIDERED AS PERIMETER CLOSURES THAT ALSO MUST ALLOW THE NOTED CLEARANCES BY USING SUITABLE ESCUTCHEONS OR CLOSURE DETAILS.
12. AT WALL CLOSURE LEDGES, THE MAIN AND CROSS RUNNER ENDS SHALL BE PREVENTED FROM SPREADING APART FROM EACH OTHER. PERMANENT ATTACHMENT (IE. POP RIVETS) FOR GRID ALIGNMENT PURPOSES SHALL NOT BE PERMITTED.

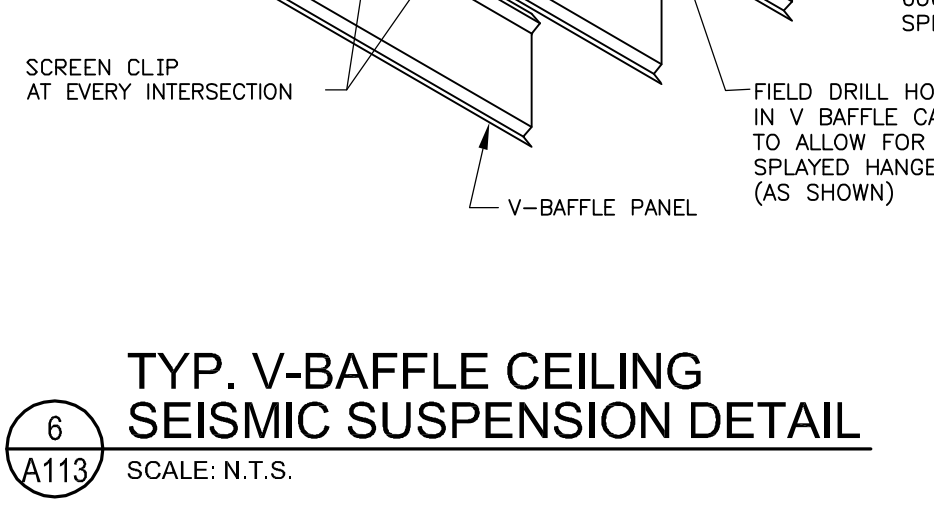
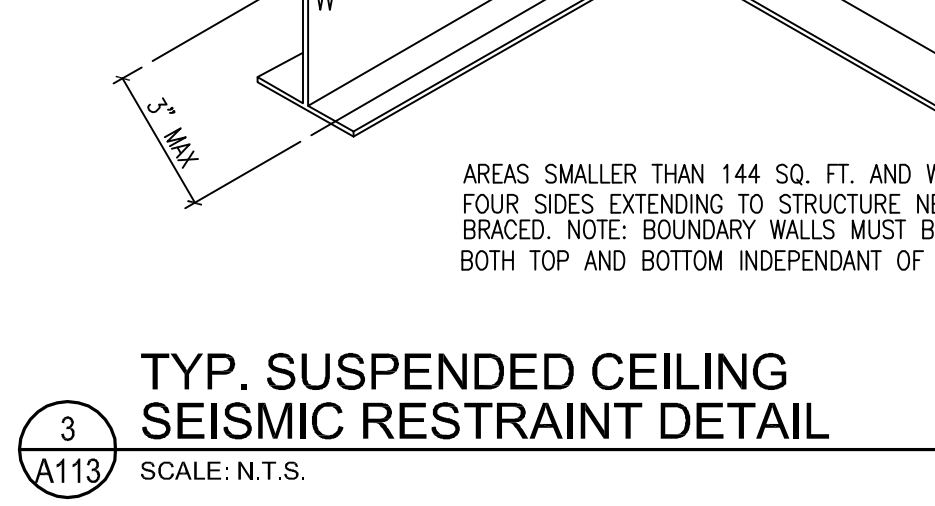
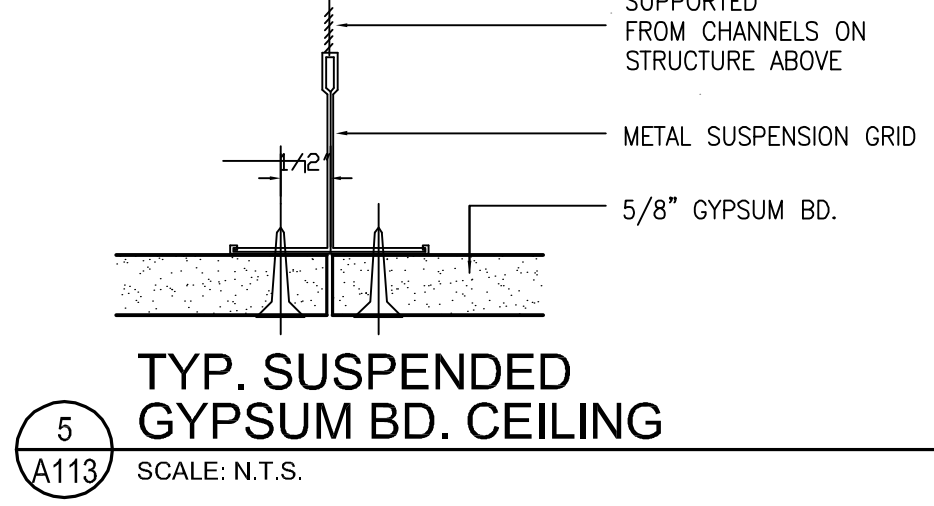
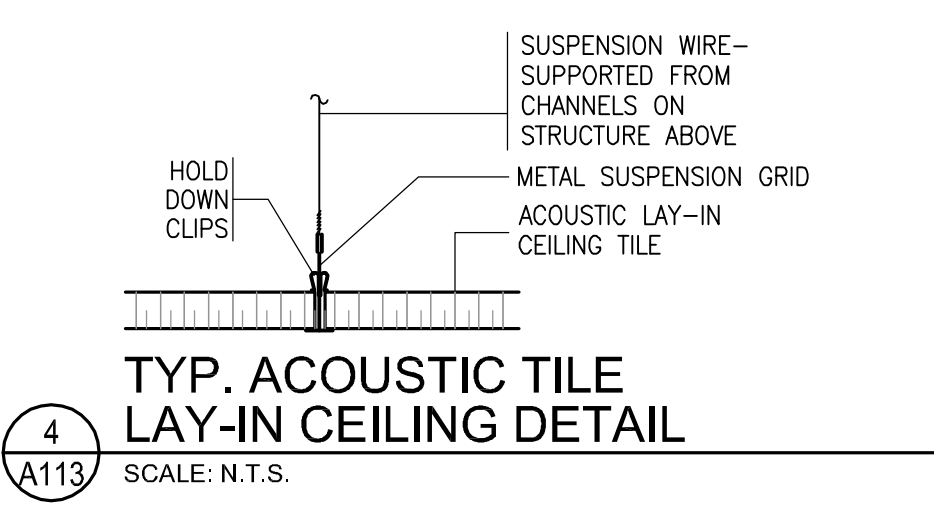
**LEGEND**

- TYPE 1 (Ultima 2x2) 9/16" Suprafine Grid
- TYPE 2 Gypsum Board Suspended Ceiling on 2'x4' Grid
- TYPE 3 Plaster Ceiling
- TYPE 4 Baffle Ceiling

- NEW LIGHTING FIXTURES. REFER TO LIGHTING FIXTURE SCHEDULE FOR SYMBOLS & DETAILS.
- SPRINKLER HEAD
- SUPPLY AIR DIFFUSER
- RETURN AIR DIFFUSER
- 24" x 30" ACCESS DOOR



**1 FIRST FLOOR REFLECTED CEILING PLAN - HIGH CEILING**  
 SCALE: 1/8" = 1'-0"



March 2016

Revision Number	Revision Description	Revision Date
1	ADDENDUM # 1	04/05/2016
2	ADDENDUM # 2	04/11/2016
3	REVISION # 3	10/31/2016

Scale: as noted  
 Drawn by: AMB  
 Checked by:

**108813**

**FIRST FLOOR REFLECTED CEILING PLAN - HIGH CEILING**

**A113**

ORIGINAL IF IT IS RED IT IS AN ORIGINAL

P:\1050-1090\108813\108813.dwg, 14.F1.Lessner Building - DOCUMENTS\SET1\108813A113.dwg, A113, 10/31/2016 4:55:32 PM