

DETAIL "A" AT GRID 6/B

PHOTO: B.S. x 11 PAPER

C/E/C CONSULTING ENGINEERS
COLLABORATIVE, INC.

730 BOULEVARD • KENILWORTH, NJ 07033
 908-298-1600 • 908-298-0702 FAX

UCC FIRST FLOOR & LOWER LEVEL RENOVATION
 12 WEST JERSEY ST. ELIZABETH, NEW JERSEY

TITLE **GRADE BEAM GRID LINE "B"**

DRAWN
TK

CHECKED
TK

DATE
11-01-16

DRAWING #

SK-S8

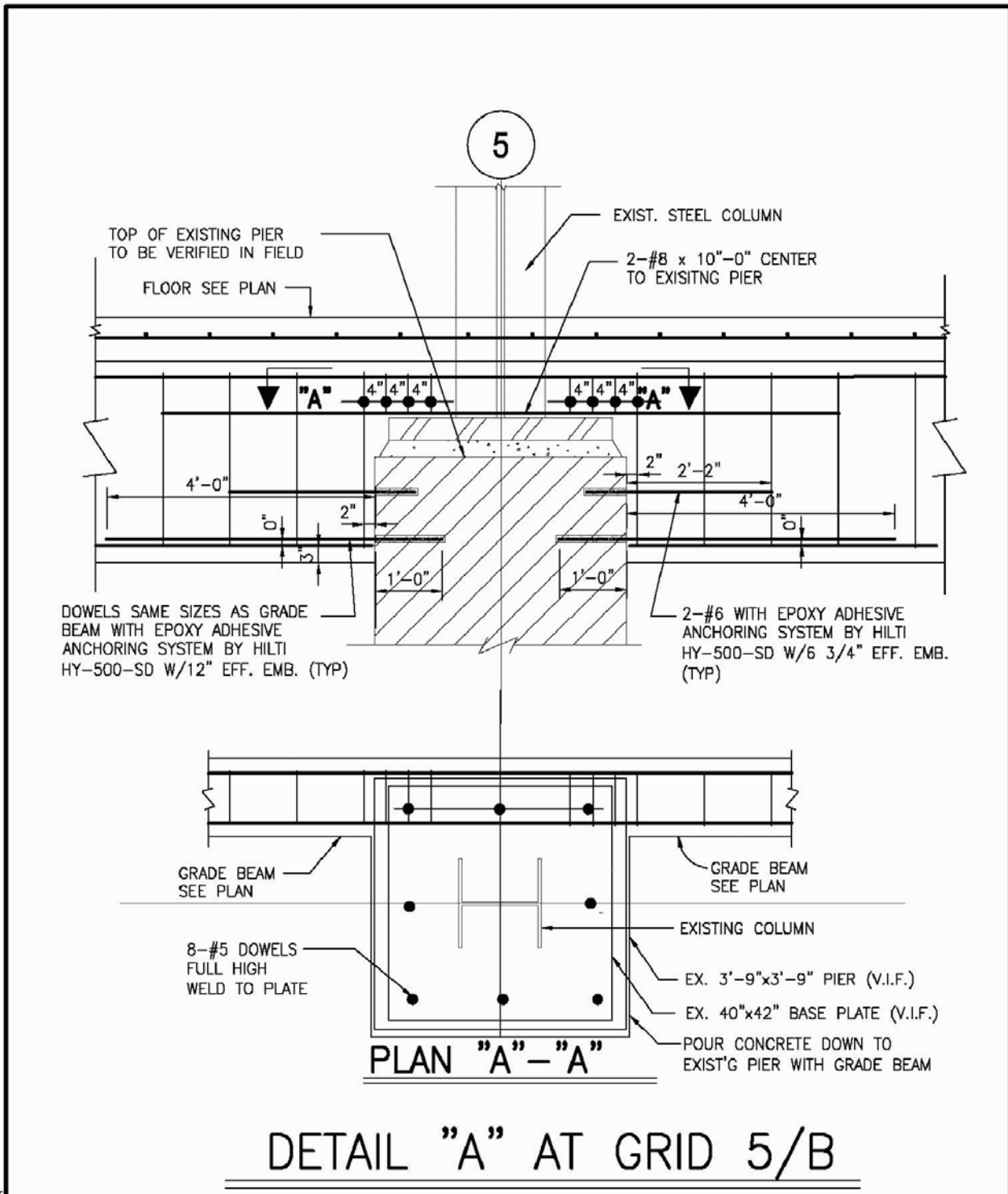
COLUMN LINE "B" GRADE BEAM
 REF: DETAIL A / S101 @ COLUMN B6

TMG REF DWG : 108813_Sectionbase01.dwg
UNION COUNTY COLLEGE
LESSNER FIRST FLOOR ADDITION &
FIRST FLOOR & LOWER LEVEL
REHABILITATION

12 WEST JERSEY STREET
 ELIZABETH, NJ 07202

11-1-2016
 Project # 108813
 SCALE: N.T.S.

SK-27A



PROTOSK11.PAPER

CEC CONSULTING ENGINEERS
COLLABORATIVE, INC.
 730 BOULEVARD • KENILWORTH, NJ 07033
 908-298-1600 • 908-298-0702 FAX

UCC FIRST FLOOR & LOWER LEVEL RENOVATION
 12 WEST JERSEY ST. ELIZABETH, NEW JERSEY
TITLE GRADE BEAM GRID LINE "B"

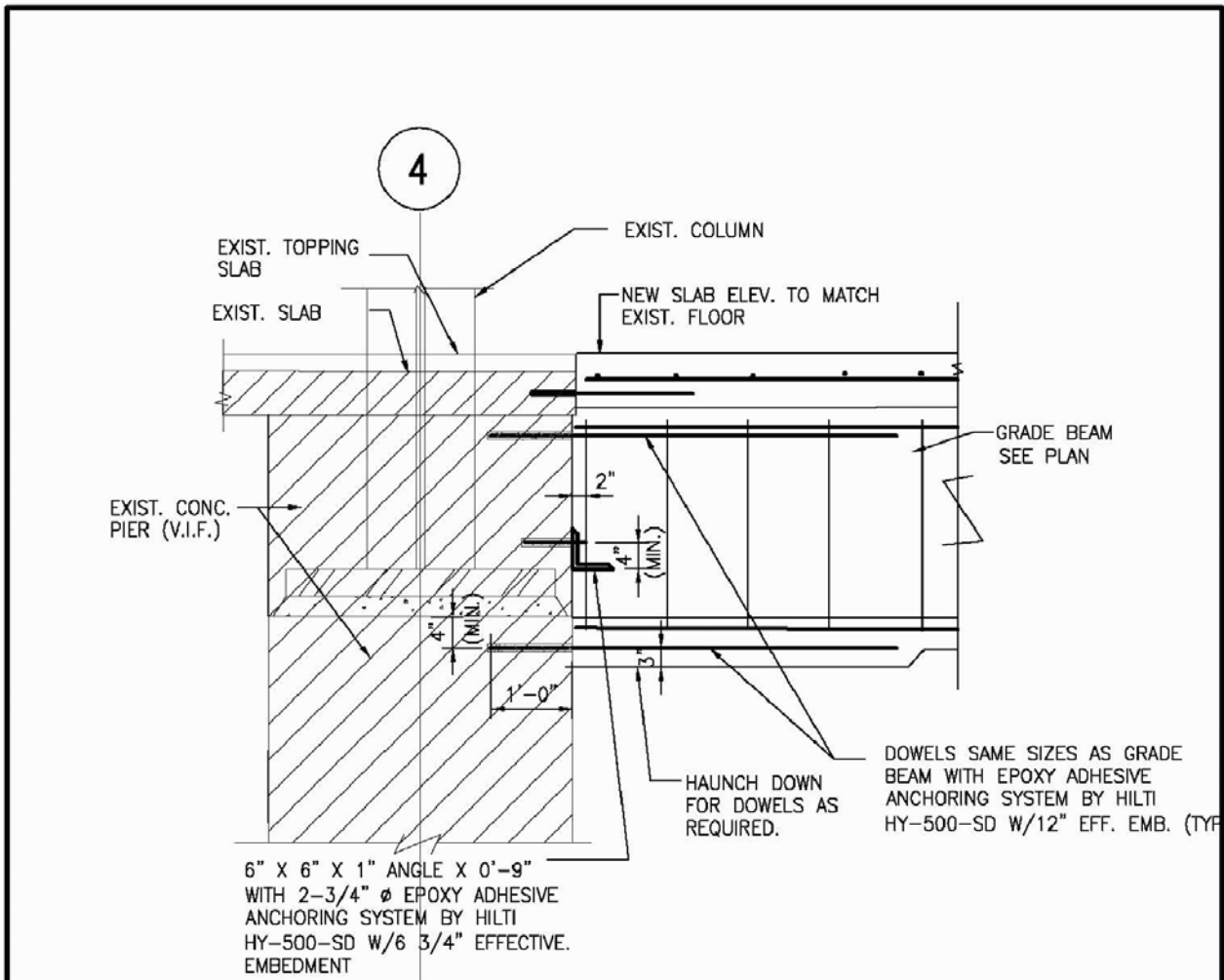
| | | |
|-------------|---------------|------------------|
| DRAWN TK | CHECKED TK | DATE 11-01-16 |
|-------------|---------------|------------------|

DRAWING #
SK-S9

COLUMN LINE "B" GRADE BEAM
 REF: DETAIL A / S101 @ COLUMN B5

TMG REF DWG : 108813_Sectionbase01.dwg
UNION COUNTY COLLEGE
LESSNER FIRST FLOOR ADDITION &
FIRST FLOOR & LOWER LEVEL
REHABILITATION
 12 WEST JERSEY STREET
 ELIZABETH, NJ 07202

11-1-2016
 Project # 108813
 SCALE: N.T.S.
SK-27B



DETAIL "A" AT GRID 4/B

PROTOS 8.5x11 PAPER

CEC CONSULTING ENGINEERS
COLLABORATIVE, INC.

730 BOULEVARD • KENILWORTH, NJ 07033
 908-298-1600 • 908-298-0702 FAX

UCC FIRST FLOOR & LOWER LEVEL RENOVATION
 12 WEST JERSEY ST. ELIZABETH, NEW JERSEY

TITLE **GRADE BEAM GRID LINE "B"**

DRAWN
TK

CHECKED
TK

DATE
11-01-16

DRAWING #

SK-S10

COLUMN LINE "B" GRADE BEAM
 REF: DETAIL A / S101 @ COLUMN B4

TMG REF DWG : 108813_Sectionbase01.dwg

UNION COUNTY COLLEGE
LESSNER FIRST FLOOR ADDITION &
FIRST FLOOR & LOWER LEVEL
REHABILITATION

12 WEST JERSEY STREET
 ELIZABETH, NJ 07202

11-1-2016

Project # 108813

SCALE: N.T.S.

SK-27C

191 Mill Lane Mountainside, NJ 07092 p. 908.232.2860 f. 908.232.2845