

The Drawings, Specifications and other documents prepared by the Architect for this project are instruments of the Architect's service for use solely with respect to this project and the Architect shall be deemed the author of statutory and other reserved rights, including copyright. The owner shall be permitted to retain or other projects, including reproducible copies, of the Architect's drawings. Specifications or other documents shall not be used for completion of this Project by others, unless the Architect agrees in writing and with appropriate compensation to the Architect.

Submission or distribution of documents to meet official regulatory requirements or for similar purposes in connection with the Project is not to be construed as publication in derogation of the Architect's reserved rights.

These drawings may not be reproduced by any means without the express written consent of the architect.

© Copyright 2016
BUSINESS PROPRIETARY INFORMATION



LESSNER FIRST FLOOR ADDITION & FIRST FLOOR & LOWER LEVEL REHABILITATION
Lessner Building
Elizabeth Campus

12 West Jersey Street
Elizabeth, NJ 07202

THE MUSIAL GROUP ARCHITECTURE

191 Mill Lane
Mountainside, NJ 07092
t. 908.232.2860
f. 908.232.2845
e. studio@themusialgroup.com

March 2016

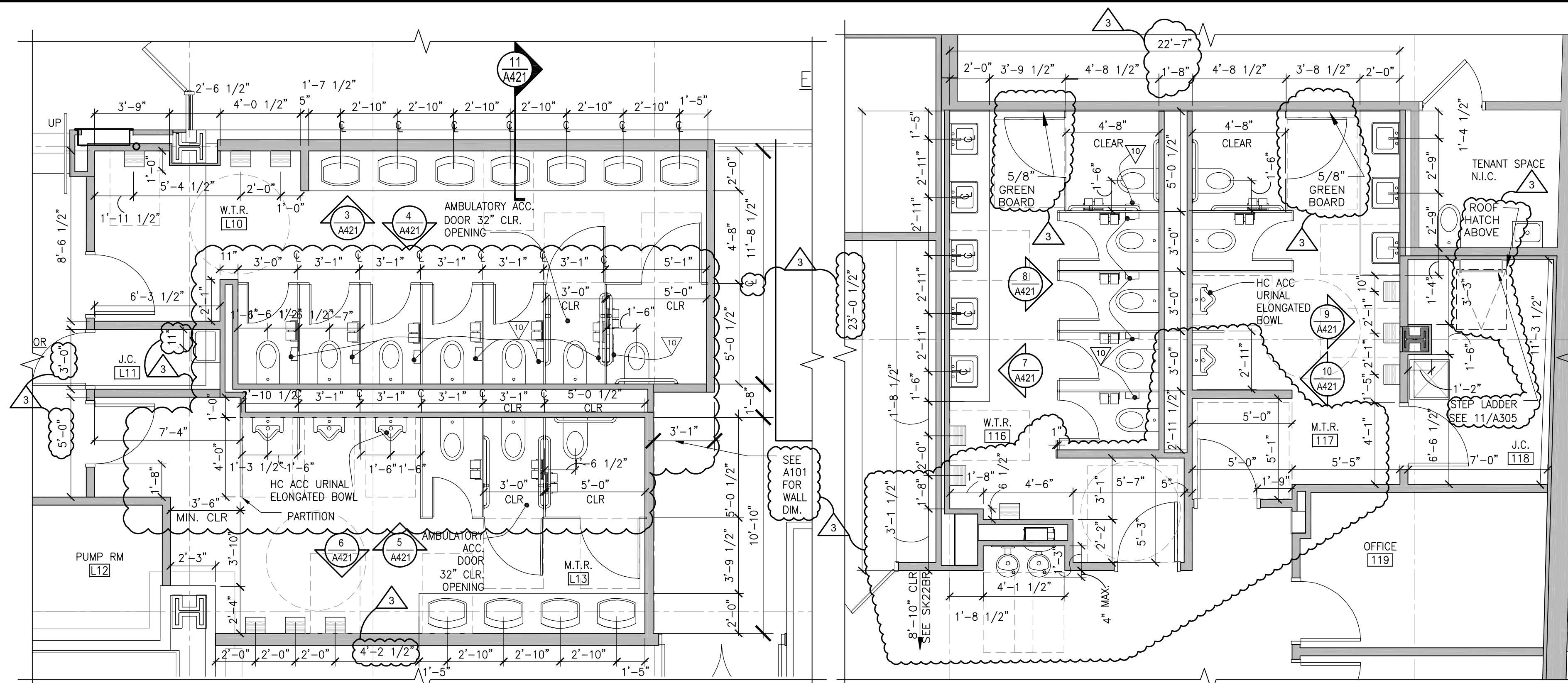
Revision Number	Revision Description	Revision Date
1	ADDENDUM # 1	04/05/2016
2	ADDENDUM # 2	04/11/2016
3	REVISION # 3	10/28/2016

Scale: 1/4" = 1'-0"
Drawn by: PZ
Checked by:

108813

TOILET ROOMS ENLARGED PLANS AND ELEVATIONS

A421



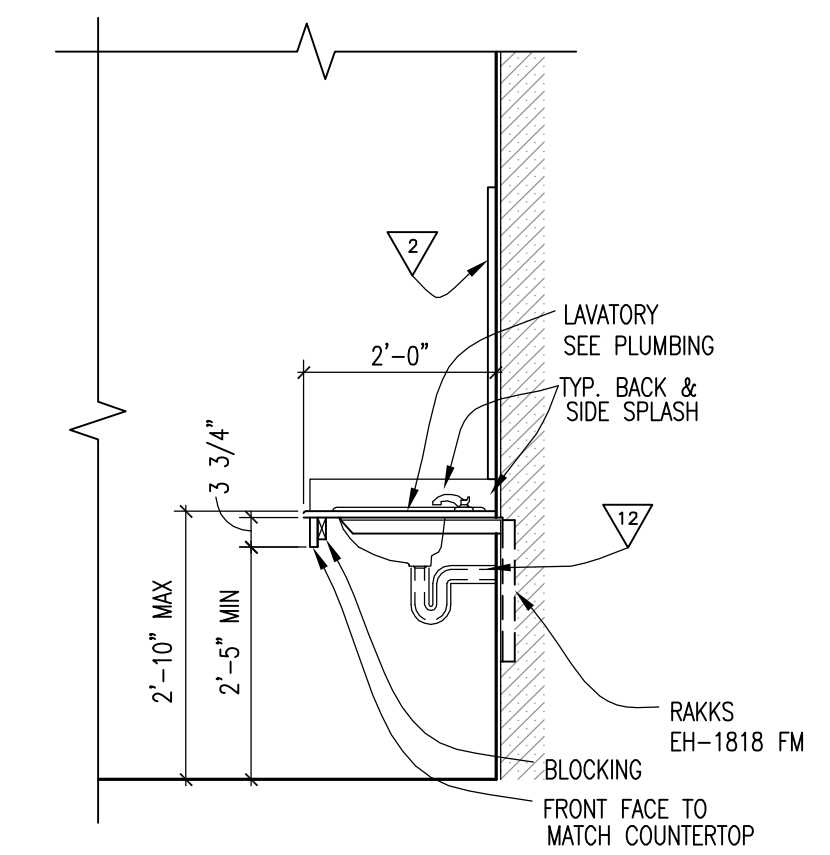
1 LOWER LEVEL ENLARGED TOILET ROOMS PLAN
SCALE: 1/4" = 1'-0"

2 FIRST FLOOR ENLARGED TOILET ROOMS PLAN
SCALE: 1/4" = 1'-0"

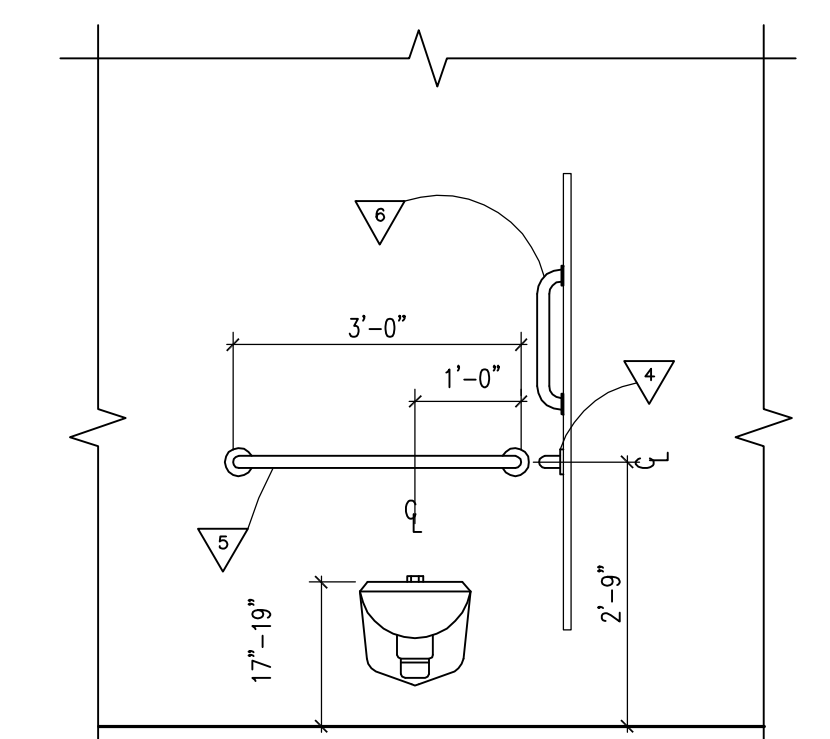
TOILET ACCESSORY SCHEDULE	
1	TOWEL DISPENSER/WASTE RECEPTACLE MODEL NO. 2017-10 (SEMI-RECESSED U.N.O.) TOP OF WALL OPENING AT 60" A.F.F. (U.N.O.)
2	MIRROR MODEL NO. 747-SIZES AS NEED IN ELEVATIONS MOUNT BOTTOM AT 38" A.F.F. MAX (U.N.O.)
3	TOILET TISSUE DISPENSER DUAL DUAL ROLL MODEL NO. 5425
4	GRAB BAR MODEL NO. 812/CONFIGURATION 001-42" MOUNT W/ CENTERLINE AT 33" A.F.F. (U.N.O.)
5	GRAB BAR MODEL NO. 812/CONFIGURATION 001-36" MOUNT WITH CENTERLINE AT 33" A.F.F. (U.N.O.)
6	GRAB BAR MODEL NO. 812/CONFIGURATION 001-18"
7	TOILET STALL, HEADRAR BRACED "COMTEC INDUSTRIES". SEE SPECIFICATIONS
8	URINAL SCREEN, WALL MOUNTED "COMTEC INDUSTRIES". SEE SPECIFICATIONS
9	ELECTRIC HAND DRYER BY EXCEL DRYER MODEL NO. XL-SB-1.1N MOUNT BOTTOM AT 44" A.F.F., HANDICAP ACCESSIBLE AT 37" A.F.F.
10	SANITARY NAPKIN HANDS FREE DISPOSAL: FROST HFN DISPOSAL UNIT MODEL 625; BATTERY OPERATED. MOUNT W/TOP OF DISPOSAL DOOR AT 48" A.F.F. (U.N.O.)- SEE PLANS
11	DOUBLE ROBE HOOK MODEL NO. 912 MOUNT AT 54" A.F.F. (MAX.) (2) PER CUBICLE MOUNT AT 48" A.F.F. (MAX.) AT WHEELCHAIR ACC. CUBICLES
12	UNDER LAVATORY GUARD

NOTES:
INSTALL SURFACE MOUNTED UTILITY SHELF W/ DRYING ROD AT SERVICE SINKS IN ROOMS #L11 & #118.
MODEL NO. 9983 BRADEX

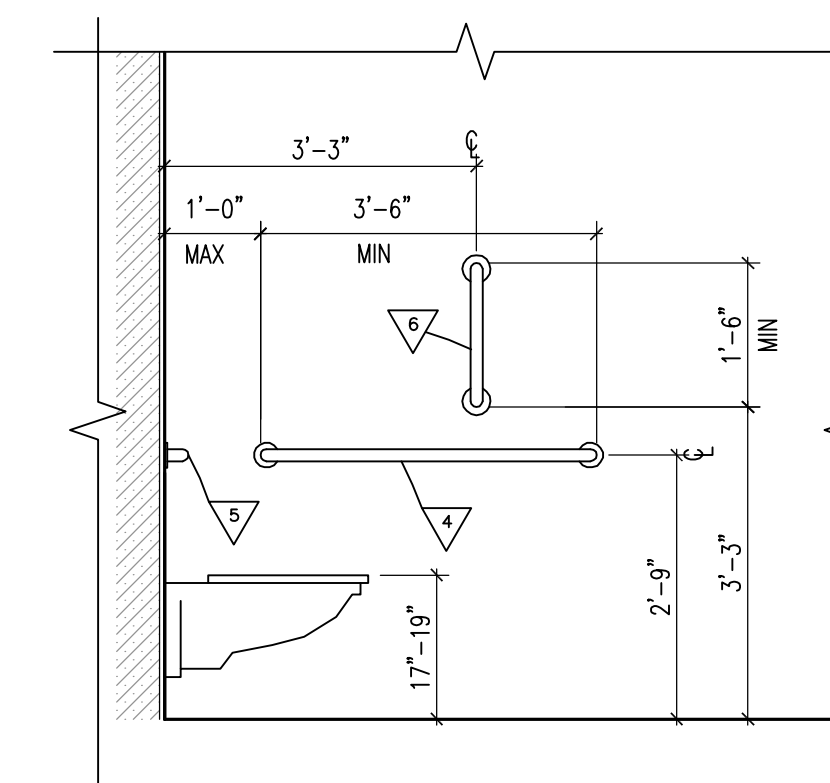
- NOTES:
- ALL ACCESSORIES SHALL BE BY "BRADLEY" U.N.O.
 - CONTRACTOR SHALL COORDINATE WITH MANUFACTURER'S RECOMMENDATIONS FOR BLOCKING REQUIREMENTS, WHERE REQUIRED, BLOCKING AND MINIMUM FASTENING REQUIREMENTS SHALL CONFORM TO THE REQUIREMENTS OF ANSI A117.1 AS REFERENCED IN SUBCHAPTER 11 OF THE NEW JERSEY IBC 2015.
 - PROVIDE AND INSTALL ACCESS DOOR FOR SPECIFIC EQUIPMENT IN TOILET AND LOCKER ROOMS.
 - PROVIDE CERAMIC TILE BASE, CERAMIC TILE FLOOR AND FULL HEIGHT CERAMIC TILE ON ALL WALLS OF TOILET & LOCKER ROOMS. SEE FINISH SCHEDULE.
 - INSTALL 5/8" WATER RESISTANT GYPSUM BOARD AT TOILETS, EXTEND TO UNDERSIDE OF DECK ABOVE ON TOILET ROOM SIDE.



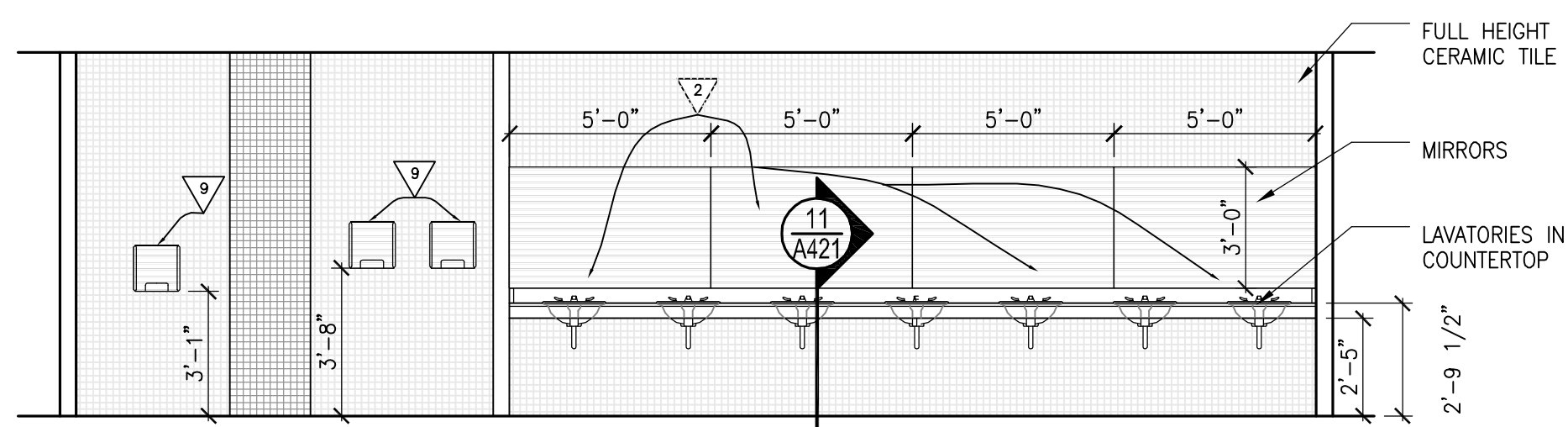
11 SECTION THROUGH SINK, TYP.
SCALE: 1/2" = 1'-0"



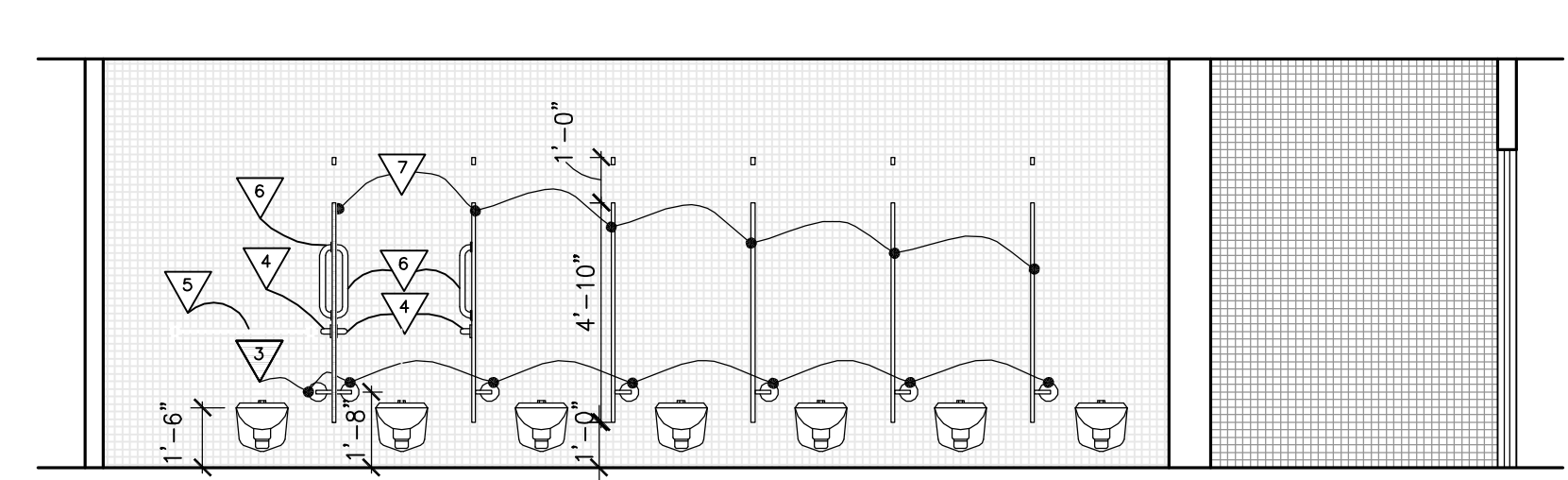
12 REAR WALL GRAB BAR ELEVATION
SCALE: 1/2" = 1'-0"



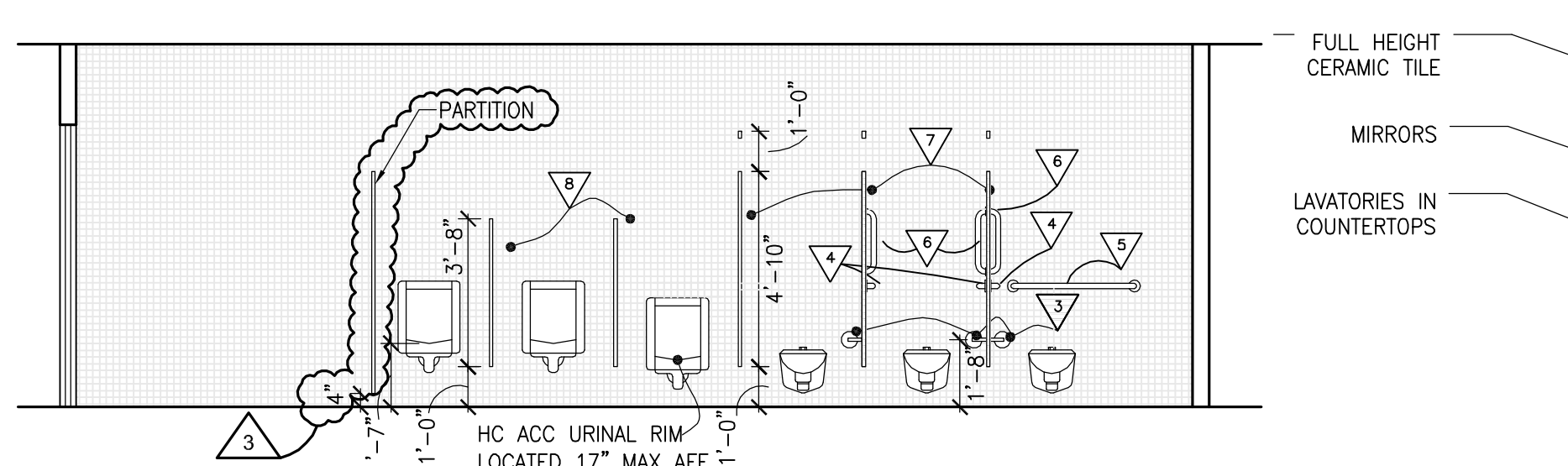
13 SIDE WALL GRAB BAR ELEVATION
SCALE: 1/2" = 1'-0"



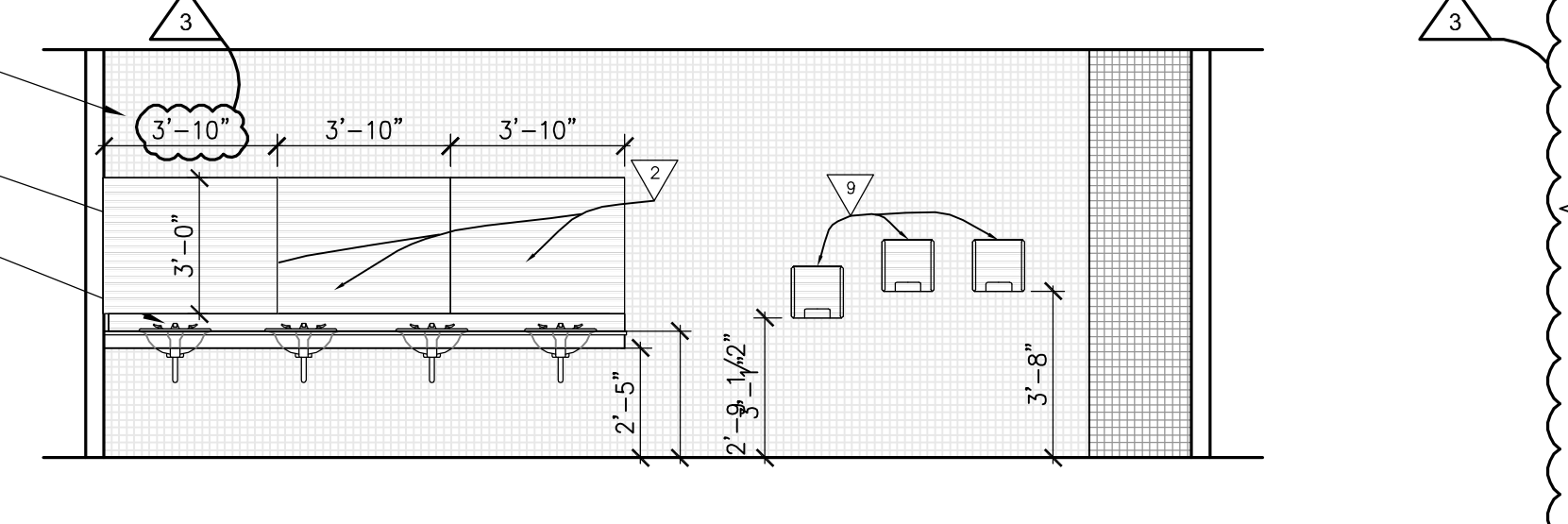
3 LOWER LEVEL WOMEN'S TOILET ROOM ELEVATION
SCALE: 1/4" = 1'-0"



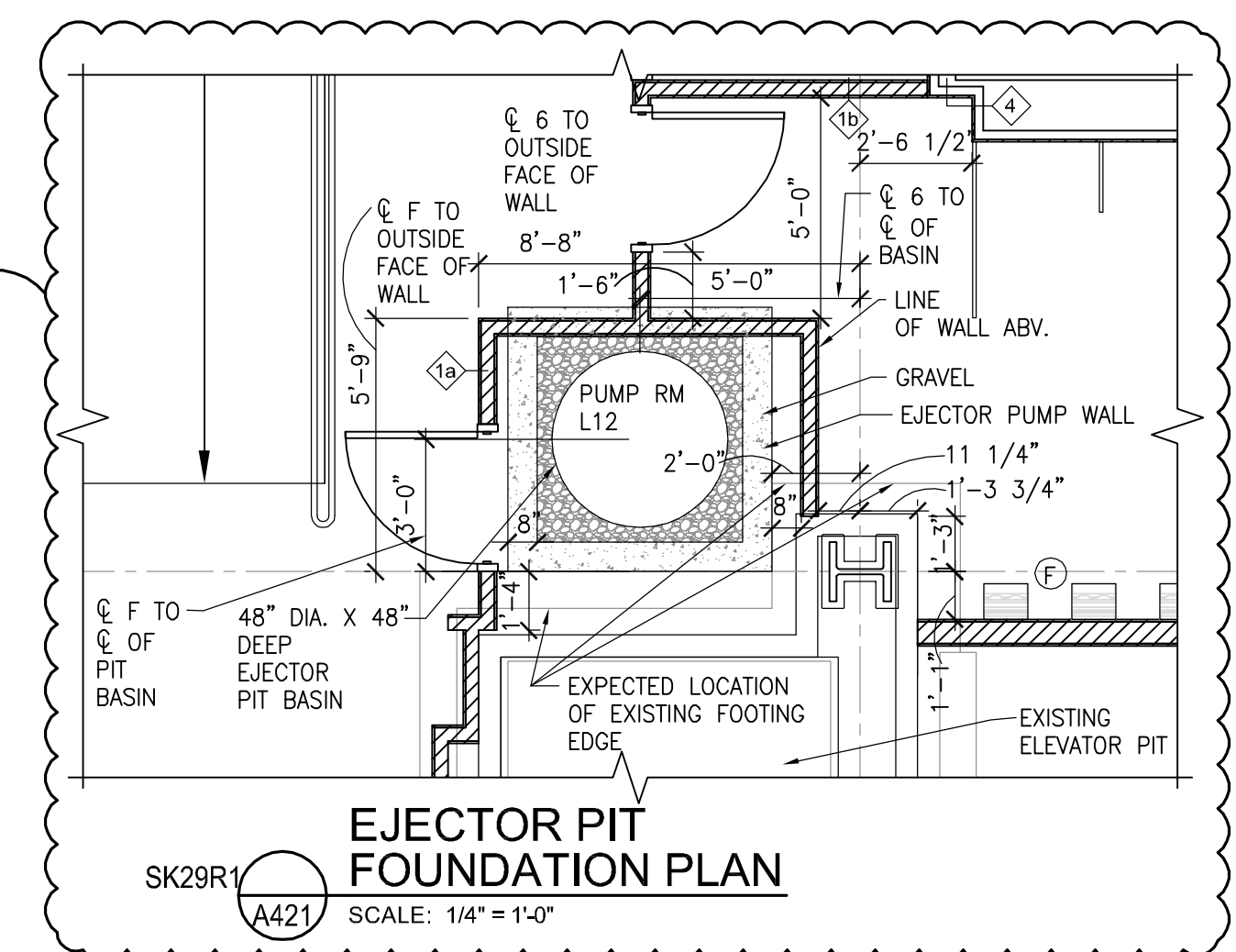
4 LOWER LEVEL WOMEN'S TOILET ROOM ELEVATION
SCALE: 1/4" = 1'-0"



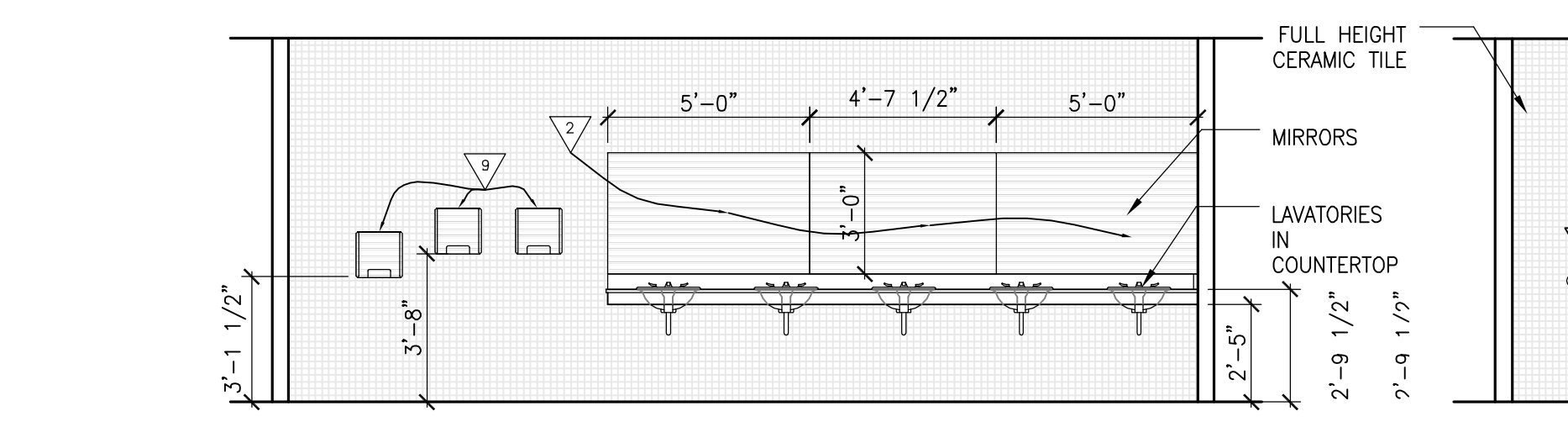
5 LOWER LEVEL MEN'S TOILET ROOM ELEVATION
SCALE: 1/4" = 1'-0"



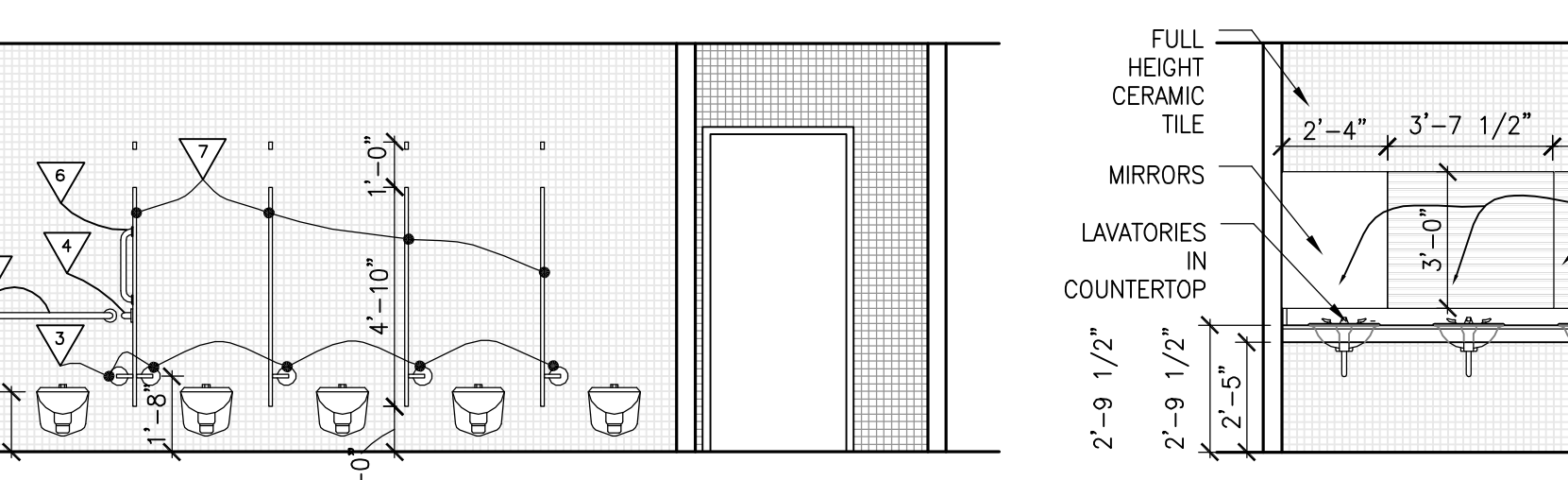
6 LOWER LEVEL MEN'S TOILET ROOM ELEVATION
SCALE: 1/4" = 1'-0"



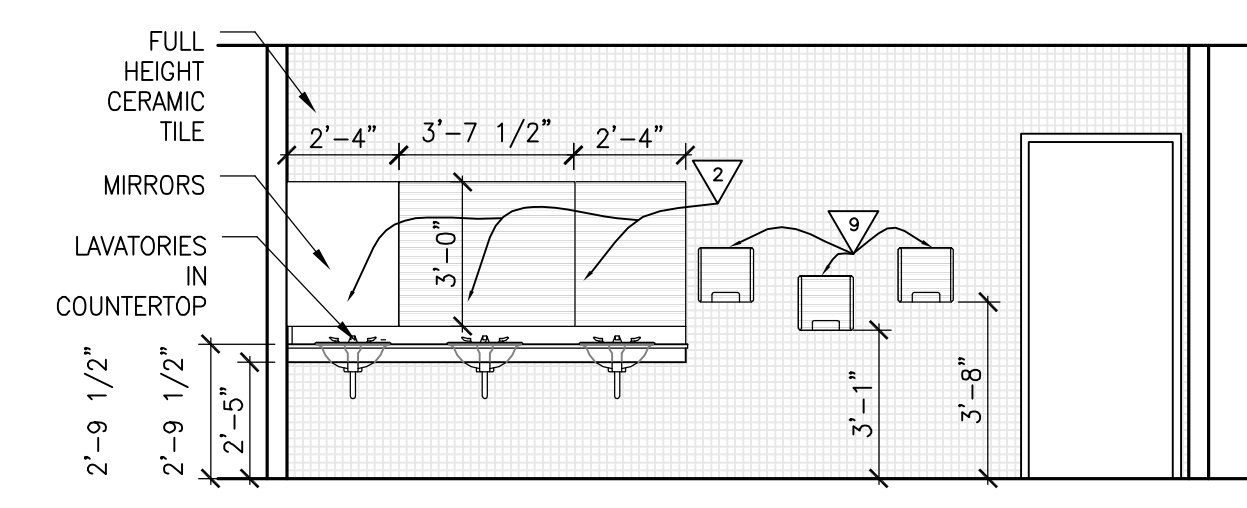
EJECTOR PIT FOUNDATION PLAN
SCALE: 1/4" = 1'-0"



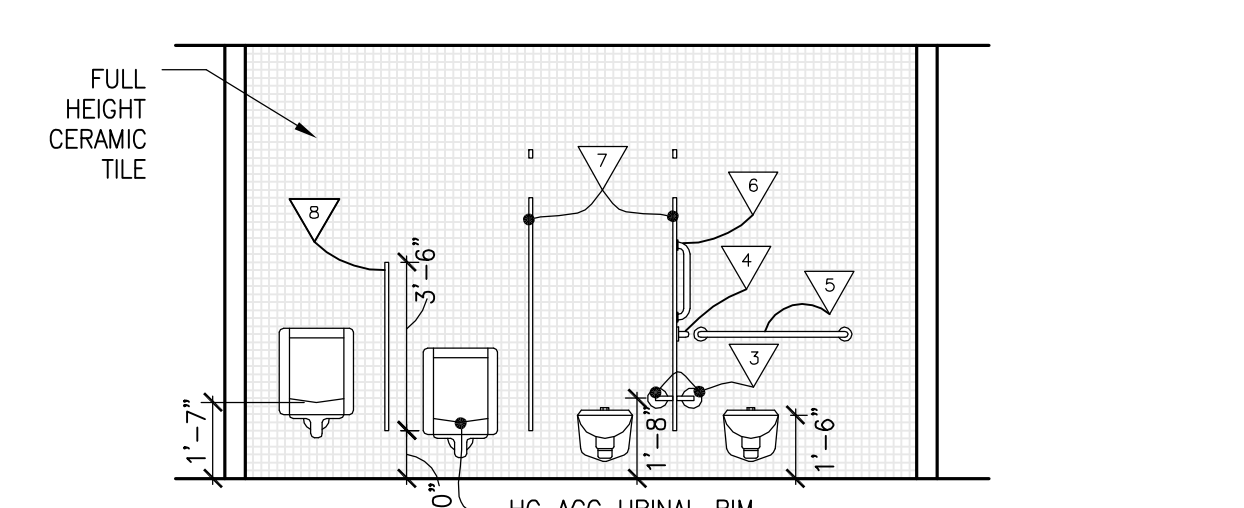
7 FIRST FLOOR WOMEN'S TOILET ROOM ELEVATION
SCALE: 1/4" = 1'-0"



8 FIRST FLOOR WOMEN'S TOILET ROOM ELEVATION
SCALE: 1/4" = 1'-0"



9 FIRST FLOOR MEN'S TOILET ROOM ELEVATION
SCALE: 1/4" = 1'-0"



10 FIRST FLOOR MEN'S TOILET ROOM ELEVATION
SCALE: 1/4" = 1'-0"

ORIGINAL
IF IT IS RED IT IS AN ORIGINAL

P:\1000-1090\108813\108813.dwg, 10/26/2016 5:51:53 PM