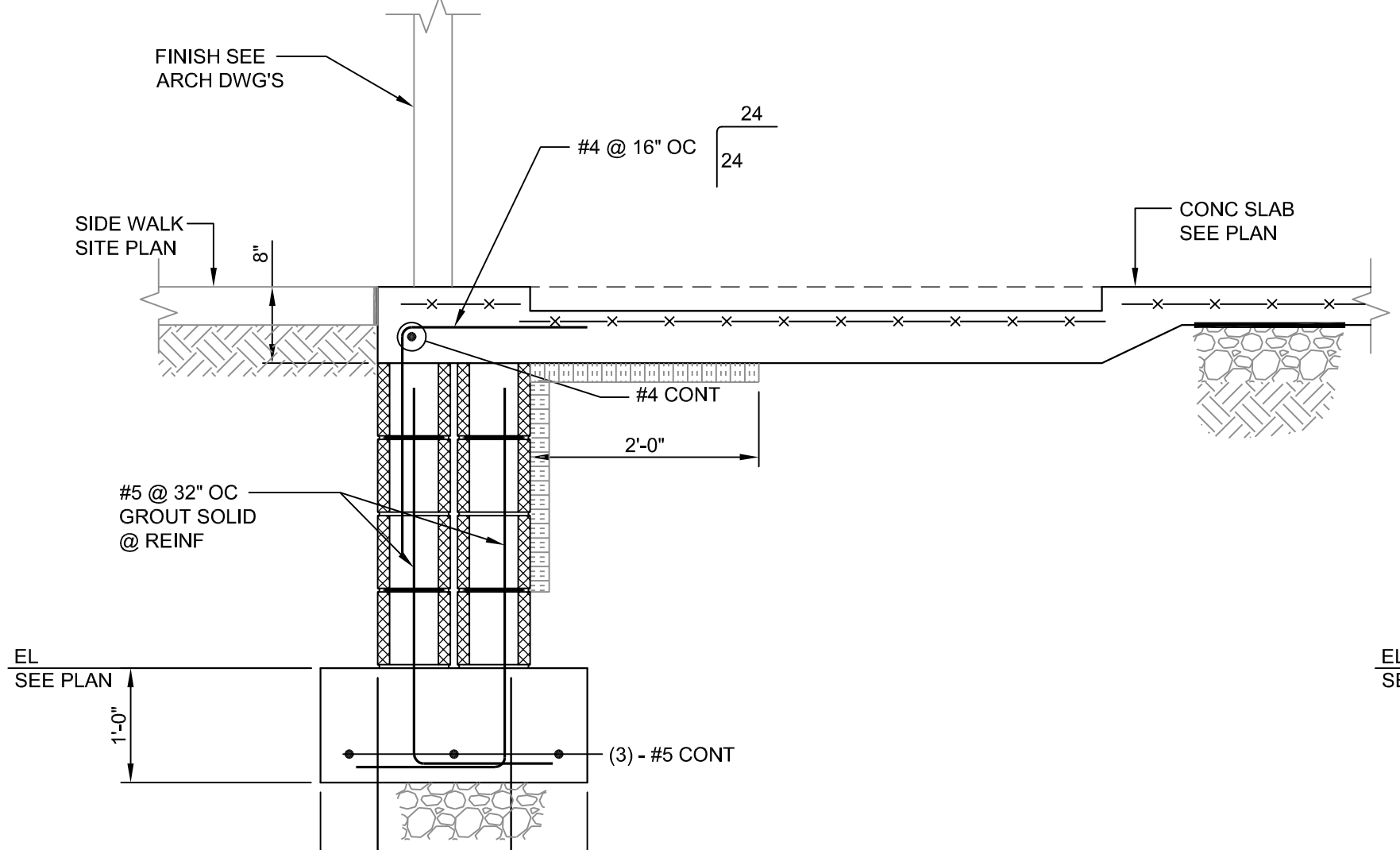
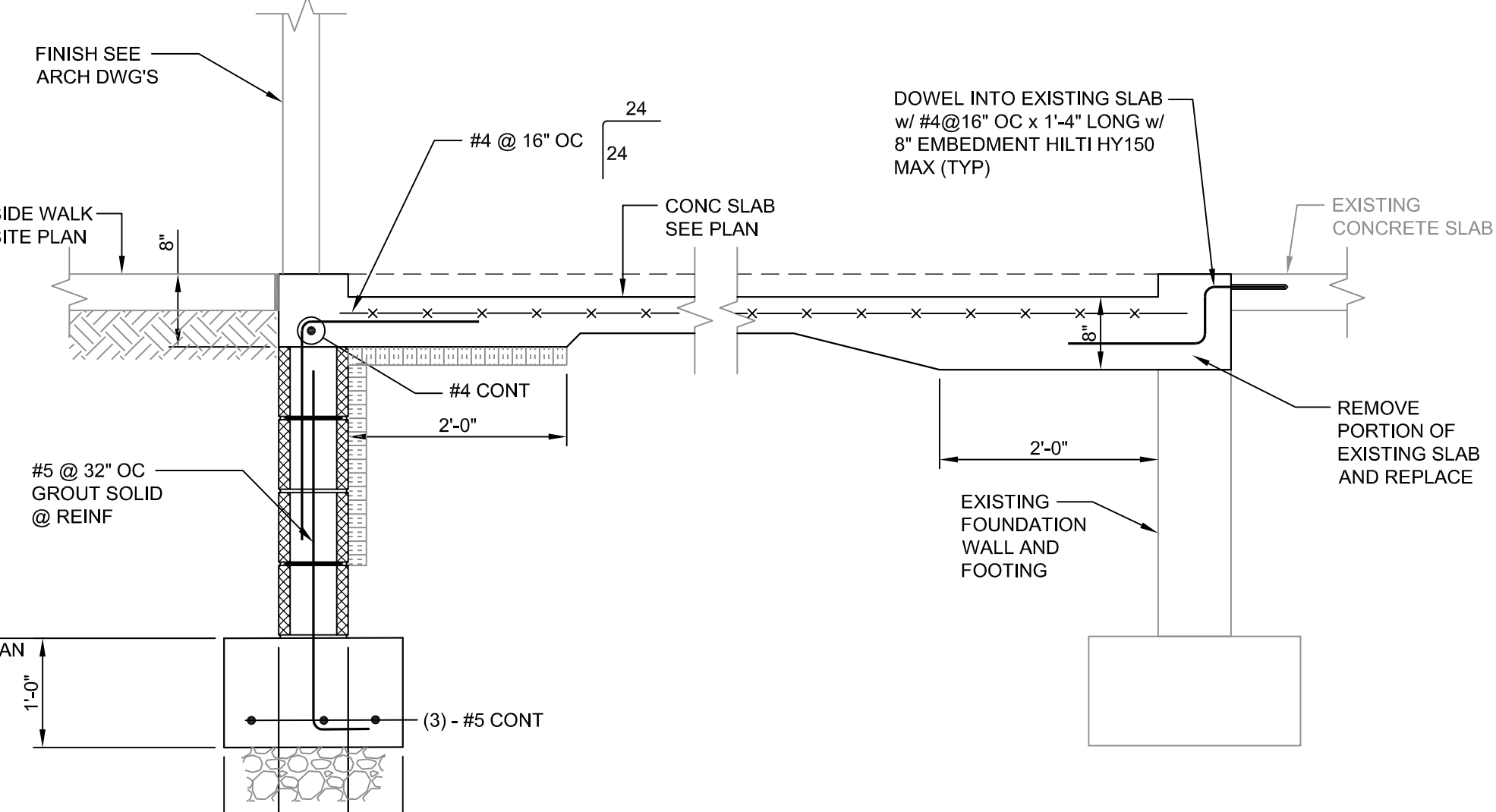


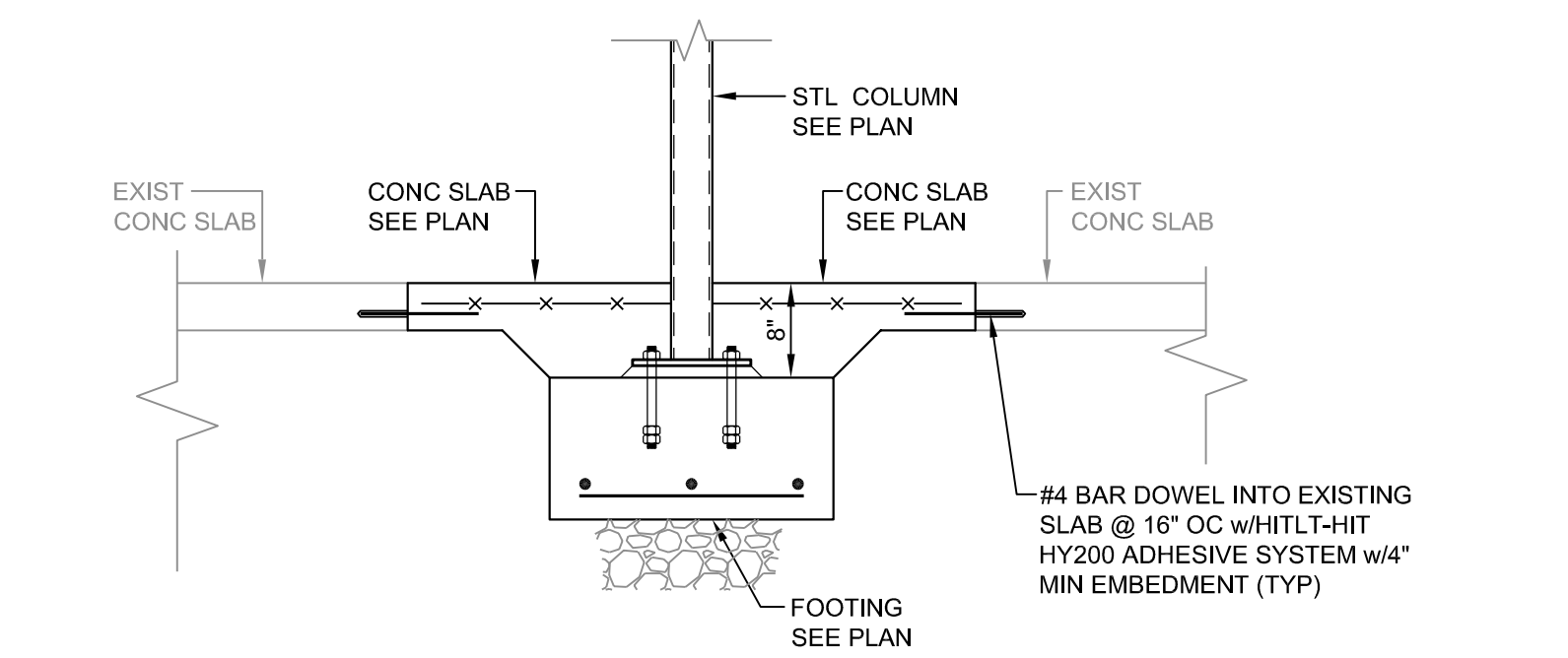
11S7.2
SCALE: 3/4" = 1'-0"



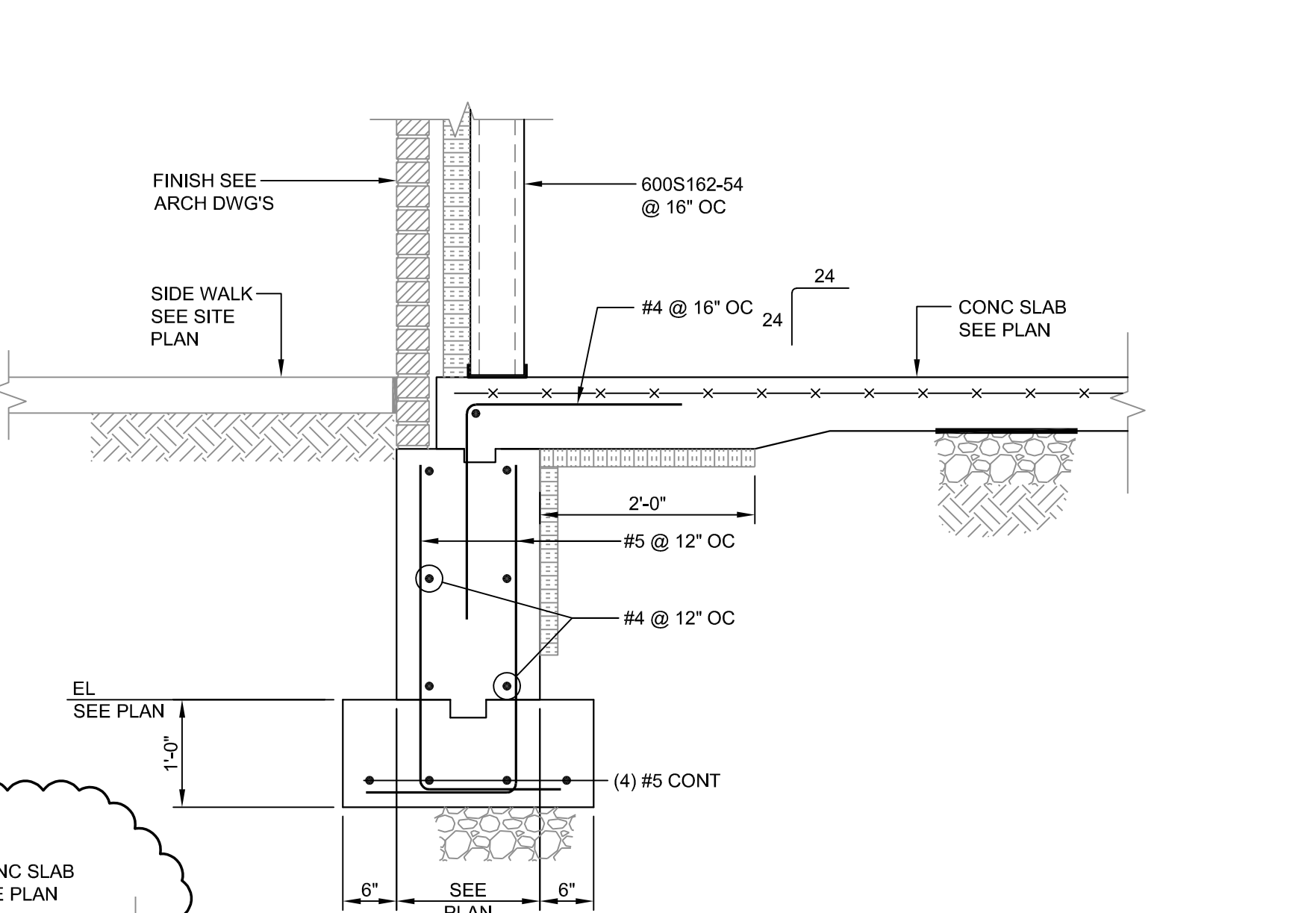
12S7.2
SCALE: 3/4" = 1'-0"



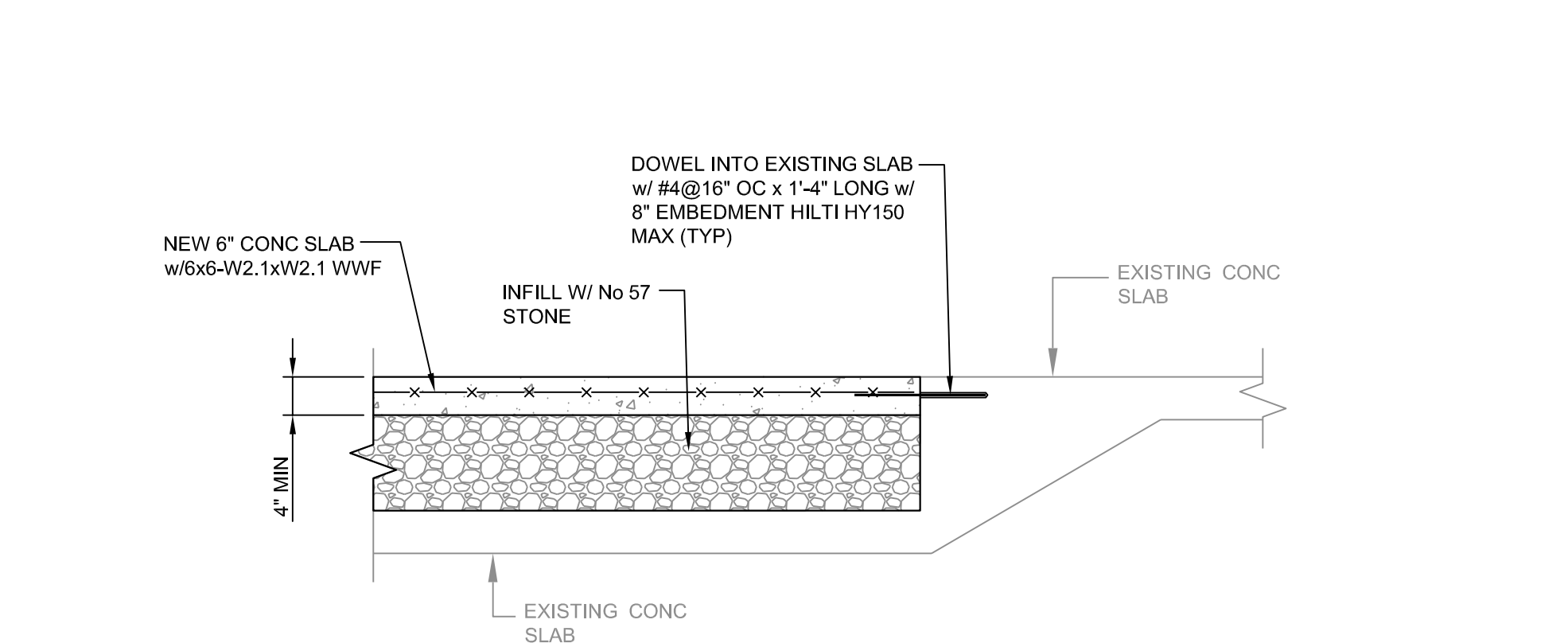
13S7.2
SCALE: 3/4" = 1'-0"



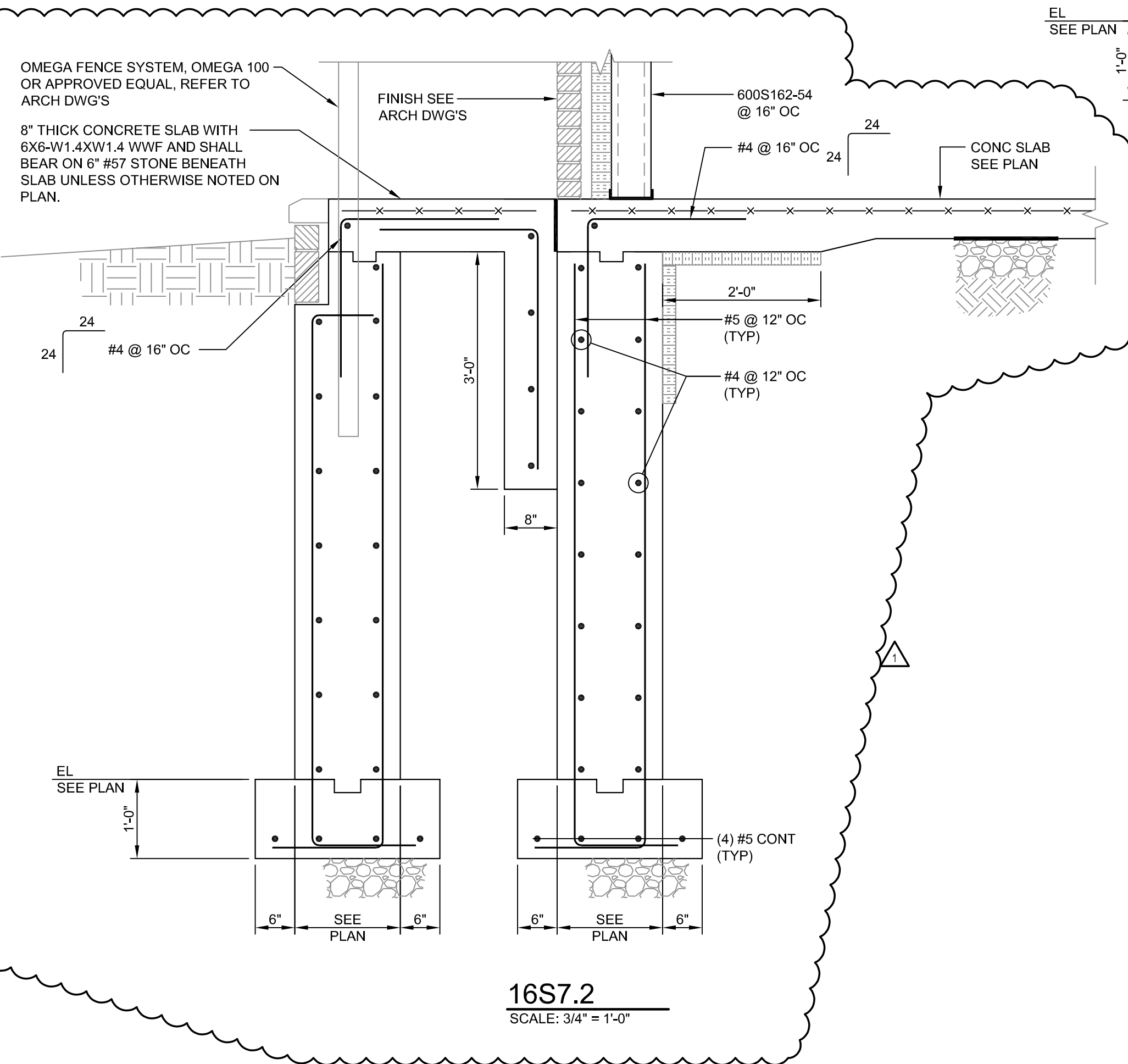
14S7.2
SCALE: 3/4" = 1'-0"



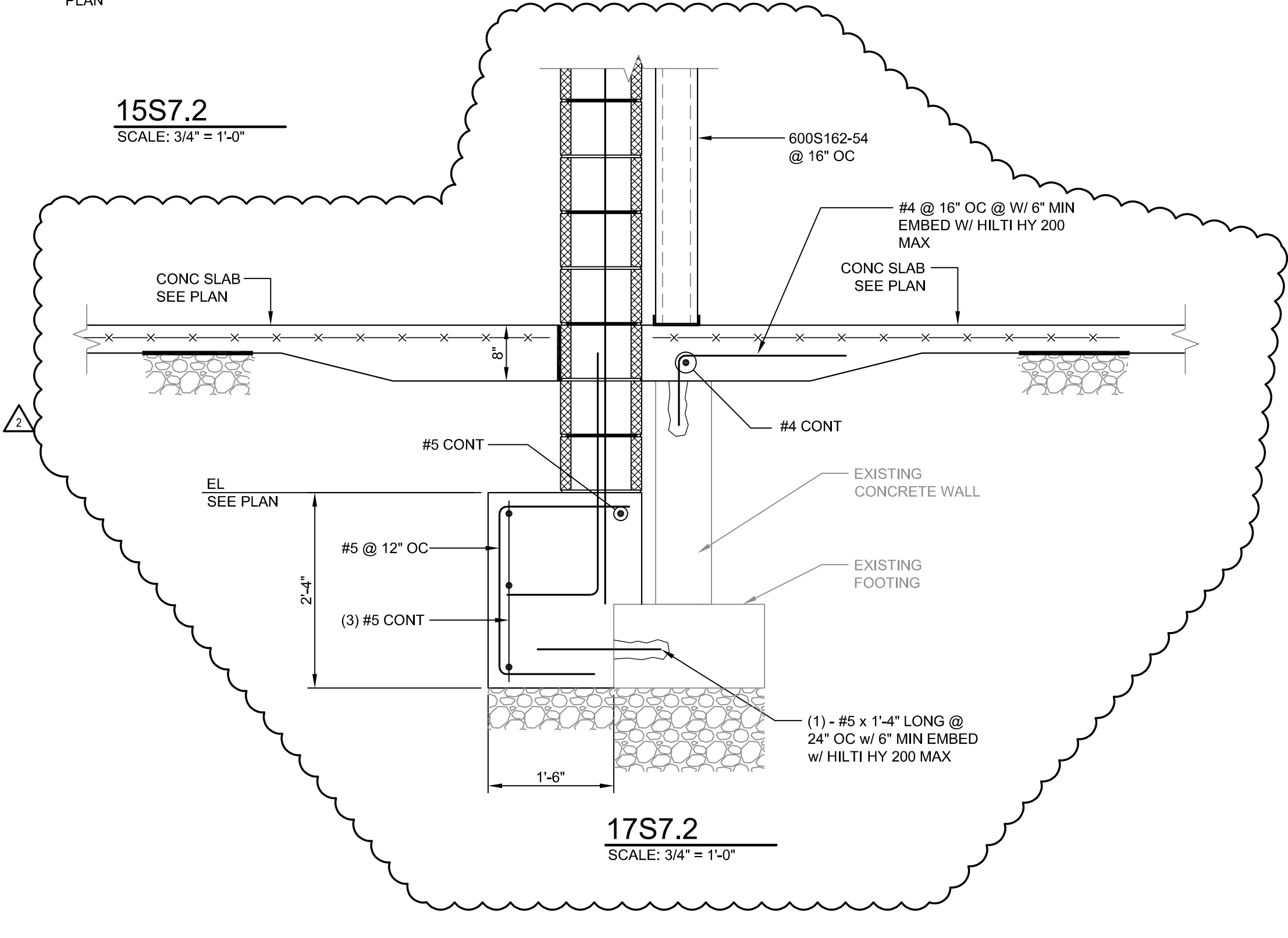
15S7.2
SCALE: 3/4" = 1'-0"



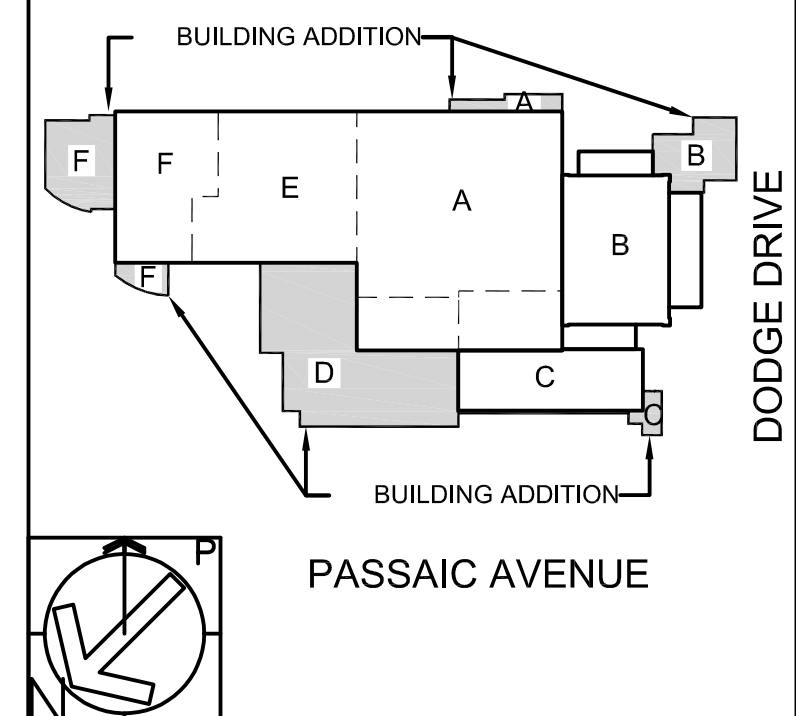
TYPICAL SLAB INFILL DETAIL @ EXISTING HYDRAULIC LIFT
SCALE: 3/4" = 1'-0"



16S7.2
SCALE: 3/4" = 1'-0"



17S7.2
SCALE: 3/4" = 1'-0"



di cara | rubino
architects
30 galesi drive
wayne, nj 07470
tel 973.256.0202 | fax 973.256.0227

MEMBERS OF THE AMERICAN INSTITUTE OF ARCHITECTS
GERMANO RUBINO, AIA NJ # AI 08084
JOSEPH DI CARA, AIA NJ # AI 08265
NOT VALID FOR BUILDING UNLESS SIGNED AND SEALED BY ARCHITECT

X Board President of Schools,
X Superintendent of Schools,

FPA
FRENCH & PARRELLO
ASSOCIATES
Corporate Office
1800 Route 34, Suite 101
Wall, NJ 07719
732.312.9800
Regional Offices
Hackettstown, NJ
New York, NY

JONATHAN V. CRAWFORD, PE
PROFESSIONAL ENGINEER, NJ LIC. No. GE49920
BUILDING ADDITIONS AND INTERIOR RENOVATIONS AT THE :
ESSEX COUNTY WEST CALDWELL SCHOOL OF TECHNOLOGY
620 PASSAIC AVENUE
WEST CALDWELL, NJ 07006
ESSEX COUNTY SCHOOLS OF TECHNOLOGY

STRUCTURAL FOUNDATION SECTIONS

SCALE AS NOTED

REV.	DATE:	DRN	CHK	
	08/14/18	CBR	JVC	ISSUED FOR BID
1	09/14/18	CBR	JVC	ADDENDUM #2
2	10/03/18	CBR	JVC	ADDENDUM #3

STATE PROJECT NO.
1390-080-16-1000

PROJECT NO. **3003** SHEET NO. **S7.2**

C:\1\DK\107001\0713 - ECVT\10713.002 - MEP\CADD\DWG\10713.002 - S7.1.dwg