

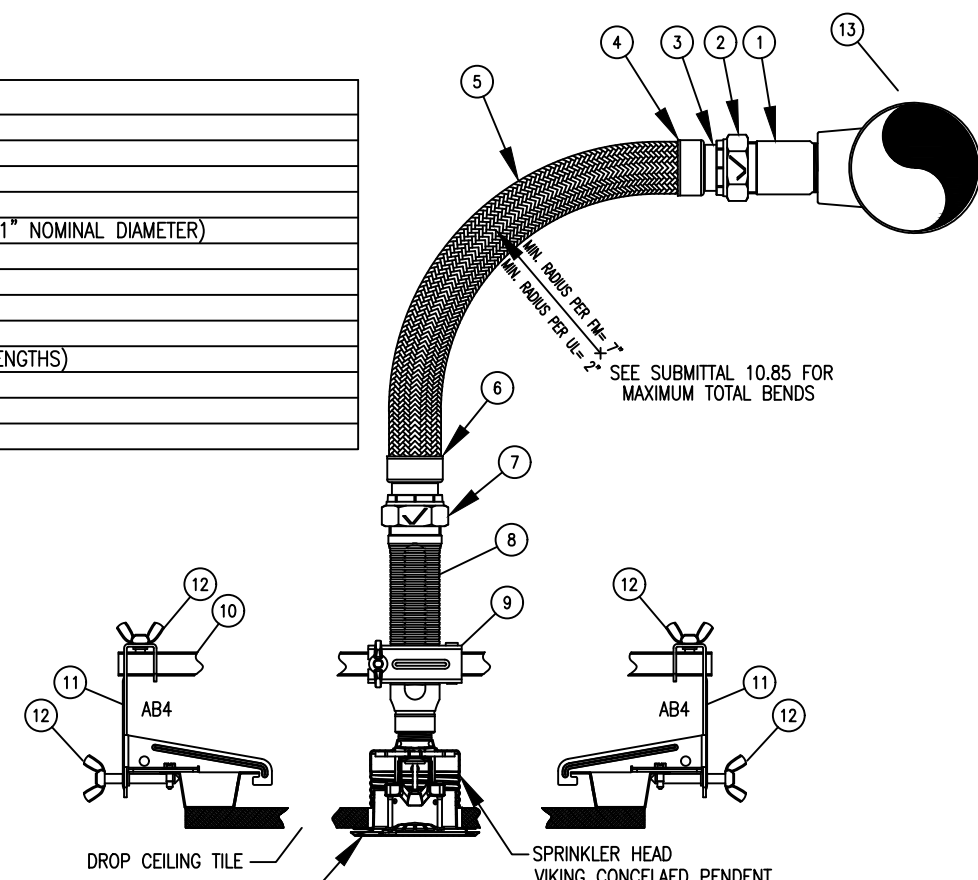
<b>BUILDING CODE STANDARDS</b>	<b>OCCUPANCY</b>	<b>CONSTRUCTION</b>	<b>NFPA STANDARDS</b>	<b>MATERIAL</b>
<input type="checkbox"/> I.B.C. 2009	<input checked="" type="checkbox"/> ASSEMBLY A-1	<input type="checkbox"/> TYPE I	<input checked="" type="checkbox"/> 13	<input checked="" type="checkbox"/> SCH. 40 BLK STEEL-THREADED: 1" TO 1 1/2"
<input type="checkbox"/> I.B.C. 2009 - NJ EDITION	<input checked="" type="checkbox"/> BUSINESS	<input type="checkbox"/> TYPE II	<input type="checkbox"/> 14	<input checked="" type="checkbox"/> SCH. 40 BLK STEEL-GRVD/WELDED: 1 1/2" TO 2"
<input type="checkbox"/> I.B.C. 2015	<input type="checkbox"/> EDUCATIONAL	<input type="checkbox"/> TYPE III	<input type="checkbox"/> ADOPTION YEAR	<input checked="" type="checkbox"/> SCH. 10 BLK STEEL-GRVD/WELDED: 2 1/2" TO 6"
<input checked="" type="checkbox"/> I.B.C. 2015 - NJ EDITION	<input type="checkbox"/> FACTORY E-1	<input type="checkbox"/> TYPE IV	<input type="checkbox"/> 2007	<input type="checkbox"/> CPVC
<input type="checkbox"/> NY STATE 2010	<input type="checkbox"/> HIGH HAZARD	<input type="checkbox"/> TYPE V	<input type="checkbox"/> 2013	<input type="checkbox"/> OTHER
<input type="checkbox"/> OTHER	<input type="checkbox"/> INSTITUTIONAL	<input type="checkbox"/> NEW	<input type="checkbox"/> 2010	<input type="checkbox"/> OTHER
<b>SEISMIC CATEGORY:</b> ---	<input type="checkbox"/> MERCANTILE	<input type="checkbox"/> EXISTING	<input type="checkbox"/> WET	<input checked="" type="checkbox"/> HYDRAULICALLY CALCULATED
<input checked="" type="checkbox"/> SEISMIC BRACING REQ'D	<input type="checkbox"/> RESIDENTIAL	<input type="checkbox"/> BOTH	<input type="checkbox"/> DRY	<input type="checkbox"/> PIPE SCHEDULE
<input type="checkbox"/> YES <input checked="" type="checkbox"/> NO <input type="checkbox"/> PER SPEC	<input type="checkbox"/> STORAGE S-1	<input type="checkbox"/> FM GLOBAL	<input type="checkbox"/> ANTI-FREEZE	<input checked="" type="checkbox"/> FLEXIBLE HOSE CONNECTIONS: 48" MAX
	<input type="checkbox"/> UTILITY	<input type="checkbox"/> YES <input checked="" type="checkbox"/> NO	<input type="checkbox"/> OTHER	<input type="checkbox"/> COMBUSTIBLE INTERSTITIAL SPACE

**GENERAL SPRINKLER SYSTEM NOTES:**

- ALL PIPES, FITTINGS AND HANGERS SHALL BE U.L. LISTED AND CONFORM TO NFPA 13 (2013) REGULATIONS.
- THE SPRINKLER HEADS SHALL BE INSTALLED AS PER NFPA 13 (2013) AND THE MANUFACTURERS SPECIFICATIONS.
- ALL SPRINKLER HEAD MODELS ARE NOTED IN THE SPRINKLER SYMBOL BLOCK.
- SPRINKLER SYSTEM HYDRAULICALLY CALCULATED AND DESIGNED ACCORDING TO NFPA 13 (2013) AND MANUFACTURERS SPECIFICATIONS.
- HYDROSTATIC TEST TO BE PERFORMED AT 200 PSI FOR 2 HOURS IN ACCORDANCE WITH NFPA 13 (2013). THIS TEST SHALL ONLY BE PERFORMED ON THE NEW SYSTEM, THE EXISTING SPRINKLER SYSTEM AND PIPE SHALL BE EXCLUDED.
- ALL WIRING OF BELLS, ALARMS, AND DEVICES BY OTHERS.
- OWNER SHALL MAINTAIN A MINIMUM OF 40' F THROUGHOUT BUILDING WHERE WET PIPE SPRINKLER SYSTEM IS INSTALLED.
- REMOTE AREA REDUCTION TAKEN IN ACCORDANCE WITH NFPA 13 (2013)
- SPRINKLER HEADS PERMITTED 9'-0" OFF A SINGLE WALL IN SMALL ROOMS IN LIGHT HAZARD OCCUPANCY IN ACCORDANCE WITH NFPA 13 (2013)
- THE EXISTING RISER, FIRE PUMP, BACKFLOW ASSEMBLIES AND FIRE DEPARTMENT CONNECTION SHALL REMAIN AS IS AND ARE EXCLUDED FROM THE SCOPE OF THIS PROJECT.

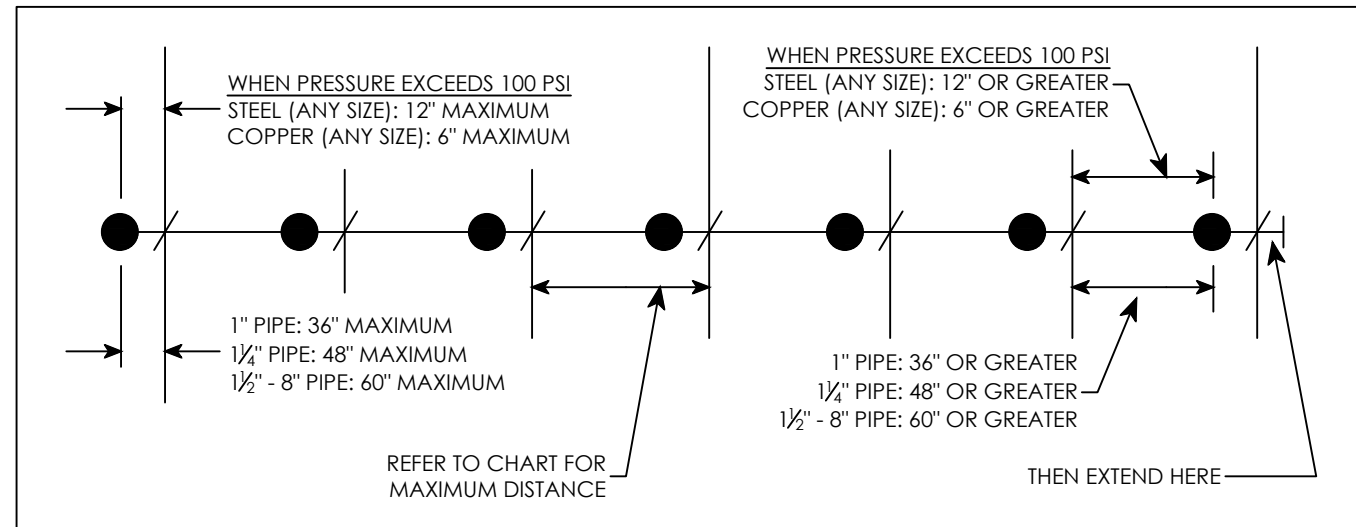
**PRODUCT LEGEND**

1	1/2" NPT NIPPLE (1" W.P.)
2	1/2" NPT
3	SOLOKON WIRE
4	SOLOKON WIRE FITTING
5	STAINLESS STEEL FLEXIBLE BRASS HOSE (1" NOMINAL DIAMETER)
6	SOLOKON WIRE FITTING
7	NPT
8	REDUCING OUTLET (AVAILABLE 1/2" NPT)
9	CENTER BRACKET ASSEMBLY
10	SQUARE BAR (AVAILABLE IN 2" AND 4" LENGTHS)
11	END BRACKET ASSEMBLY
12	WIRE NUT
13	WELDED - T - GUSSET



**CEILING HVAC DIFFUSER NOTE**

SPRINKLER HEADS TO BE INCREASED TO INTERMEDIATE TEMPERATURE WHEN CLOSER THAN 2' RADIUS IN THE DIRECTION OF FLOW EXTENDING 1' BELOW AND 2' ABOVE HORIZONTAL DIFFUSERS AND WHEN CLOSER THAN 10' RADIUS FROM THE EDGE EXTENDING 1' BELOW AND 2' ABOVE DOWNWARD DISCHARGE DIFFUSERS

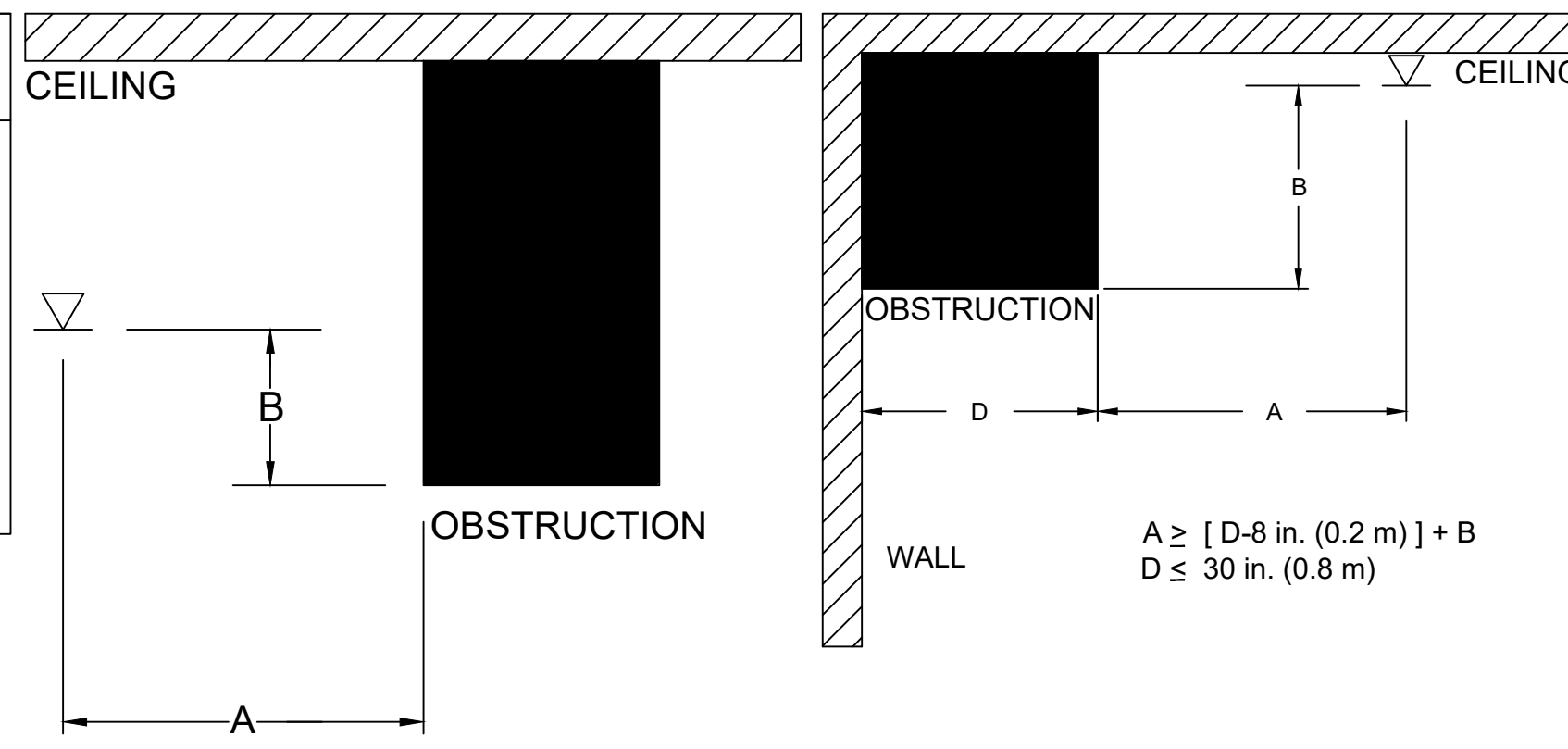


**MAXIMUM DISTANCE BETWEEN HANGERS**

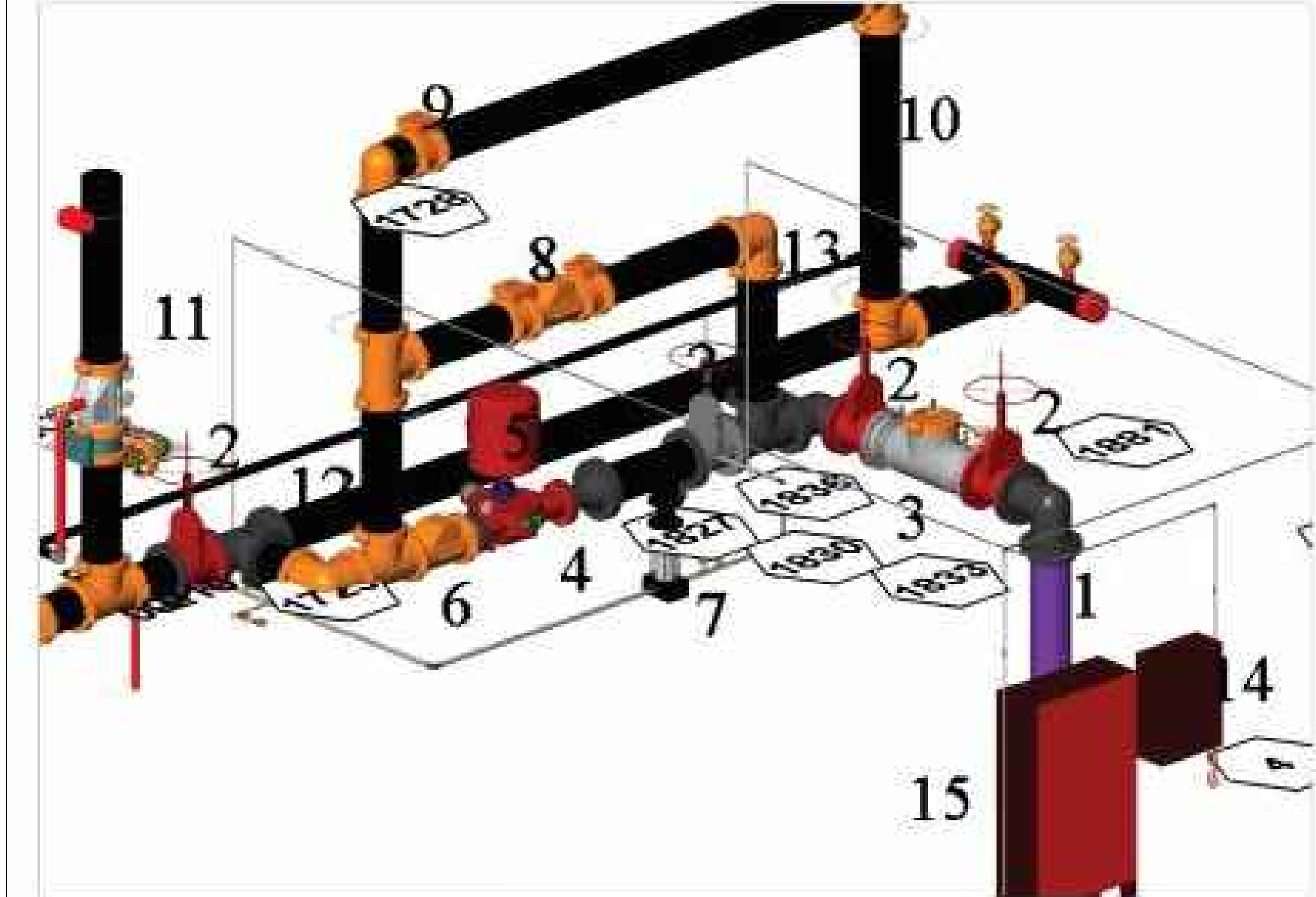
PIPE TYPE	1/2"	3/4"	1"	1 1/4"	1 1/2"	2"	2 1/2"	3"	3 1/2"	4"	5"	6"	8"
STEEL PIPE	N/A	12'-0"	12'-0"	15'-0"	15'-0"	15'-0"	15'-0"	15'-0"	15'-0"	15'-0"	15'-0"	15'-0"	15'-0"
THREADED L-WALL	N/A	12'-0"	12'-0"	12'-0"	12'-0"	12'-0"	12'-0"	12'-0"	N/A	N/A	N/A	N/A	N/A
COPPER TUBE	8'-0"	8'-0"	10'-0"	10'-0"	12'-0"	12'-0"	12'-0"	15'-0"	15'-0"	15'-0"	15'-0"	15'-0"	15'-0"
CPVC	5'-6"	6'-0"	6'-6"	7'-0"	8'-0"	9'-0"	10'-0"	N/A	N/A	N/A	N/A	N/A	N/A
POLYBUTYLENE (PB)	N/A	3'-9"	4'-7"	5'-0"	5'-11"	N/A	N/A	N/A	N/A	N/A	N/A	N/A	N/A
POLYBUTYLENE (CB)	2'-11"	3'-4"	3'-11"	4'-5"	5'-5"	N/A	N/A	N/A	N/A	N/A	N/A	N/A	N/A
DUCTILE IRON	N/A	N/A	N/A	N/A	N/A	15'-0"	15'-0"	N/A	15'-0"	15'-0"	15'-0"	15'-0"	15'-0"

**STANDARD SPRAY**

DISTANCE FROM SPRINKLERS TO SIDE OF OBSTRUCTION (A)	MAXIMUM DISTANCE OF DEFLECTOR ABOVE BOTTOM OF OBSTRUCTION (IN) (B)
LESS THAN 1 FT.	0
1 FT. TO LESS THAN 1 FT. 6 IN.	2-5/8"
1 FT. 6 IN. TO LESS THAN 2 FT.	3-5/8"
2 FT. TO LESS THAN 2 FT. 6 IN.	5-5/8"
2 FT. 6 IN. TO LESS THAN 3 FT.	7-5/8"
3 FT. TO LESS THAN 3 FT. 6 IN.	9-5/8"
3 FT. 6 IN. TO LESS THAN 4 FT.	12"
4 FT. TO LESS THAN 4 FT. 6 IN.	14"
4 FT. 6 IN. TO LESS THAN 5 FT.	16-5/8"
5 FT. AND GREATER	18"

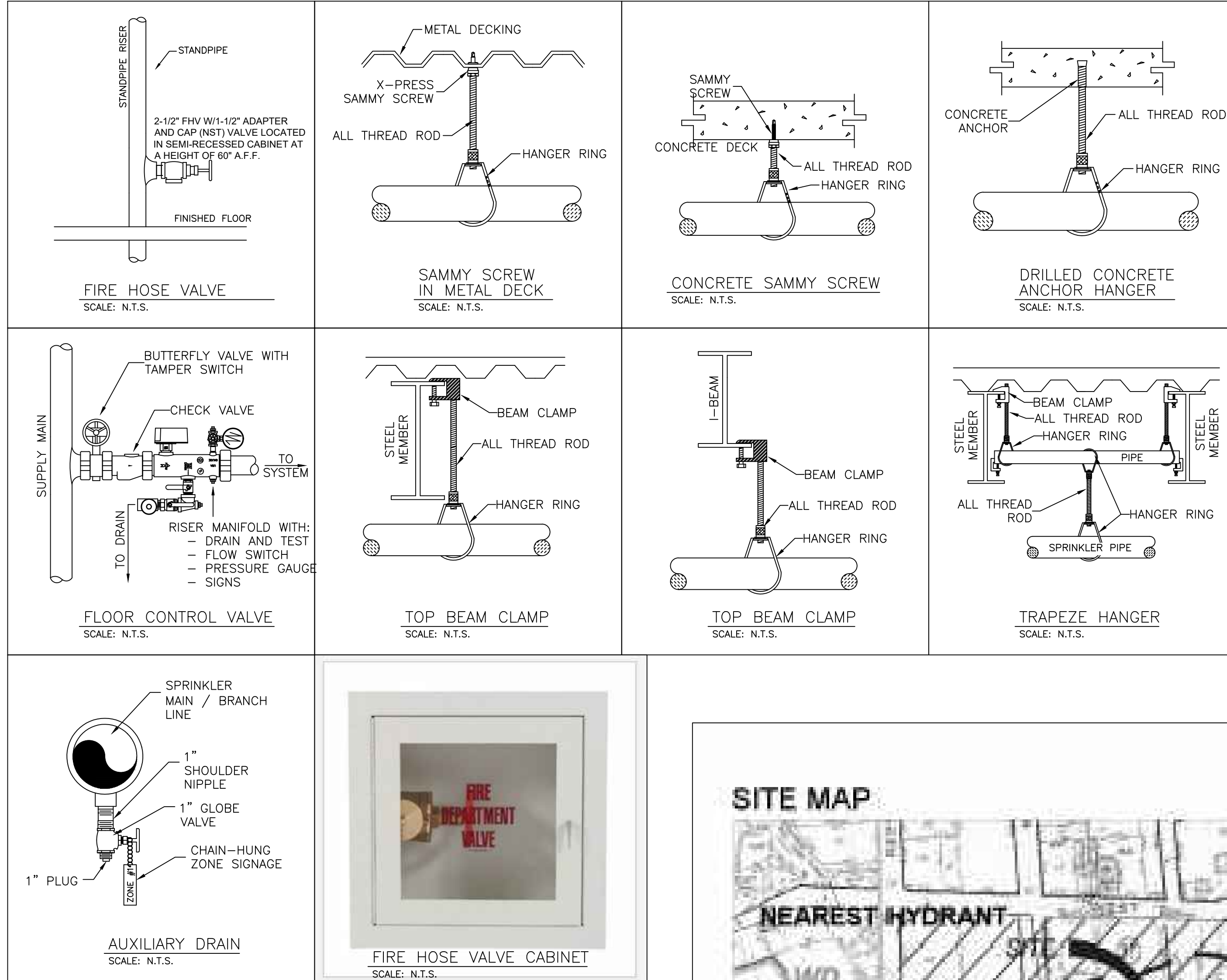


**EXISTING VALVE ROOM FIRE PUMP DETAIL 3D VIEW**

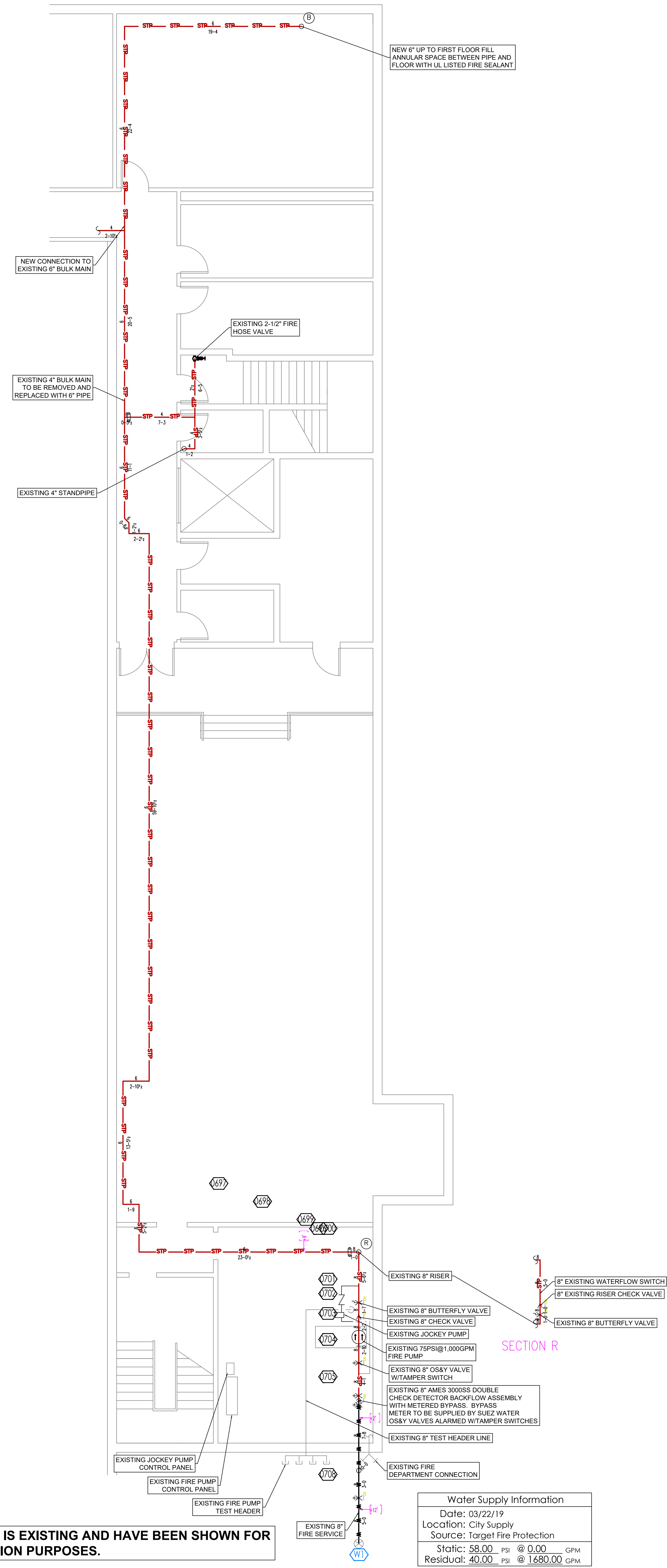
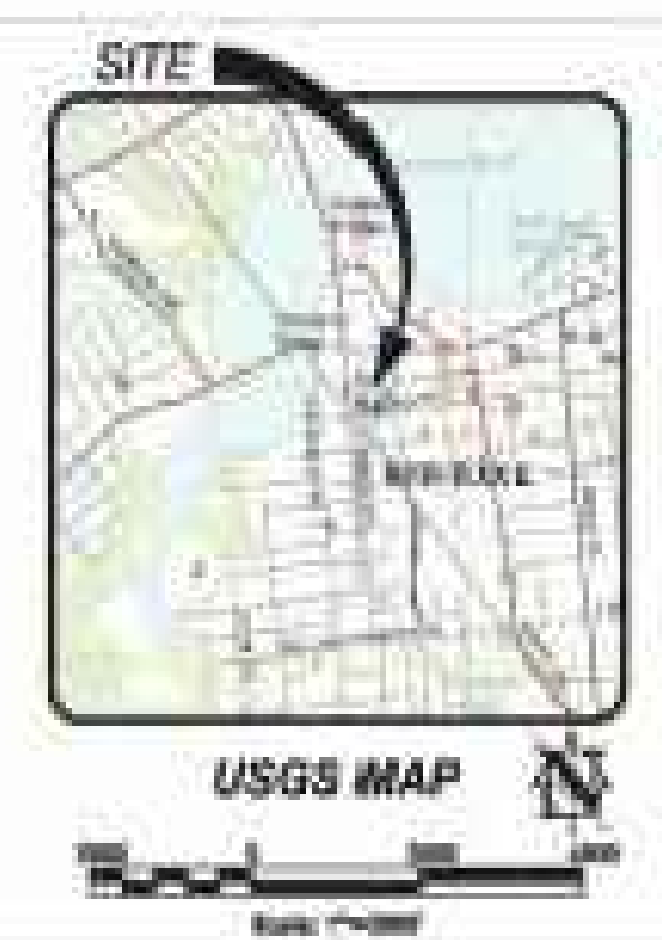


**PUMP NOTES ALL PUMP EQUIPMENT AND PIPE IS EXISTING AND TO REMAIN ALL PIPING TO FEED NEW CONSTRUCTION WILL CONNECT IN EXISTING STAIR**

- 8" Ductile Iron Incoming Service From City Main Pipe to be installed Plumb and True with Welded Flange a minimum of 8" AFF. (INSTALLED BY OTHERS)
- 8" OS&Y Valve with tamper switch. Tamper Switch to be wired to Alarm Panel By Other
- 8" Ames 3000es Double Check Detector Backflow Assembly with Metered Bypass. Bypass Meter to be Supplied by Suez water
- 8"x5" Eccentric Reducer to Pump Suction Flange
- Aurora 911 Series Vertical Inline 6"x4" Electric Driven Fire Pump Rated 90psi @1000gpm. (or Equivalent).
- 8" Water Check Valve at Flanged Discharge.
- Automatic Fire Protection Jockey Pump Assembly (Pump To Be Sized by Pump Manufacture)
- 8" Fire Pump Bypass with Butterfly Control Valves With Tamper Switch and Check Valve.
- 8" Butterfly valve With Tamper Switch for Fire Pump Test Header
- 8" to Outside Pump Test Header
- 8" Riser vicialtic 717 With Butterfly Valve W/ Tamper Switch, Riser Check Valve w/ Pressure Gauges and 2" Drain and Flow Switch To Floor Control Valves in Stairwell #1
- 2" Check Valve For Fire Department Connection
- 2" Drain Galvanized Pipe To Exterior Of Building Or Floor Drain.
- Jockey Pump Control Panel.
- Fire Pump Control Panel.



**SITE MAP**



**THIS AREA IS EXISTING AND HAVE BEEN SHOWN FOR CALCULATION PURPOSES.**

**EXISTING BASEMENT PLAN**

SCALE: 3/16" = 1'-0"

UNLESS NOTED OTHERWISE  
ELEVATION FROM JOB REF: -1'-0"

**Water Supply Information**

Date:	03/22/19
Location:	City Supply
Source:	Target Fire Protection
Static:	58.00 PSI @ 0.00 GPM
Residual:	40.00 PSI @ 1650.00 GPM

**TARGET FIRE PROTECTION**

321 CHANGEBROOK ROAD  
FINE BROOK, NJ 07068  
PHONE: 973-391-8599  
FAX: 973-394-8575  
www.targetfireprotection.com

**CM SPRINKLER DESIGN, INC.**

P.O. BOX 493  
POCONO LAKE, PA 18340  
PHONE: 562-751-5111  
FAX: 570-468-8575  
www.cmsprinkler.com

**CONFIDENTIALITY STATEMENT**

THIS DRAWING IS THE PROPERTY OF CM SPRINKLER DESIGN, INC. AND IS LOANED TO YOU FOR YOUR PROJECT. ALL INFORMATION HEREIN SHALL BE KEPT IN A CONFIDENTIAL MANNER AND NOT BE REPRODUCED, COPIED, OR TRANSMITTED IN ANY MANNER WITHOUT THE WRITTEN CONSENT OF CM SPRINKLER DESIGN, INC.

**DISCLAIMER**

THIS DRAWING IS INTENDED TO SHOW THE GENERAL ARRANGEMENT AND EXTENT OF WORK TO BE DONE. THE LOCATIONS OF WORK ARE APPROXIMATE AND ARE SUBJECT TO MODIFICATIONS AS MAY BE REQUIRED BY THE CONTRACTOR TO MEET ANY OBSTRUCTIONS OR CONDITIONS OF THE EXISTING WORK. THE CONTRACTOR SHALL BE RESPONSIBLE FOR VERIFYING ALL CONDITIONS AND FOR OBTAINING ALL NECESSARY PERMITS AND APPROVALS.

**TWO RIVER THEATER COMPANY**

21 BRIDGE AVENUE  
RED BANK, NJ 07070

**FRANK E. PANNONE**  
PROFESSIONAL ENGINEER  
1040A LONG BEACH BLVD.  
NORTH BEACH, NJ 08008  
PHONE: 609-361-9188  
FAX: 609-494-8417

N.J.P.E. 12861 | N.Y.P.E. 39416 | P.A.P.E. 21098

**FIRE PROTECTION SPRINKLER PLAN COVER PAGE**

DATE: 03/22/19  
PROJECT #: -  
DESIGNER: MS  
SCALE: AS NOTED  
PP-101 | PAGES: 1 OF 4

**RECORD DRAWING**