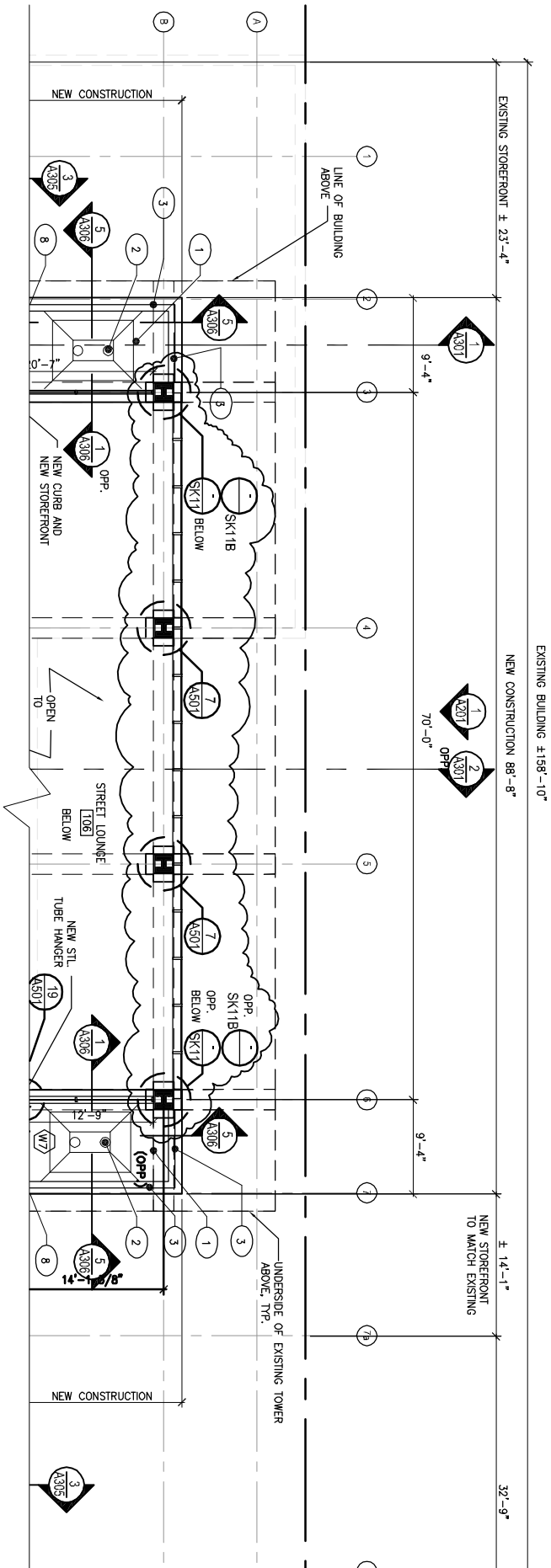


PLAN DETAIL
 CURTAIN WALL TO ALUM COMP. FASLIA

9/23/16



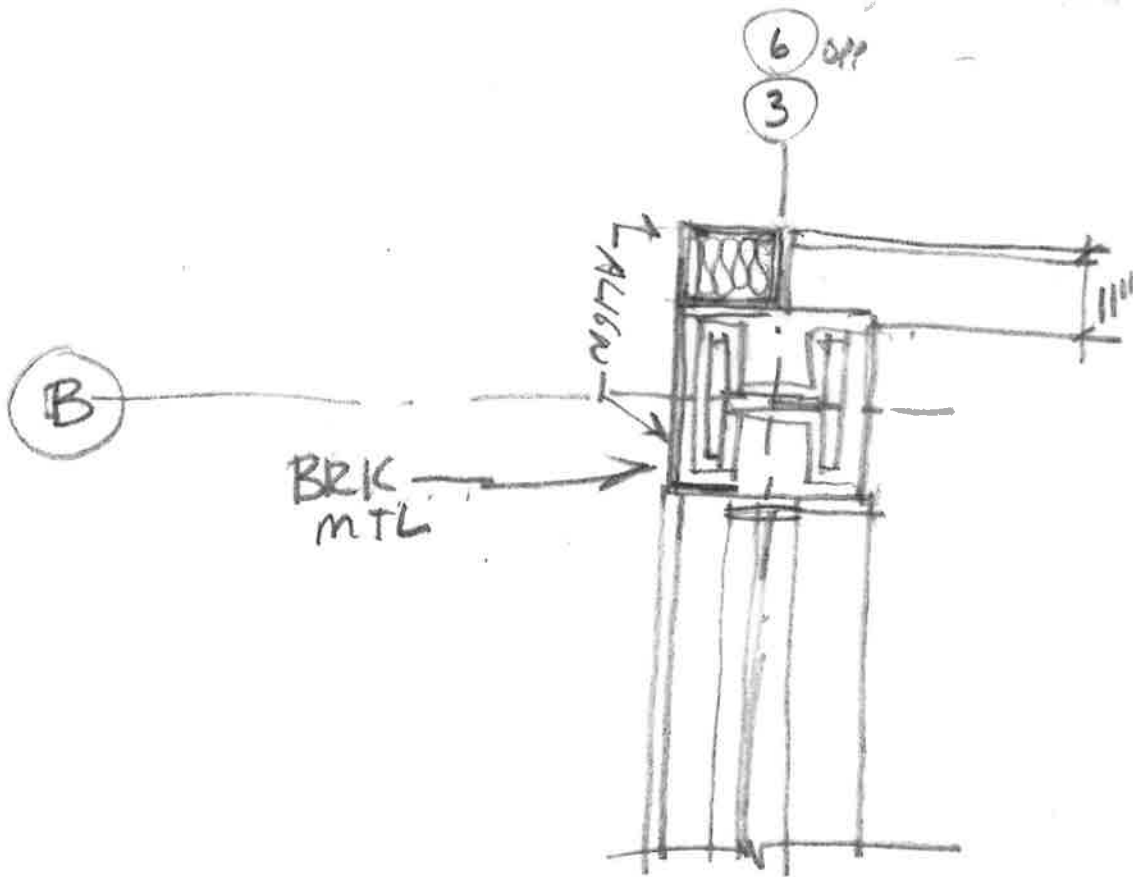
A103-SK-11A DETAIL CALL-OUTS COL-LINE B

SCALE: NTS

09-27-2016
Project # 108813.00

UCC LESSNER BUILDING - ELIZABETH CAMPUS
FIRST FLOOR & LOWER LEVEL RENOVATION
12 West Jersey Street
Elizabeth, NJ 07202

SK-11A
THE MUSIAL GROUP ARCHITECTURE
191 Mill Lane Mountainside, NJ 07092 p. 908.232.2860 f. 908.232.2845



SK-11B

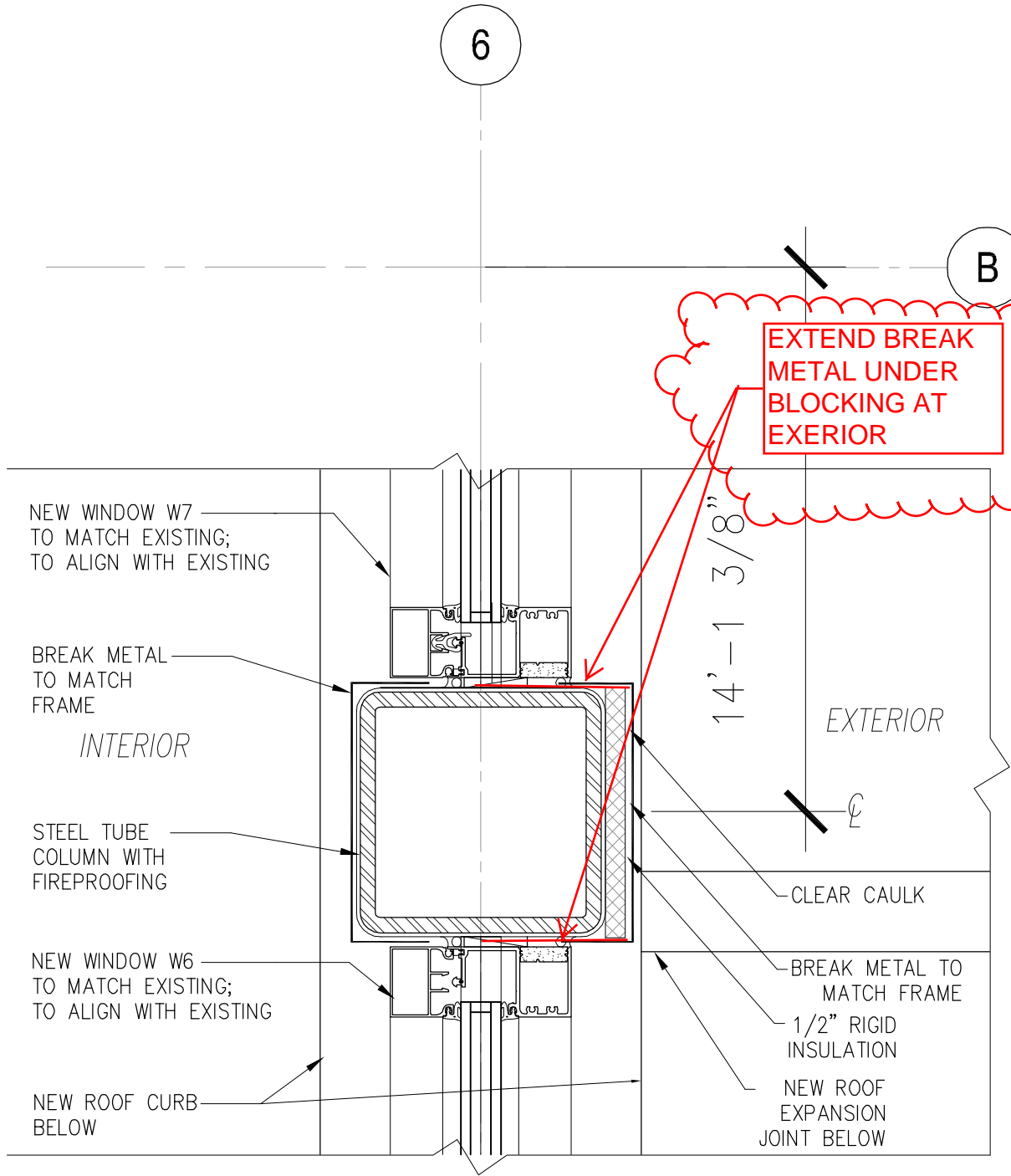
9/23/16

PLAN DETAIL CURTAIN WALL
 9/A511 SEE --- TO COL. ENC.

$\frac{1}{2}'' = 1'-0''$

6

B



WINDOW W-7 AND W-6 JAMB DETAIL

SCALE: 3" = 1'-0"

LESSNER 1ST FLR ADDITION & 1ST FLR & LOWER LEVEL REHABILITATION

12 West Jersey Street
Elizabeth, NJ 07202

SK-011D-R1

14 December 2016

~~23 September 2016~~

~~Project # 108813.00~~

SK-011-D_A501