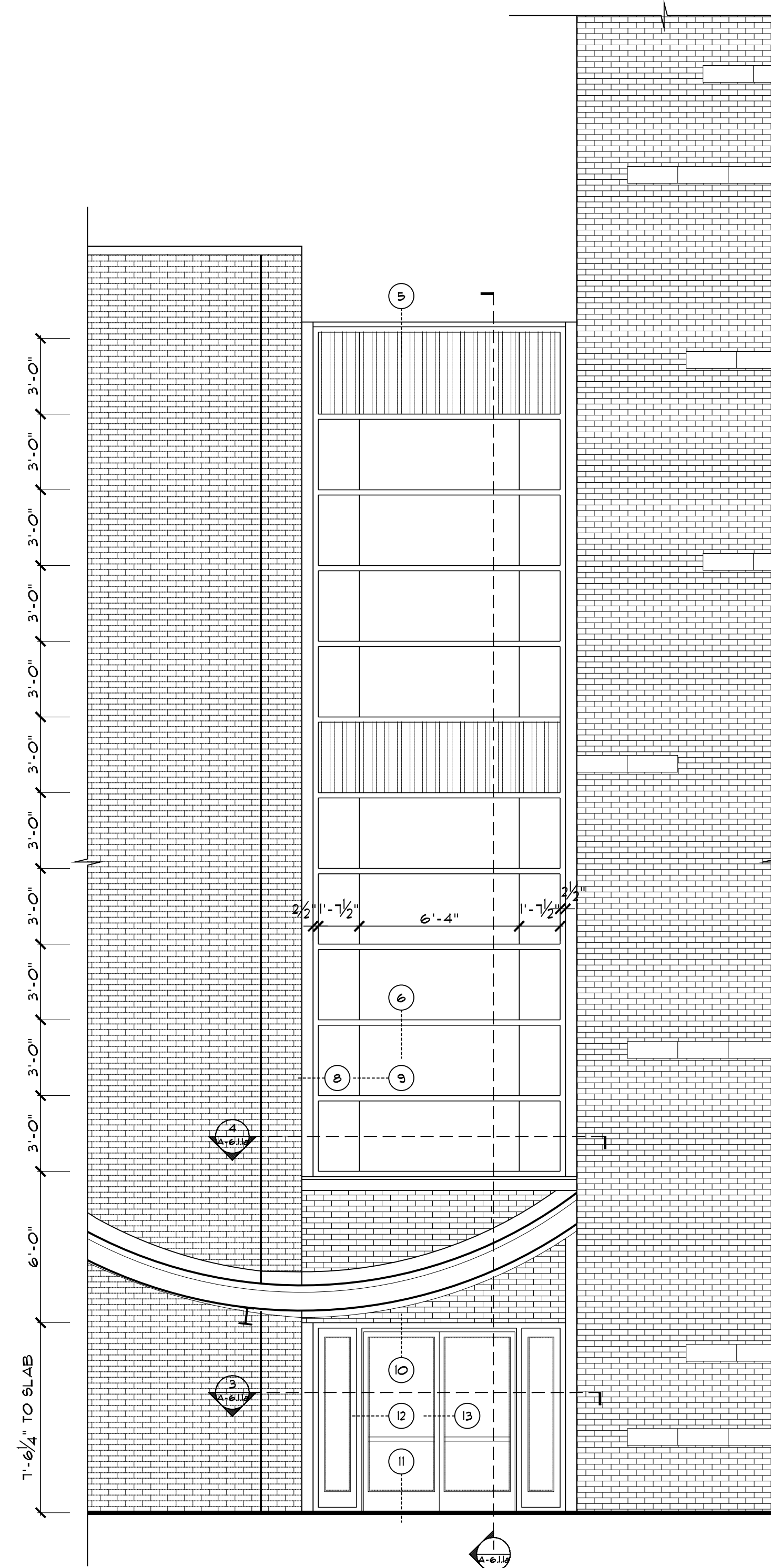
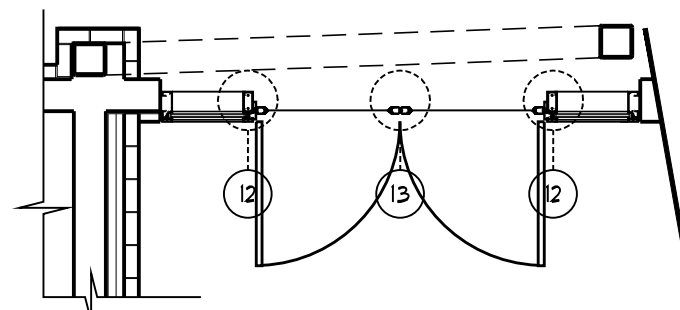


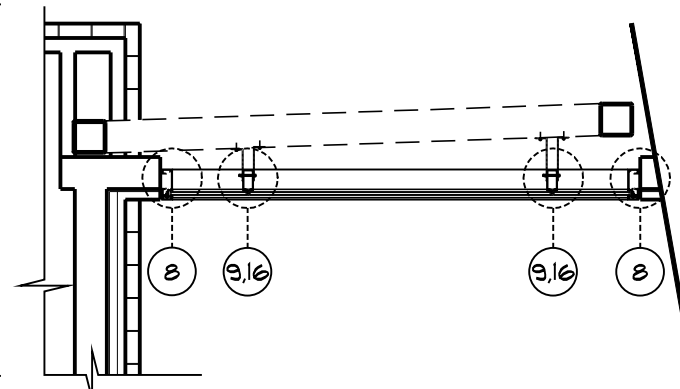
1 FRONT ENTRY SECTION  
SCALE: 1/4" = 1'-0"



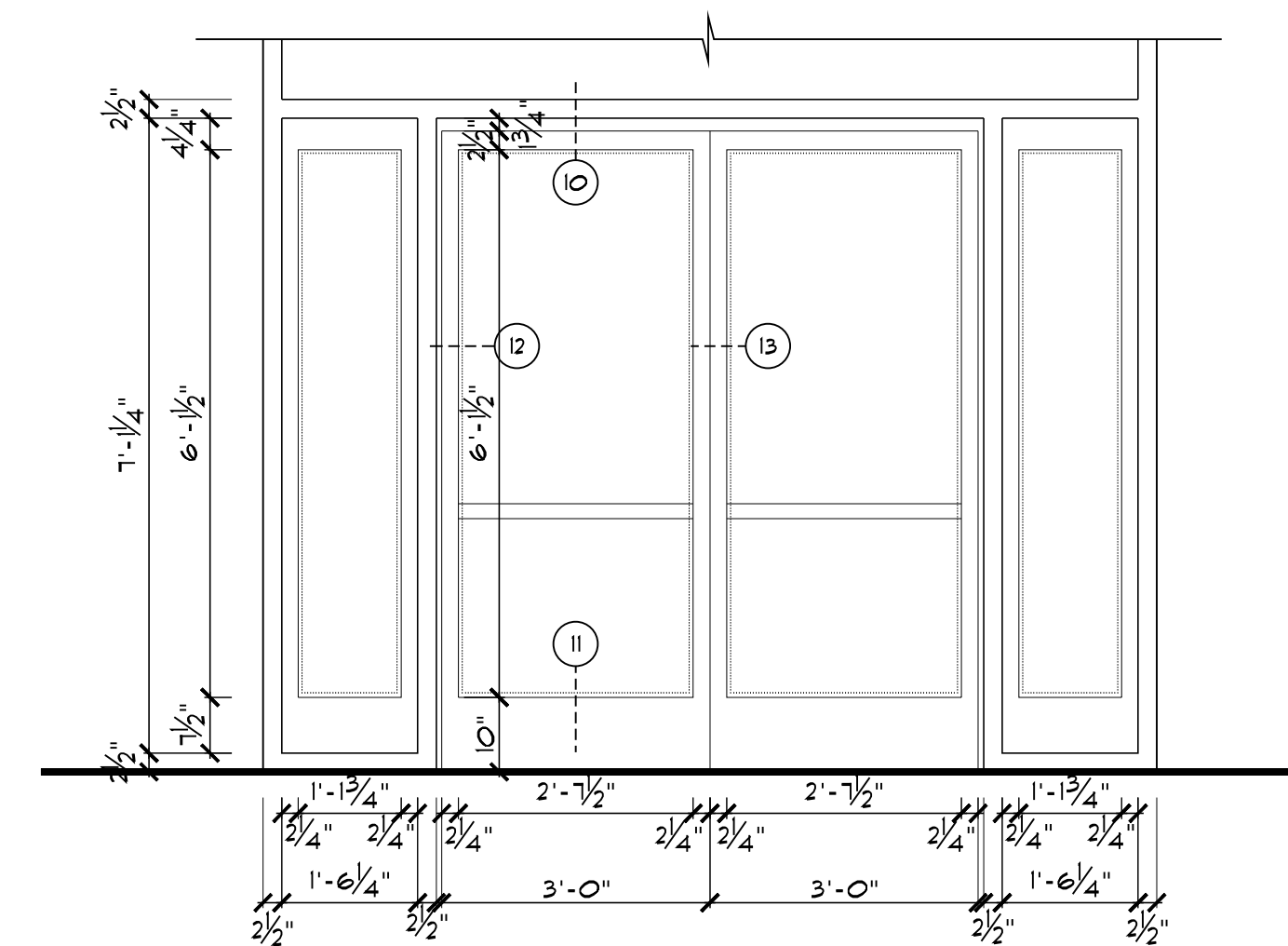
2 FRONT ENTRY ELEVATION  
SCALE: 1/4" = 1'-0"



3 FRONT ENTRY PLAN  
SCALE: 1/4" = 1'-0"



4 FRONT ENTRY PLAN  
SCALE: 1/4" = 1'-0"



2a FRONT ENTRY DETAIL  
SCALE: 1/2" = 1'-0"

WINDOW SCHEDULE									
NUMBER	TYPE	SIZE (WxH)	MANUFACTURER	STYLE	OPERATION	FIRE RATING (MIN.)	ACOUSTIC RATING (MIN.)	SHEET NUMBER	REMARKS
1	CURTAIN WALL	SEE PLANS & ELEV.	KAWNEER	1600, SYSTEM 2	FIXED			A-6.1.1	
2	PUNCHED OPENING	60"x60" OVER 60"x36"	KAWNEER	1600, SYSTEM 1	FIXED AWNING LIMITED OPENING			A-6.1.2	
3	PUNCHED OPENING	60"x60"	KAWNEER	1600, SYSTEM 1	AWNING LIMITED OPENING			A-6.1.2	
3a	PUNCHED OPENING	60"x60"	KAWNEER	1600, SYSTEM 1	FIXED			A-6.1.2	
4	PUNCHED OPENING	60"x36"	KAWNEER	1600, SYSTEM 1	AWNING LIMITED OPENING			A-6.1.2	
5	TRANSOM	42"x26"	KAWNEER	TRIFAB 451	FIXED		37	A-6.1.3	1" LAMINATED GLASS
6	VISION PANEL	30"x42"	KAWNEER	TRIFAB 450	FIXED	45		A-6.1.3	
7	VISION PANEL	42"x60"	KAWNEER	TRIFAB 450	FIXED			A-6.1.3	
8	VISION PANEL	42"x42"	NOISE BARRIER	QUITE LITE SOUND CONTROL WINDOWS MODEL "HM"	FIXED		50	A-6.1.3	DOUBLE PANE
8a	VISION PANEL	42"x42"			FIXED	45	50	A-6.1.3	DOUBLE PANE
9	VISION PANEL	42"x60"			FIXED		50	A-6.1.3	DOUBLE PANE

**KAPLAN GAUNT DESANTIS ARCHITECTS**  
 241 Maple Avenue  
 Red Bank, NJ 07701  
 p: 732.842.8021  
 f: 732.747.7634  
 www.kgdsarch.com

Edmund H. Gaunt, Jr., AIA  
 CS251  
 A Limited Liability Company

**TWO RIVER THEATER COMPANY**  
 LOTS 22, 22.01, 22.02, BLOCK 36  
 WEST STREET  
 RED BANK, NEW JERSEY

WINDOW ELEVATIONS & DETAILS (CURTAIN WALLS)  
 scale: as noted  
 do not scale drawings

drawn by: eib / lat / rcg  
 checked by: rfd / ehg

date	revision
7.23.18	conformed set

2.1.18  
 2010-18  
 BID SET  
 A-6.1.1a

Copyright 2018 Kaplan Gaunt Desantis Architects. All rights reserved.