



**PORT AUTHORITY**  
TRANS-HUDSON CORPORATION

GANNETT FLEMING, P.C.  
ENGINEERS AND ARCHITECTS

*[Signature]*  
JOHN D. PURDY  
N.J. Professional Engineer # 246E03967100

1	02/13/09	ADDENDUM No. 4 REVISED NOTATION	J.D.P.
No.	Date	Revision	Approved

ENGINEERING DEPARTMENT

**JOURNAL  
SQUARE  
TRANSPORTATION  
CENTER**

MECHANICAL

Title  
**BUS TERMINAL  
ESCALATOR REPLACEMENT**

**ESCALATOR DETAILS**

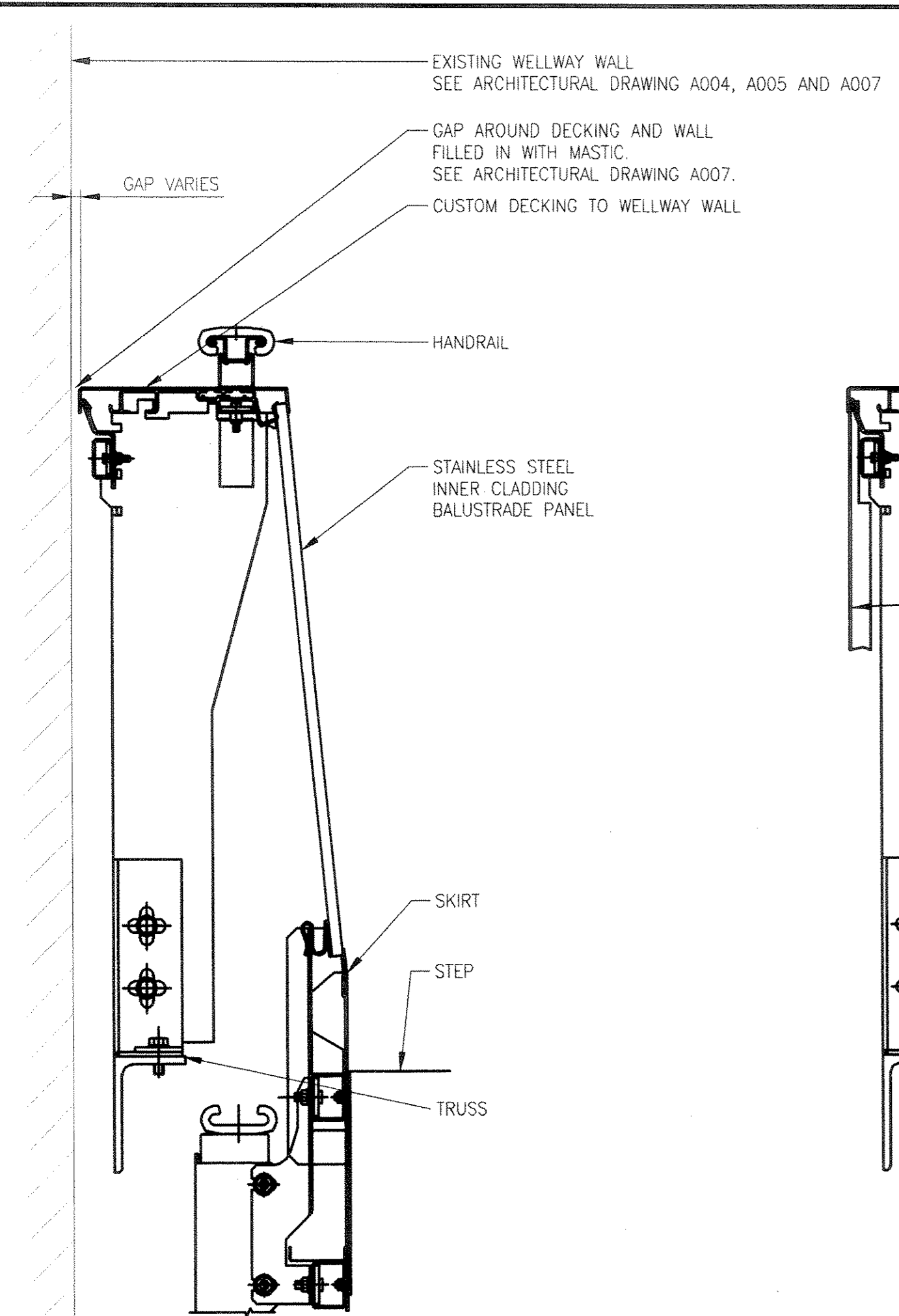
This drawing subject to conditions in contract. All inventions, ideas, designs and methods herein are reserved to Port Authority and may not be used without its written consent.  
All recipients of Contract documents, including bidders and those who do not bid and their prospective subcontractors and suppliers who may receive all or a part of the Contract documents or copies thereof, shall make every effort to ensure the secure and appropriate disposal of the Contract documents to prevent further disclosure of the information contained in the documents. Secure and appropriate disposal includes methods of document destruction such as shredding or arrangements with refuse handlers that ensure that third persons will not have access to the documents' contents either before, during, or after disposal. Documents may also be returned for disposal purposes to the Contract Desk on the 3rd Floor, 3 Gateway Center, Newark NJ 07102 or the office of the Director of Procurement, One Madison Avenue, 7th Floor, New York, NY 10017.

S. STEINER S. STEINER S. FITZGERALD  
Designed by Drawn by Checked by  
Date 11/17/2008

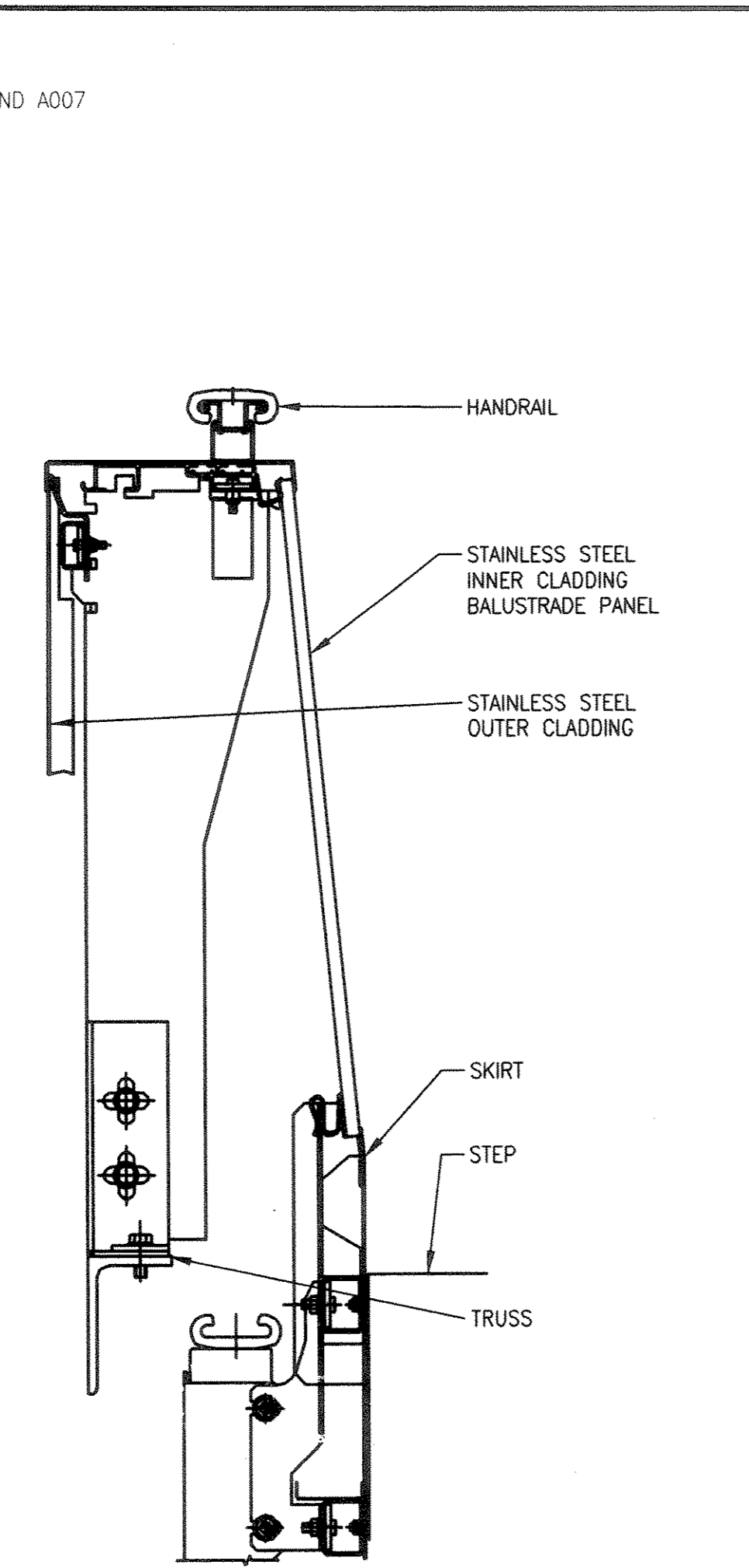
Contract Number **PAT-214.004**

Drawing Number **VT021**  
PID# 07957000

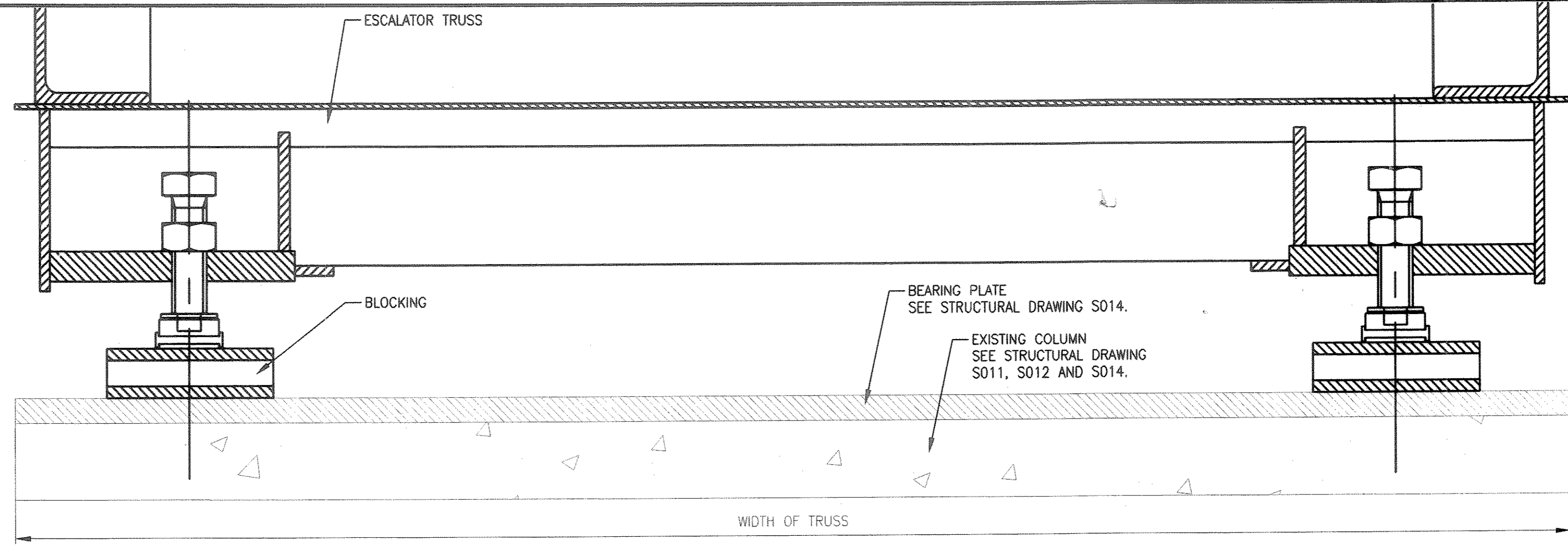
*they expected steel on #*  
*adhesion*



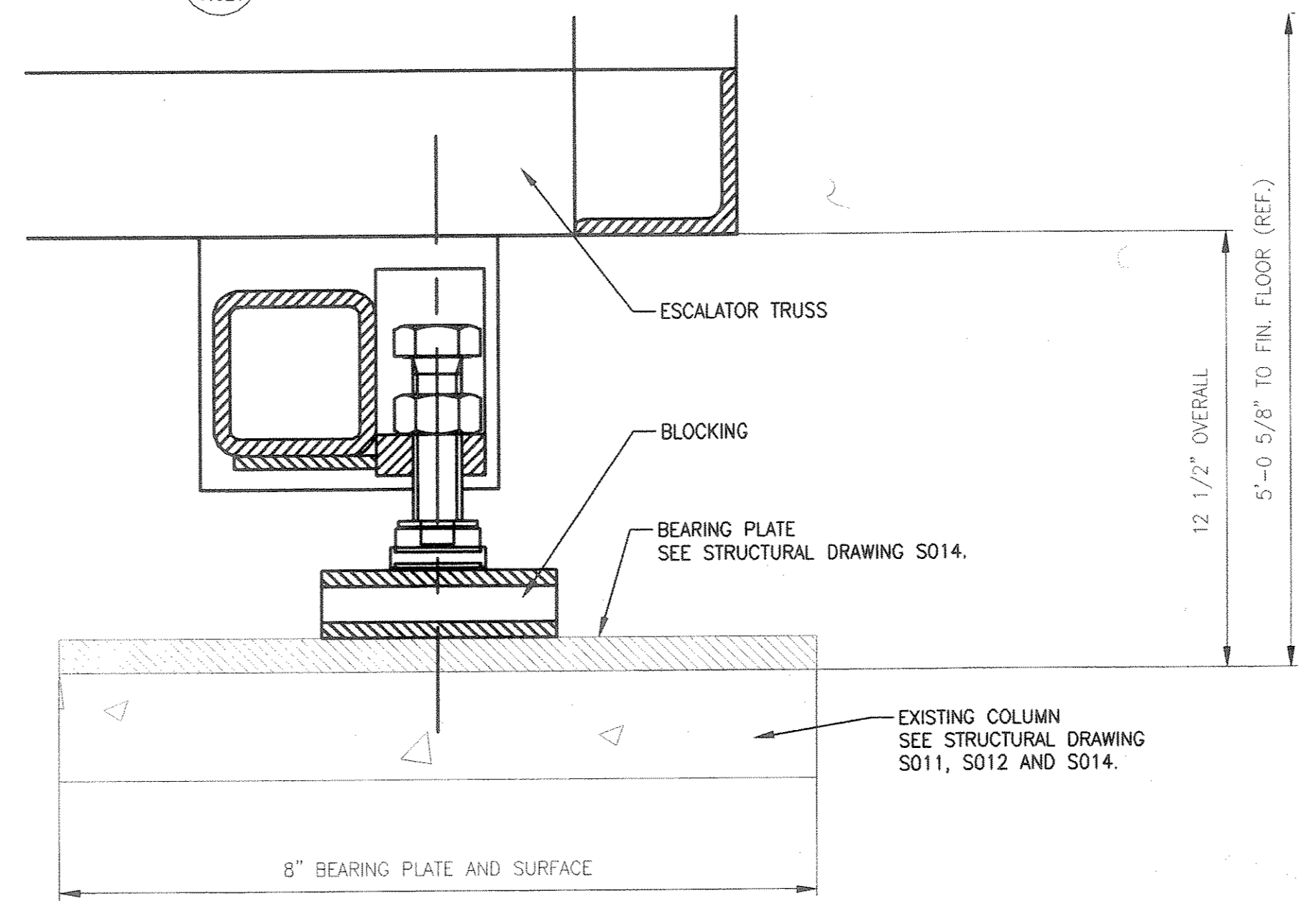
**D 1**  
VT021 NOT TO SCALE  
**BALUSTRADE DETAIL- HIGH DECK  
INCLINE AND WELLWAY WALL REFERENCE**



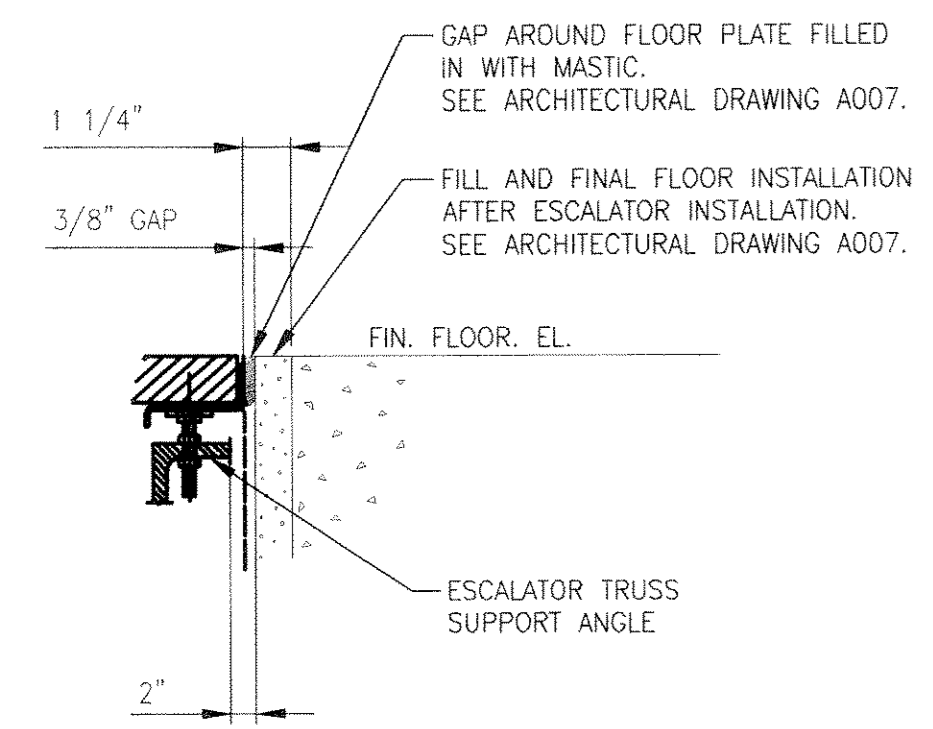
**D 2**  
VT021 NOT TO SCALE  
**BALUSTRADE DETAIL- HIGH DECK  
UPPER AND LOWER END REFERENCE**



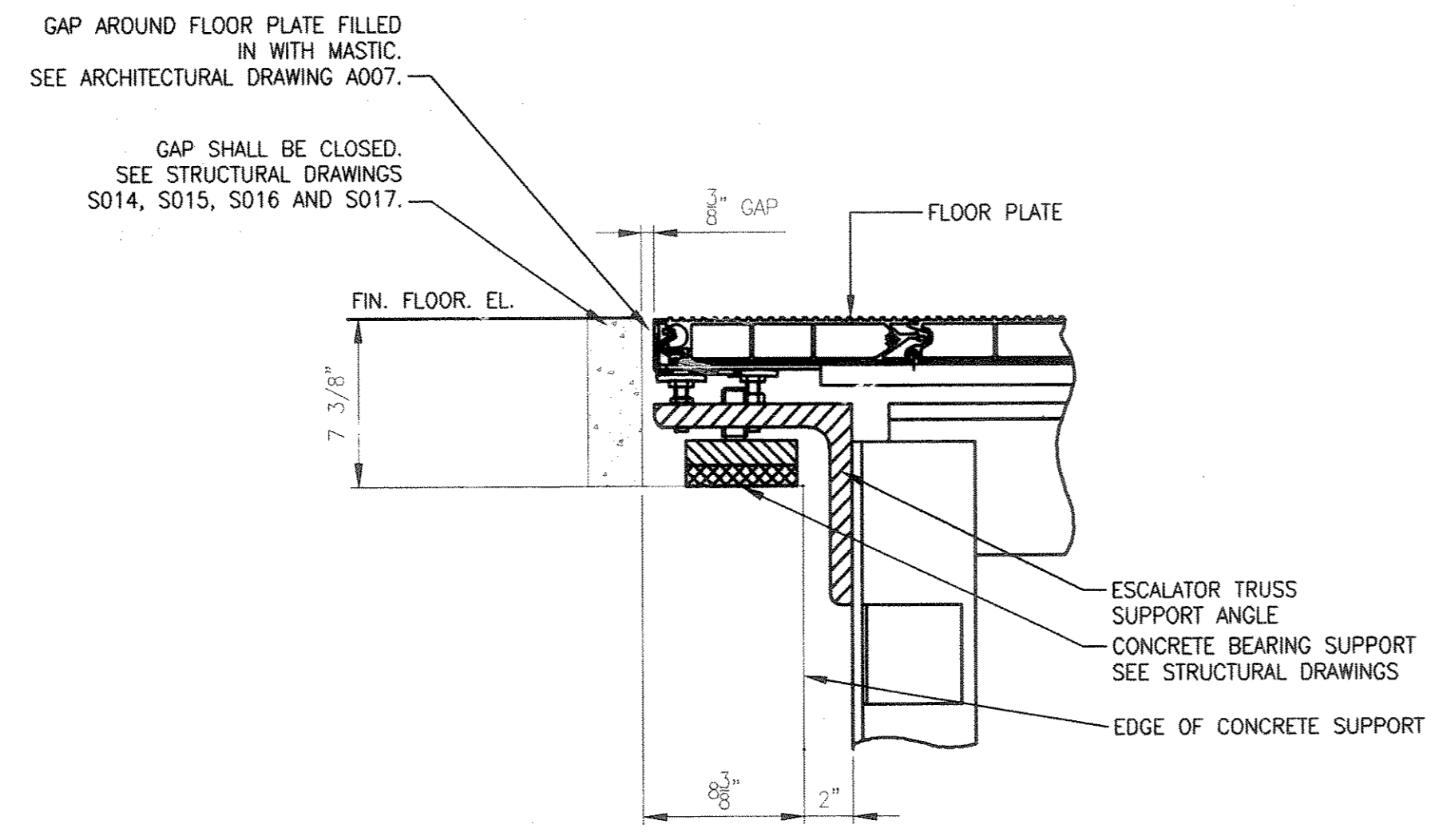
**D 7**  
VT021 NOT TO SCALE  
**UNDER TRUSS BEARING SUPPORT  
TRANSVERSE SECTION REFERENCE**



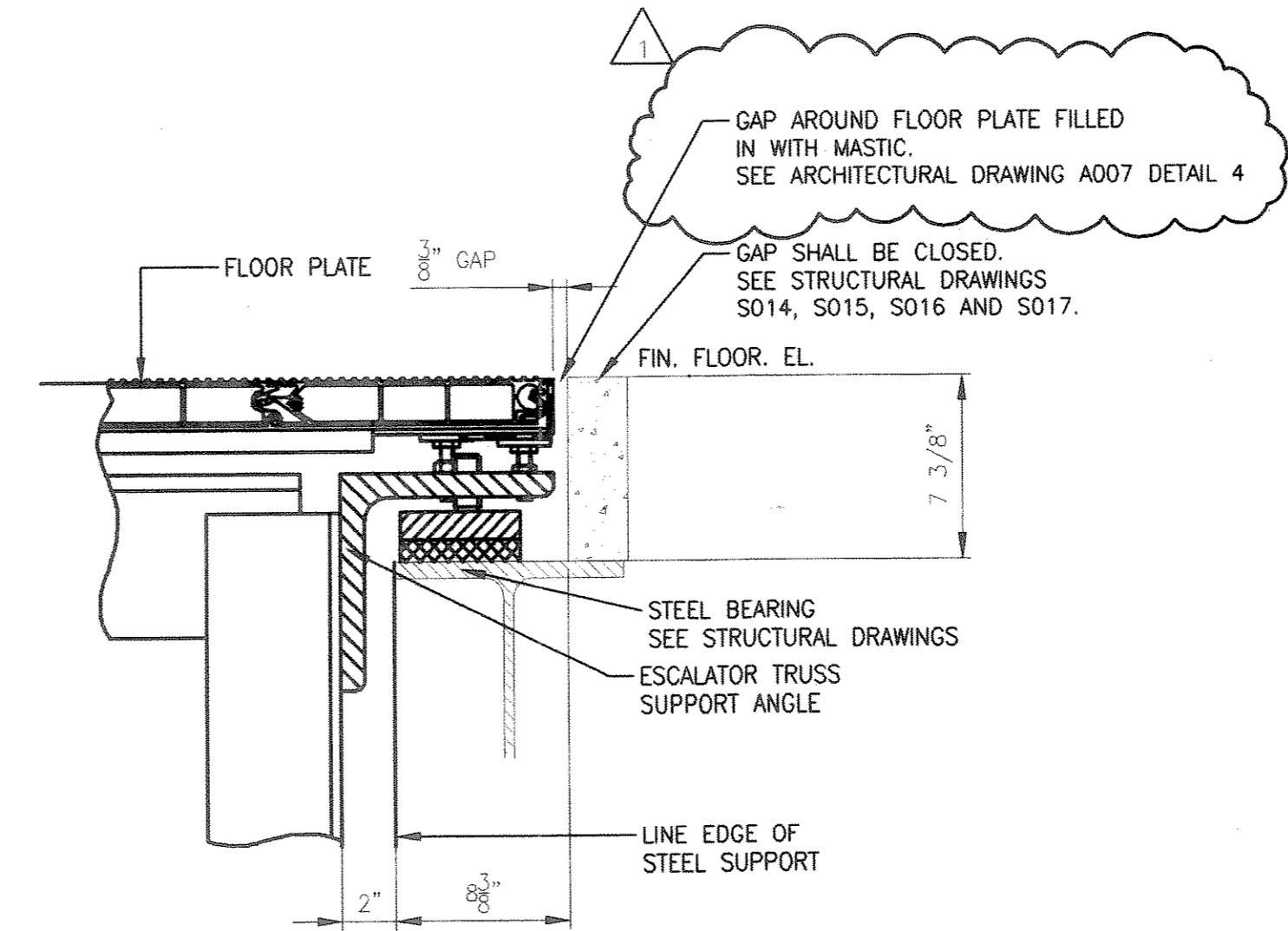
**D 6**  
VT021 NOT TO SCALE  
**UNDER TRUSS BEARING SUPPORT  
LONGITUDINAL SECTION REFERENCE**



**D 4**  
VT021 NOT TO SCALE  
**FINISHED FLOOR  
DETAIL REFERENCE**



**D 5**  
VT021 NOT TO SCALE  
**ESCALATOR SUPPORT DETAIL  
CONCRETE SUPPORT REFERENCE**



**D 3**  
VT021 NOT TO SCALE  
**ESCALATOR SUPPORT DETAIL  
STEEL SUPPORT REFERENCE**