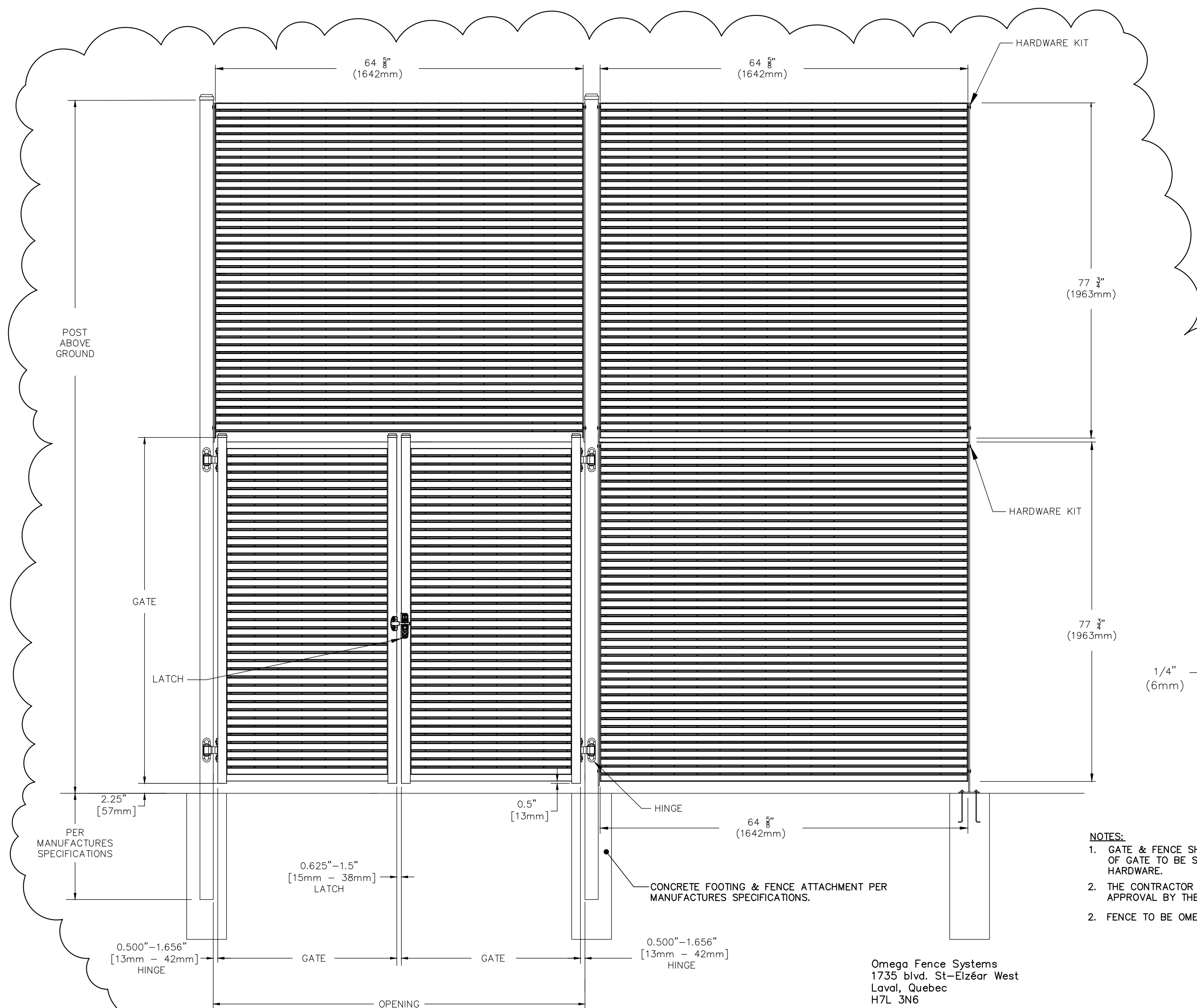
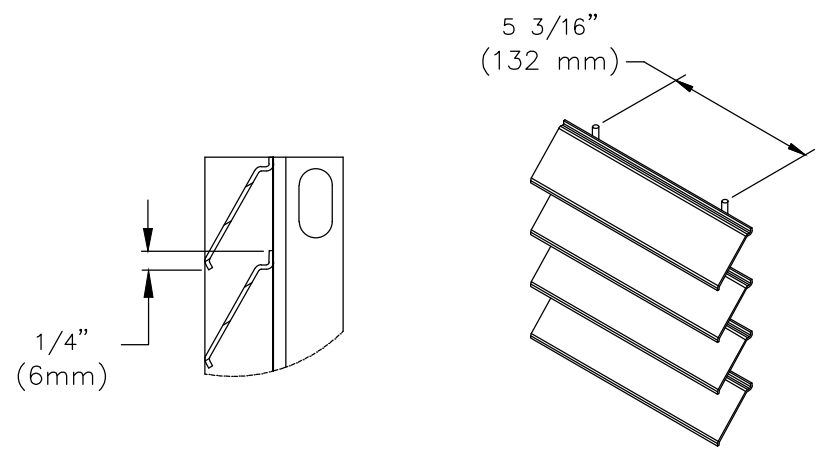


c:\10k\10700\10713 - Essex County West Caldwell Tech HS\10713.001 - Site & Survey\CADD\DWG\10713.001 - CD1.dwg DETAILS4



13' HIGH OMEGA 100 PANEL MOUNTED FENCE & DOUBLE SWING GATE
NOT TO SCALE

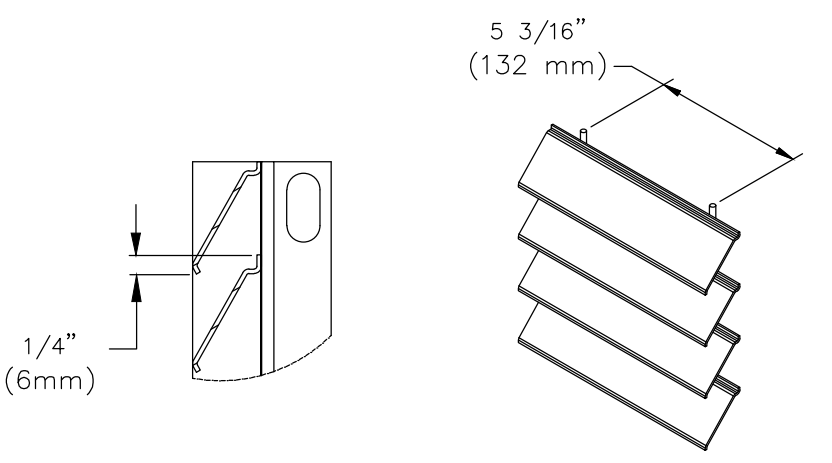
HORIZONTAL LOUVERS	0.08" THICK
VERTICAL FLAT	2" x 11GA
VERTICAL WIRES	3mm 8GA



PANEL HEIGHT	NUMBER OF BRACKET KITS PER POST
77"H	3

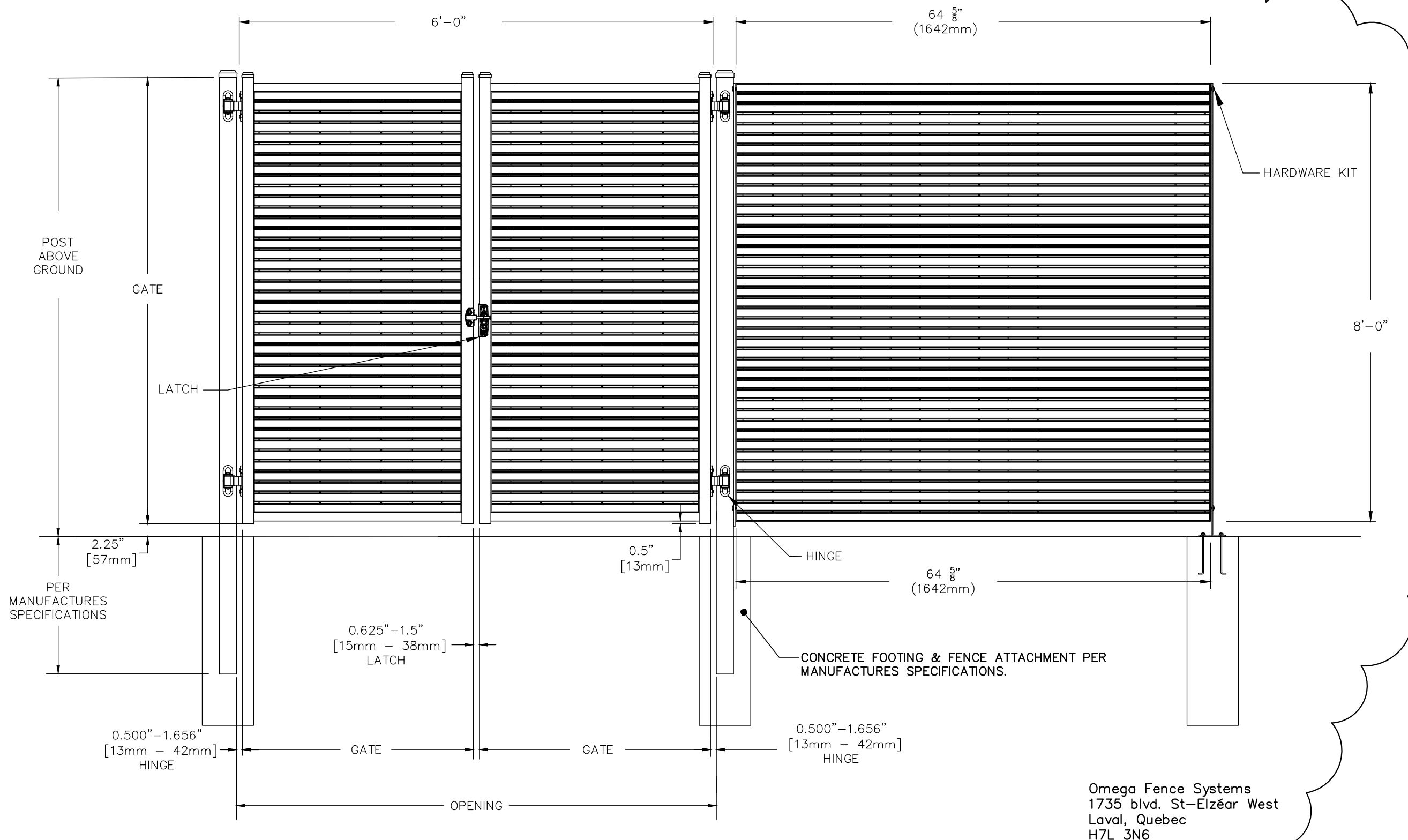
- NOTES:**
- GATE & FENCE SHALL GALVANIZED FACTORY PAINTED STEEL. COLOR OF GATE TO BE SELECTED BY THE OWNER, INCLUDING POSTS AND HARDWARE.
 - THE CONTRACTOR TO SUBMIT SHOP DRAWINGS FOR REVIEW AND APPROVAL BY THE OWNER PRIOR TO ORDERING ANY MATERIALS.
 - FENCE TO BE OMEGA 100 PANEL OR APPROVED EQUAL

HORIZONTAL LOUVERS	0.08" THICK
VERTICAL FLAT	2" x 11GA
VERTICAL WIRES	3mm 8GA

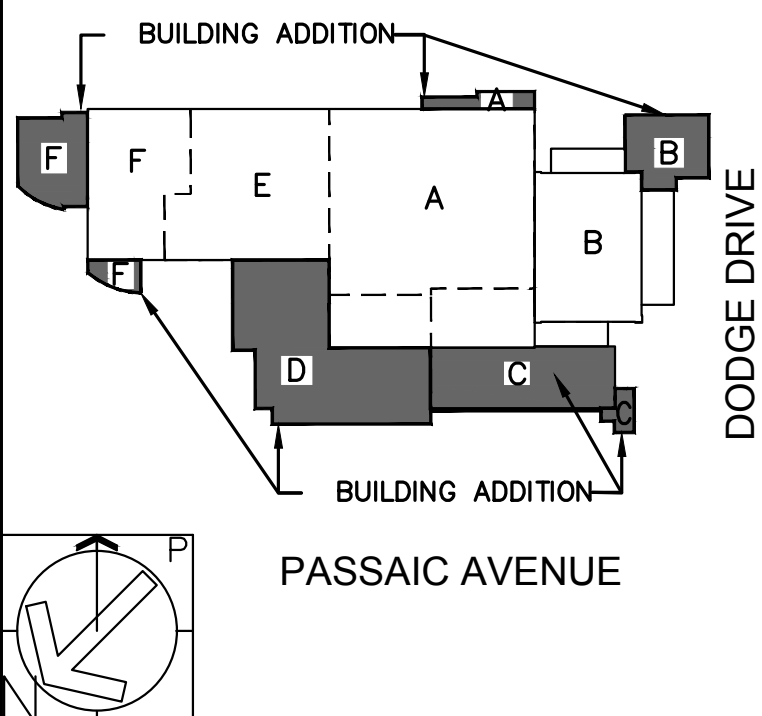
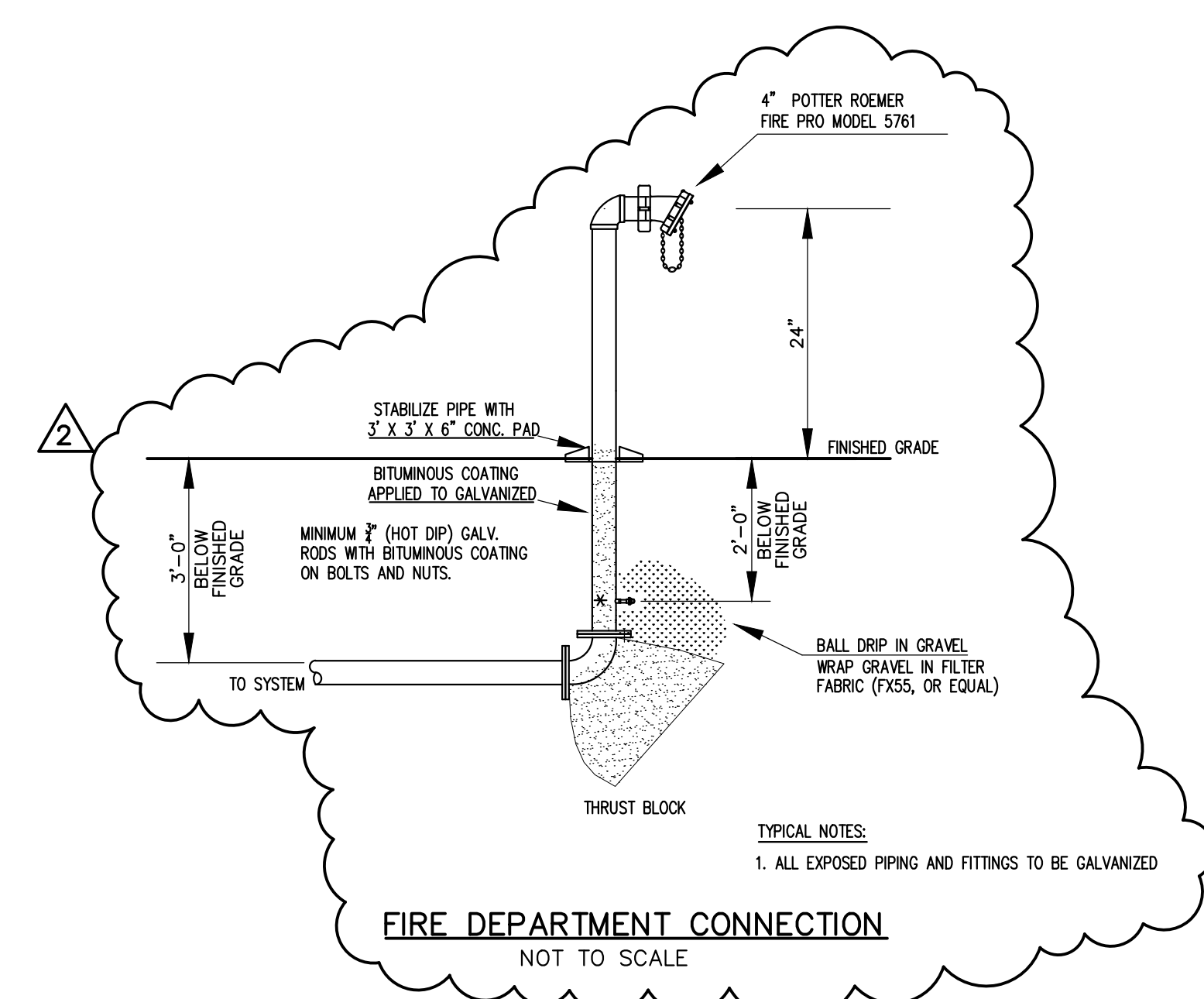


PANEL HEIGHT	NUMBER OF BRACKET KITS PER POST
77"H	3

- NOTES:**
- GATE & FENCE SHALL GALVANIZED FACTORY PAINTED STEEL. COLOR OF GATE TO BE SELECTED BY THE OWNER, INCLUDING POSTS AND HARDWARE.
 - THE CONTRACTOR TO SUBMIT SHOP DRAWINGS FOR REVIEW AND APPROVAL BY THE OWNER PRIOR TO ORDERING ANY MATERIALS.
 - FENCE TO BE OMEGA 100 PANEL OR APPROVED EQUAL



8' HIGH OMEGA 100 PANEL MOUNTED FENCE & DOUBLE SWING GATE
NOT TO SCALE



di cara rubino architects
30 galesi drive
wayne, nj 07470
tel 973.256.0202 | fax 973.256.0227

MEMBERS OF THE AMERICAN INSTITUTE OF ARCHITECTS

GERMANO RUBINO, AIA NJ # AI 08084
JOSEPH DI CARA, AIA NJ # AI 08285

NOT VALID FOR BUILDING UNLESS SIGNED AND SEALED BY ARCHITECT

Board President of Schools,
 Superintendent of Schools,

FPA FRENCH & PARELLO ASSOCIATES
Hackettstown Office
43A Newburgh Rd, Suite 100
Hackettstown, NJ 07840
908.850.0977
Corporate - Wall, NJ
New York, NY

D.F. DENIS F. KEENAN, P.E.
PROFESSIONAL ENGINEER N.J. U.C. NO. 46373

BUILDING ADDITIONS AND INTERIOR RENOVATIONS AT THE :

ESSEX COUNTY WEST CALDWELL SCHOOL OF TECHNOLOGY
620 PASSAIC AVENUE
WEST CALDWELL, NJ 07006

ESSEX COUNTY SCHOOLS OF TECHNOLOGY

CIVIL CONSTRUCTION DETAILS

REV.	DATE:	DRN	CHK	DESCRIPTION
	7/11/2016	SKW	DFK	NJDEP SUBMISSION
	8/12/2016	SKW	DFK	SCS SUBMISSION
	1/27/2017	SKW	DFK	ISSUED FOR CODE REVIEW
	8/14/2018	SKW	DFK	ISSUED FOR BID
▲	9/19/2018	SKW	DFK	ADDENDUM 2
▲	10/03/2018	SKW	DFK	ADDENDUM 3

STATE PROJECT NO.
1390-080-16-1000

PROJECT NO. **3003** SHEET NO. **C16.0**