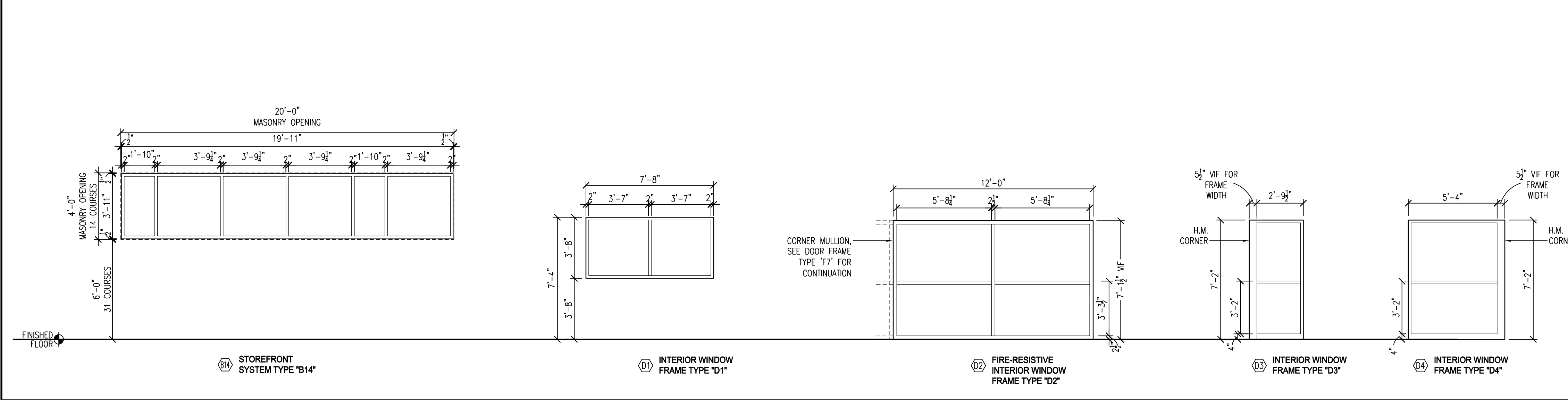
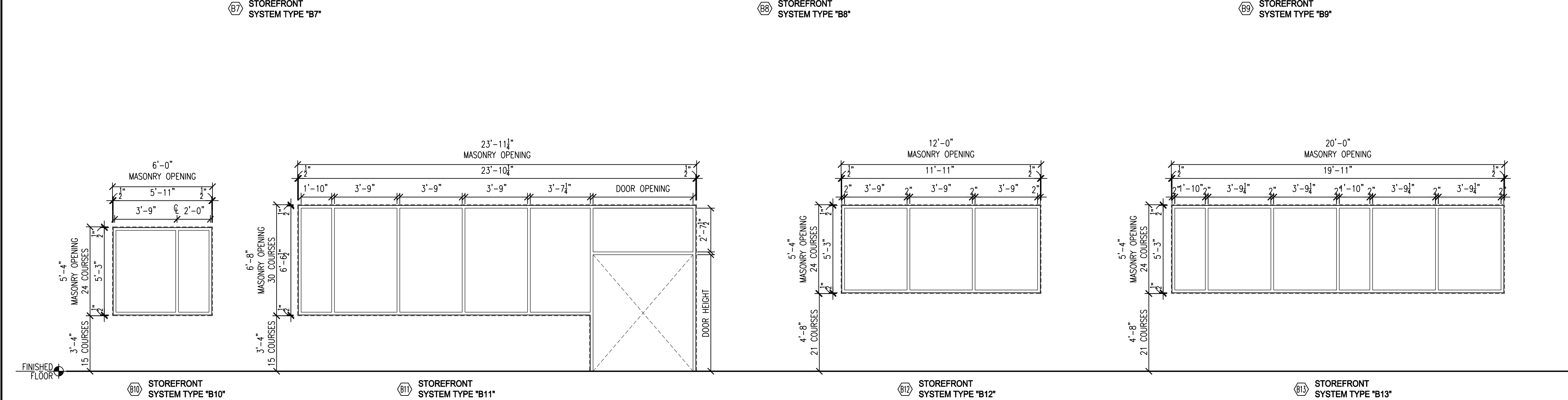
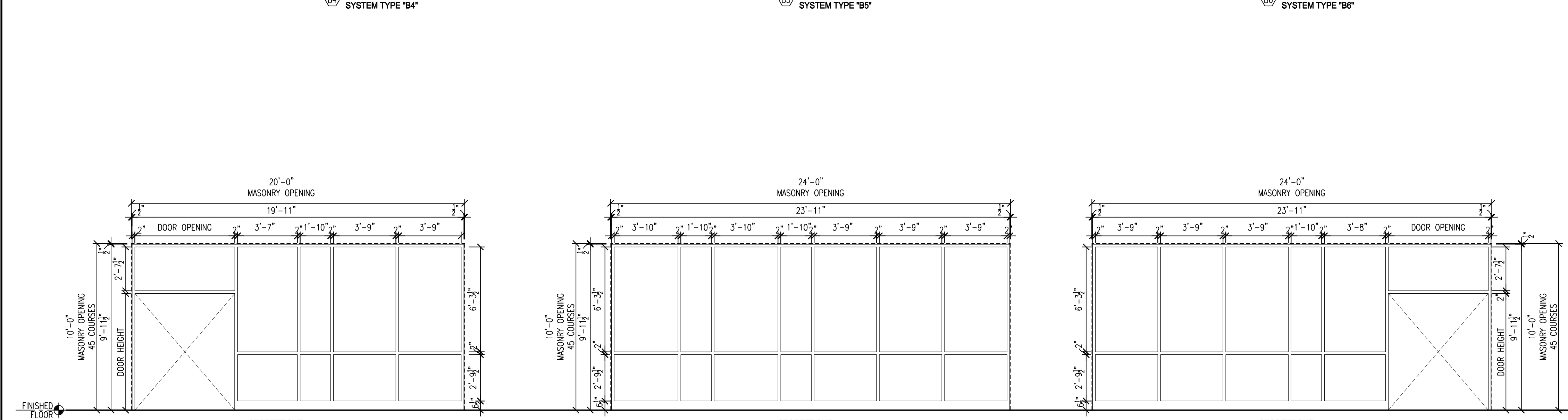
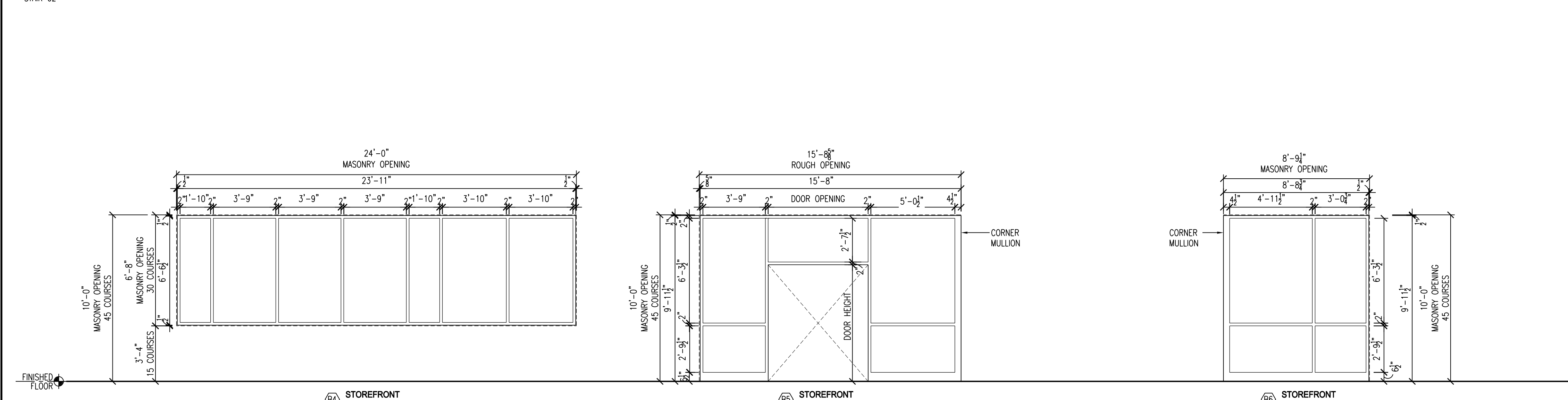
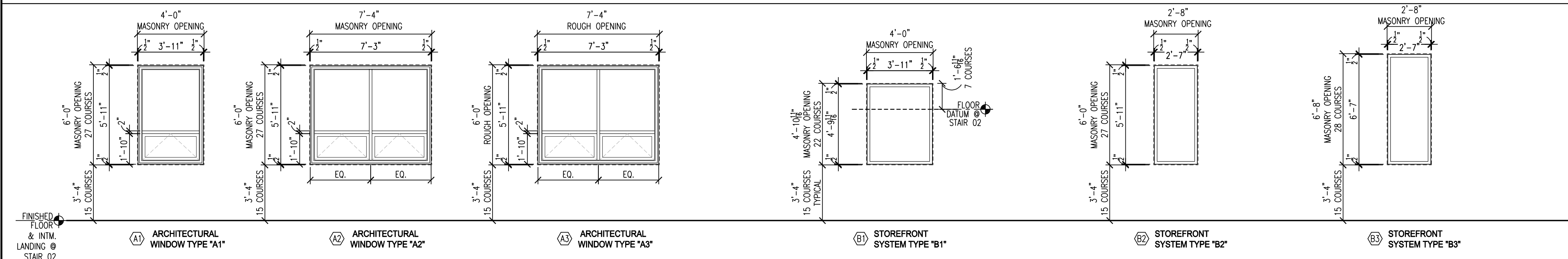


EXTERIOR WINDOW TYPE ELEVATIONS:



WINDOW SCHEDULE GENERAL NOTES:

- ALL WINDOW OPENINGS, WINDOWS, FRAMES, AND HARDWARE SHALL COMPLY WITH ALL APPLICABLE CODES AND U.L. SPECIFICATIONS.
- COORDINATE ALL WINDOW AND FRAME DETAILS TO PROVIDE ADEQUATE CLEARANCE AND FRAME REINFORCEMENT FOR HARDWARE TYPES. SEE SPECIFICATIONS FOR HARDWARE MOUNTING TYPES & HEIGHTS.
- V.I.F. ALL ROUGH OPENINGS AND MASONRY OPENINGS
- ALL GLASS, ACOUSTIC AND WEATHER SEAL SURFACES SHALL BE PRE-FINISHED.
- ALL FIRE RATED WINDOWS TO RECEIVE LABELED FRAMES AND GLAZING PER N-IBC 2015 TABLE 716.5.3 MARKING FIRE-RATED GLAZING ASSEMBLIES.
- ALL WINDOW SIZES ARE JAMB (FRAME) OPENING SIZE U.O.N.
- V.I.F. ALL HOLLOW METAL FRAME THROAT WIDTHS WITH WALL ASSEMBLY WIDTHS AT ALL LOCATIONS.
- CATEGORY II SAFETY GLAZING IS REQUIRED AT ALL GLAZED WINDOW OPENINGS AND PANELS ADJACENT TO A DOOR WHERE THE NEAREST EXPOSED EDGE OF THE GLAZING IS WITHIN A 24 INCH ARC OF EITHER THE VERTICAL EDGE OF THE DOOR IN A CLOSED POSITION AND WHERE THE BOTTOM EXPOSED EDGE OF THE GLAZING IS LESS THAN 60" ABOVE THE WALKING SURFACE.
- ALL OPERABLE VENTS TO HAVE A 4" LIMITER INSTALLED AND INTERIOR BUG SCREEN.
- WINDOWS MARKED AS 'FRA' OR LABELED AS FIRE-RESISTIVE SHALL BE PART OF A FULL ASSEMBLY OF FRAME AND GLAZING MEETING THE REQUIREMENTS OF FIRE-RESISTANCE RATED WALL CONSTRUCTION FOR THE DURATION INDICATED AND LABELED AS 'W-XX' WHERE XX IN THE DURATION REQUIRED PER 2015 IBC-NU 716.2.
- REFER TO GLAZING SCHEDULE ON A-901 FOR ALL GLAZING TYPES
- GLAZING MARKED "SPANDREL" ON THE WINDOW ELEVATIONS SHALL USE THE SAME INSULATED GLAZING MAKE-UP AS MARKED IN THE WINDOW SCHEDULE WITH AN OPACIFIER APPLIED TO THE #4 SURFACE (INSIDE FACE OF INTERIOR USE).
- OPACIFIER BASIS OF DESIGN: WATER BASED SILICONE COATING "OPACI-COAT-300 BY ICD COATINGS INC." OR APPROVED EQUAL. COLOR TO BE SELECTED BY ARCHITECT FROM MANF. STANDARD RANGE.

WINDOW SCHEDULE ABBREVIATIONS:

ALUM	ALUMINUM
FRA	FIRE-RESISTIVE ASSEMBLY
GL	GLAZING/GLASS
HM	HOLLOW METAL
MTL PNL	METAL PANEL
NR	NOT REQUIRED / NOT RATED
STL	STEEL
TEMP	TEMPERED GLAZING
TEMP LAM	TEMPERED LAMINATED GLAZING

SOLAR CONTROL:

BS BLACKOUT SHADE, NO SIDE TRACKS
 SS SOLAR SHADE
 -E ELECTRICALLY OPERATED
 -M MANUALLY OPERATED

WINDOW SCHEDULE FINISH LEGEND

COLOR #1: MATCH "PLATINUM" PREMIUM MICA FINISH BY REYNOLDBOND

COLOR #2: SEMI-GLOSS PAINTED FINISH. SEE FINISH SCHEDULE FOR COLOR AND SPECS

COLOR #3: MATCH "PATINA GREEN" FINISH BY FIRE-STONE UNA-CLAD (AT BOB #1 RECEPTOR & SUB-SILL)

WINDOW SCHEDULE NOTE LEGEND

BOB #1: ARCHITECTURAL WINDOW BOB: "KAWNEER NK3000 SERIES WITH PROJECT OUT OPERABLE VENT & CUSTOM EXTRUDED DEEP EXTENSION RECEPTOR AND CUSTOM EXTRUDED DEEP EXTENSION SUB-SILL" WINDOW FRAME AND MULLION TO BE PRE-FINISHED IN COLOR #1. RECEPTOR & SUB-SILL TO BE PRE-FINISHED IN COLOR #3; SEE DETAILS

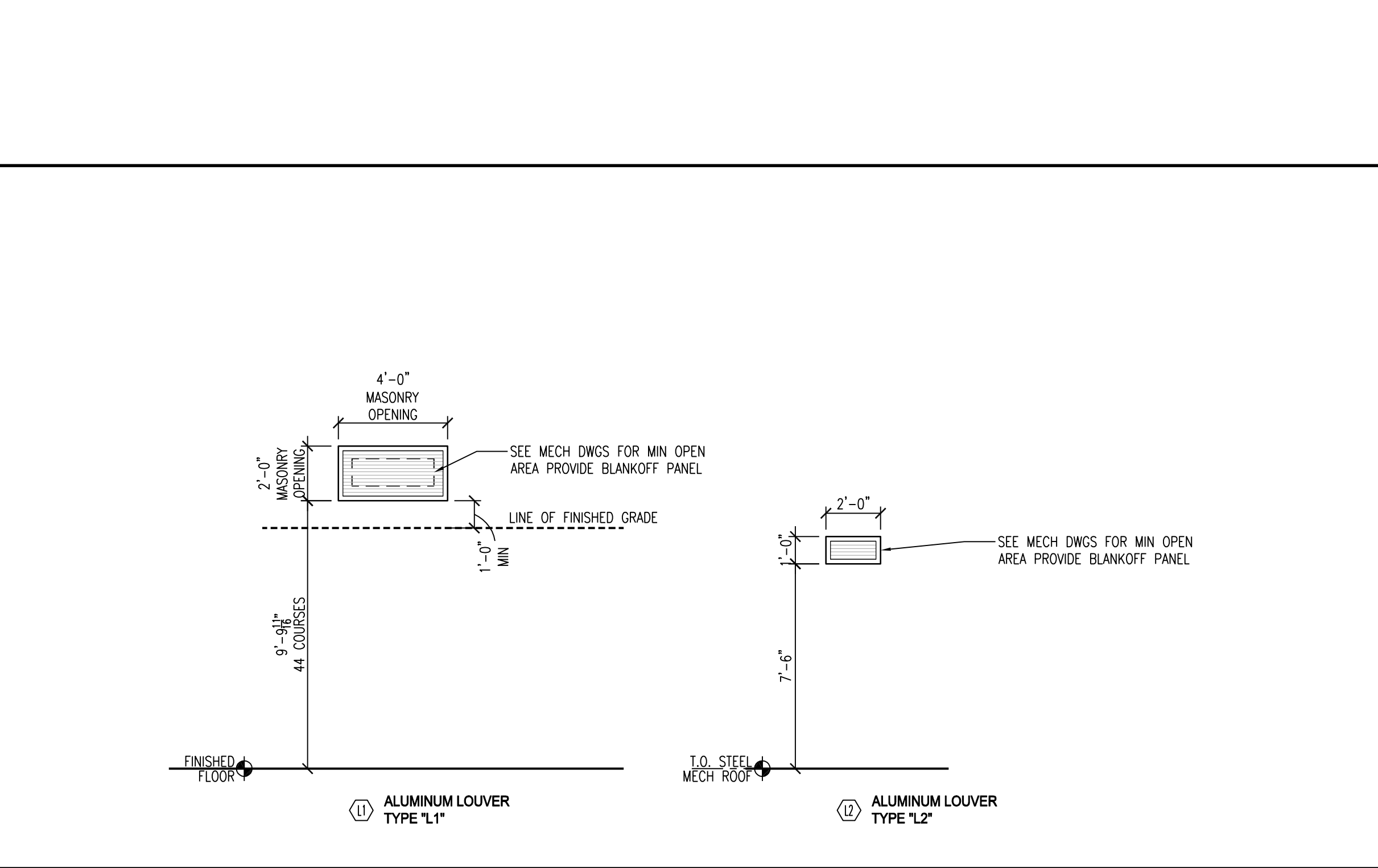
BOB #2: STOREFRONT SYSTEM BOB: "KAWNEER TRIFAB VG 4510" PROVIDE WITH HIGH PERFORMANCE SUB-SILL FLASHING WITH THERMALLY IMPROVED ENTRANCE SYSTEM BOB: "KAWNEER 560 INSULCLAD THERMAL ENTRANCE"

BOB #3: CURTAINWALL SYSTEM BOB: "KAWNEER 1600UT SERIES SYSTEM #1" EXTERIOR GLAZED, THERMALLY BROKEN MULLION, PROVIDE WITH SUB-SILL

BOB #4: FIRE-RESISTIVE GLAZING ASSEMBLY BOB: "SAFTI-FIRST GPX ARCHITECTURAL SERIES"

EXTERIOR WINDOW SCHEDULE

MARK	WINDOW TYPE/MFR.	MATERIALS		GLAZING TYPE	VENT TYPE	FIRE RATING/LABEL	WINDOW / FRAME DETAILS (SEE SHEET A-720 U.O.N.)			NOTES: (SEE LEGEND ABOVE)
		FRAME	FINISH				HEAD	JAMB	SILL	
A1	ARCHITECTURAL WINDOW: 3-1/4" FRAME W/ CUSTOM RECEPTOR & SILL	ALUM	COLOR #3	GL-01	FIXED / PROJECT-OUT	NOT RATED	M8	F8	A8	BOB #1; 4" LIMITER ON VENT
A2	ARCHITECTURAL WINDOW: 3-1/4" FRAME W/ STANDARD RECEPTOR & SILL	ALUM	COLOR #1	GL-01	FIXED / PROJECT-OUT	NOT RATED	M8	F8	A8	BOB #1; 4" LIMITER ON VENT
A3	ARCHITECTURAL WINDOW: 3-1/4" FRAME W/ STANDARD RECEPTOR	ALUM	COLOR #1	GL-01	FIXED / PROJECT-OUT	NOT RATED	N16/A-721 E16/A-721	A20/A-721 E20/A-721	J16/A-721 E20/A-721	BOB #1A; 4" LIMITER ON VENT
B1	STOREFRONT: 2' X 4-1/2" FRAME	ALUM	COLOR #1	GL-01	FIXED	NOT RATED	M12 (TP)	F12 (TP)	A12 (TP)	BOB #2
B2	STOREFRONT: 2' X 4-1/2" FRAME	ALUM	COLOR #1	GL-01	FIXED	NOT RATED	M12	F12	A12	BOB #2
B3	STOREFRONT: 2' X 4-1/2" FRAME	ALUM	COLOR #1	GL-01	FIXED	NOT RATED	M12	F12	A12	BOB #2
B4	STOREFRONT: 2' X 4-1/2" FRAME	ALUM	COLOR #1	GL-01	FIXED	NOT RATED	M16	F12	A12	BOB #2
B5	STOREFRONT: 2' X 4-1/2" FRAME	ALUM	COLOR #1	GL-01	FIXED	NOT RATED	M12	F12	A16	BOB #2
B6	STOREFRONT: 2' X 4-1/2" FRAME	ALUM	COLOR #1	GL-01	FIXED	NOT RATED	M12	F12	A16	BOB #2
B7	STOREFRONT: 2' X 4-1/2" FRAME	ALUM	COLOR #1	GL-01	FIXED	NOT RATED	M16	F12	A16	BOB #2
B8	STOREFRONT: 2' X 4-1/2" FRAME	ALUM	COLOR #1	GL-01	FIXED	NOT RATED	M16	F12	A16	BOB #2
B9	STOREFRONT: 2' X 4-1/2" FRAME	ALUM	COLOR #1	GL-01	FIXED	NOT RATED	M12	F12	A12	BOB #2
B10	STOREFRONT: 2' X 4-1/2" FRAME	ALUM	COLOR #1	GL-01	FIXED	NOT RATED	M16	F12	A12	BOB #2
B11	STOREFRONT: 2' X 4-1/2" FRAME	ALUM	COLOR #1	GL-01	FIXED	NOT RATED	M16	F12	A12	BOB #2
B12	STOREFRONT: 2' X 4-1/2" FRAME	ALUM	COLOR #1	GL-01	FIXED	NOT RATED	M16	F12	A12	BOB #2
B13	STOREFRONT: 2' X 4-1/2" FRAME	ALUM	COLOR #1	GL-01	FIXED	NOT RATED	M16	F12	A12	BOB #2
C1	CURTAINWALL: 2-1/2' X 7-1/2" FRAME	ALUM	COLOR #1	GL-01	FIXED	NOT RATED	N4/A-722	E8/A-716 E4/A-716	A8/A-722	BOB #3
C2	CURTAINWALL: 2-1/2' X 7-1/2" FRAME	ALUM	COLOR #1	GL-01	FIXED	NOT RATED	N4/A-722	J8/A-716 J4/A-722	A8/A-722 A12/A-722	BOB #3
C3	CURTAINWALL: 2-1/2' X 7-1/2" FRAME	ALUM	COLOR #1	GL-01	FIXED	NOT RATED	N4/A-722	E4/A-722 J4/A-722	A4/A-722 A12/A-722	BOB #3
C4	CURTAINWALL: 2-1/2' X 7-1/2" FRAME	ALUM	COLOR #1	GL-01	FIXED	NOT RATED	N4/A-722	J4/A-722	A4/A-722	BOB #3
C5	CURTAINWALL: 2-1/2' X 7-1/2" FRAME	ALUM	COLOR #1	GL-01	FIXED	NOT RATED	N4/A-722	E4/A-722 J4/A-722	J16/A-712 SM	BOB #3
C6	CURTAINWALL: 2-1/2' X 7-1/2" FRAME	ALUM	COLOR #1	GL-01	FIXED	NOT RATED	N4/A-722	J4/A-722	J16/A-712	BOB #3
C7	CURTAINWALL: 2-1/2' X 7-1/2" FRAME	ALUM	COLOR #1	GL-01	FIXED	NOT RATED	N4/A-722	E4/A-716 E8/A-716	A16/A-722	BOB #3
C8	CURTAINWALL: 2-1/2' X 7-1/2" FRAME	ALUM	COLOR #1	GL-01	FIXED	NOT RATED	N4/A-722	J8/A-716 J4/A-722	A4/A-722 A12/A-722	BOB #3
C9	CURTAINWALL: 2-1/2' X 7-1/2" FRAME	ALUM	COLOR #1	GL-01	FIXED	NOT RATED	N4/A-722	E4/A-722 J4/A-722	A4/A-722 SM	BOB #3
D1	INTERIOR WINDOW: 2" FRAME	HM	PTD. (#2)	GL-02	FIXED	NOT RATED	G4(B)/A-903	G4(A)/A-903	G4(A)/A-903	CENTER GLAZED H.M.
D2	FIRE-RESISTIVE INTERIOR WINDOW: 2-1/2" FRAME	FRA	ANOD. ALUM.	GL-07	FIXED	W-60 (60 MINS)	J16(B)/A-903	J16(A)/A-903	N12/A-903	BOB #4; CENTER GLAZED
D3	INTERIOR WINDOW: 2" FRAME	HM	PTD. (#2)	GL-04	FIXED	D-H-CH-45 (45 MINS)	G4(B)/A-903	G4(A)/A-903	L4(A)/A-903	CENTER GLAZED H.M.
D4	INTERIOR WINDOW: 2" FRAME	HM	PTD. (#2)	GL-04	FIXED	D-H-CH-45 (45 MINS)	G4(B)/A-903	G4(A)/A-903	L4(A)/A-903	CENTER GLAZED H.M.
L1	ALUMINUM LOUVER CHANNEL FRAME	ALUM	COLOR #1	-	FIXED	-	J20/A-722	E20/A-722	A20/A-722	6" DEEP W/ BIRD SCREEN AND 2" THICK INSULATED BLANKOFF PANEL
L2	ALUMINUM LOUVER CHANNEL FRAME	ALUM	TO MATCH MTL PANEL	-	FIXED	-	N20/A-722	N16/A-722	N16/A-722	6" DEEP W/ BIRD SCREEN AND 2" THICK INSULATED BLANKOFF PANEL



Clarke Catton Hintz
 Architecture
 100 Barrack Street, Trenton, NJ 08648
 Tel: (609) 838-8883, Fax: (609) 833-0444
 www.clarkecattonhintz.com
 Drawings Copyright ©2018 Clarke Catton Hintz, PC

OWNER: WILLIAM PATTERSON UNIVERSITY
 300 POMPTON RD.
 WARREN, NJ 07470
 (973) 729-2000

SITE / CIVIL / GEOTECHNICAL: LANGAN
 300 KIMBALL DRIVE
 FARMSPRING, NJ 07054
 (973) 560-4900

STRUCTURAL: HARRISON & HAMNETT
 40 KNOWLES STREET
 PENNINGTON, NJ 08634
 (609) 818-1808

MECHANICAL/ELECTRICAL/PLUMBING: FIRE PROTECTION PARTNER ENGINEERING AND SCIENCE, INC.
 611 INDUSTRIAL WAY WEST
 EASTONTOWN, NJ 07724
 (212) 388-1700

AV/IT & SECURITY: R.G. VANDERWEIL ENGINEERS, LLP
 101 GROVERS MILL ROAD
 QUAKERTOWN EXECUTIVE CENTER
 LAWRENCEVILLE, NJ 08648
 (609) 609.786.2727

SUBMISSIONS

NO.	DATE	DESCRIPTION
1	07/14/17	CONSTRUCTION DOCUMENTS
2	08/07/17	FINAL CONSTR. DOCUMENTS

REVISIONS

NO.	DATE	DESCRIPTION
1A	AS NOTED	CONSTR. DOC. REVISIONS
2A	AS NOTED	ADDENDUM 1
2B	08/24/17	ADDENDUM 2
2C	08/31/17	ADDENDUM 3
2D	09/08/17	ADDENDUM 6

ARCHITECT
 NO. LICENSE NO. 21A030020

 DATE: 08/07/2017

**WILLIAM PATTERSON UNIVERSITY
 NEW RESIDENCE HALL**
 WAYNE, NEW JERSEY

CONSTRUCTION DOCUMENTS
 (ISSUED FOR CONSTRUCTION)

DATE: 2017.08.07
 SCALE: AS NOTED
 DRAWN BY:
 CHECKED BY:

SHEET TITLE:
WINDOW SCHEDULE

DRAWING NO.:
A-910
 CCH PROJECT NO.: 1932