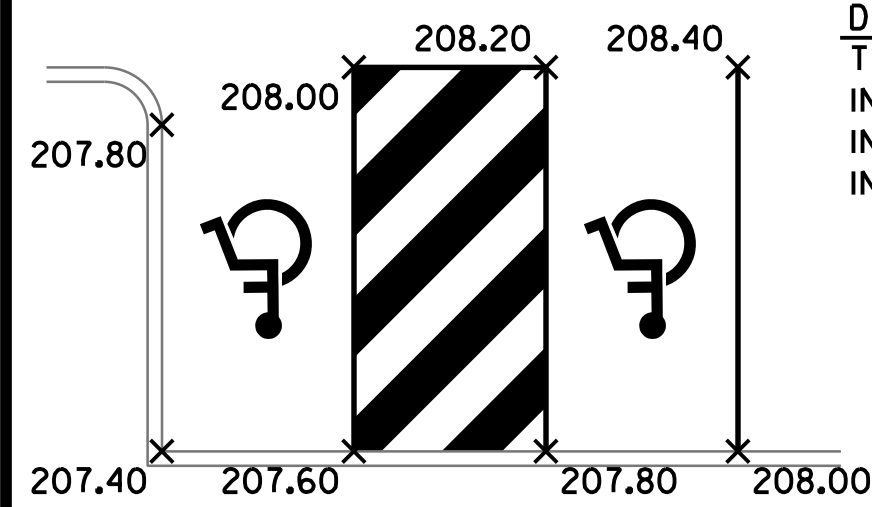
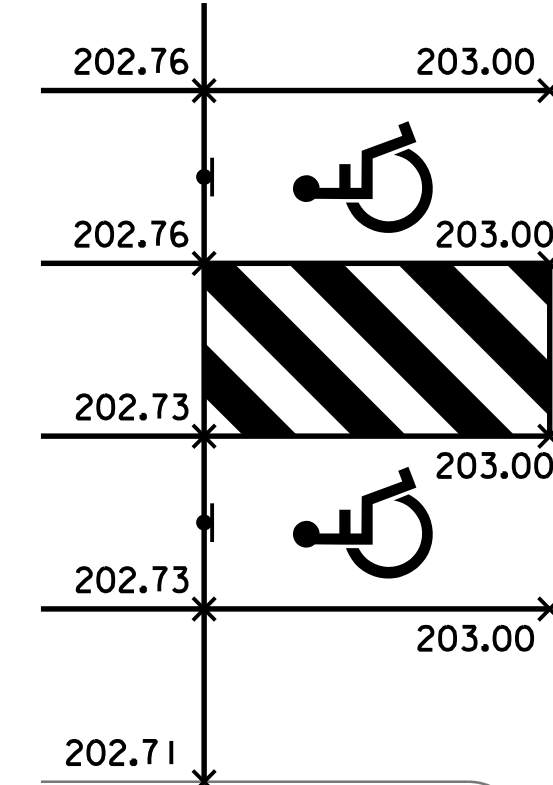


NOTES

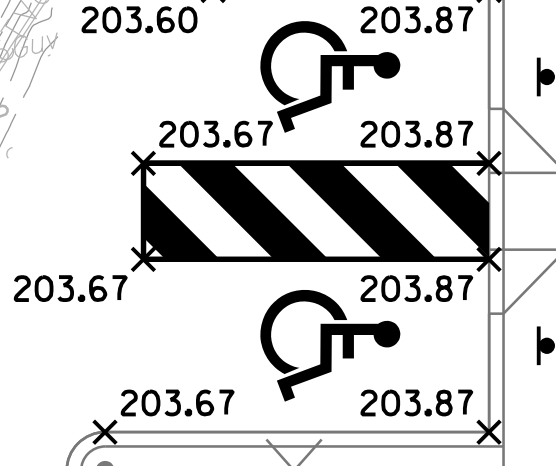
1. THE CONTRACTOR SHALL TIE-IN BUILDING CANOPY LEADERS TO UNDERGROUND BUILDING DRAIN PIPE.
2. SPOT ELEVATIONS REFER TO THE BOTTOM OF CURB ELEVATION.



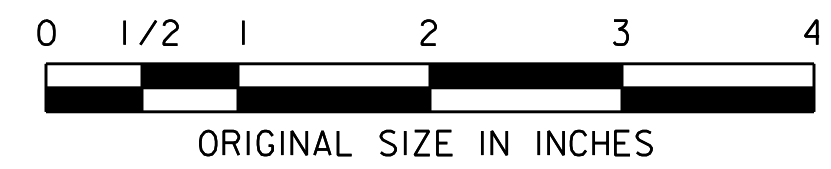
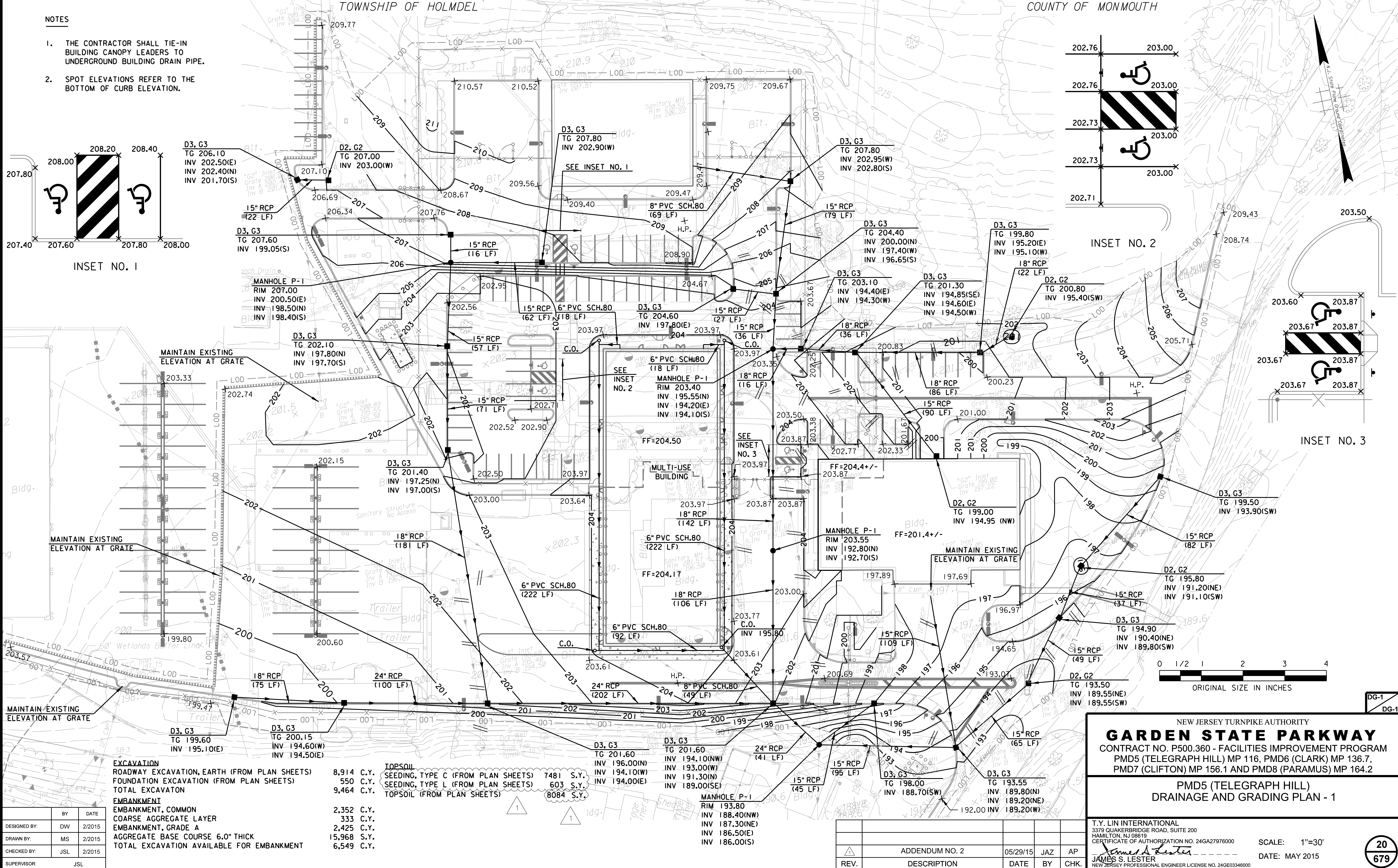
INSET NO. 1



INSET NO. 2



INSET NO. 3



<b>EXCAVATION</b>		
ROADWAY EXCAVATION, EARTH (FROM PLAN SHEETS)	8,914 C.Y.	
FOUNDATION EXCAVATION (FROM PLAN SHEETS)	550 C.Y.	
TOTAL EXCAVATION	9,464 C.Y.	
<b>EMBANKMENT</b>		
EMBANKMENT, COMMON	2,352 C.Y.	
COARSE AGGREGATE LAYER	333 C.Y.	
EMBANKMENT, GRADE A	2,425 C.Y.	
AGGREGATE BASE COURSE 6.0" THICK	15,968 S.Y.	
TOTAL EXCAVATION AVAILABLE FOR EMBANKMENT	6,549 C.Y.	

<b>TOPSOIL</b>		
SEEDING, TYPE C (FROM PLAN SHEETS)	7481 S.Y.	
SEEDING, TYPE L (FROM PLAN SHEETS)	603 S.Y.	
TOTAL TOPSOIL (FROM PLAN SHEETS)	8084 S.Y.	

DESIGNED BY:	DW	2/2015
DRAWN BY:	MS	2/2015
CHECKED BY:	JSL	2/2015
SUPERVISOR:	JSL	

D3, G3	TG 201.60	INV 196.00(N)
D3, G3	TG 201.60	INV 193.00(W)
D3, G3	TG 201.60	INV 194.00(E)
D3, G3	TG 201.60	INV 191.30(N)
D3, G3	TG 201.60	INV 189.00(SE)

MANHOLE P-1	RIM 193.80
	INV 188.40(NW)
	INV 187.30(NE)
	INV 186.50(E)
	INV 186.00(S)

REV.	DESCRIPTION	DATE	BY	CHK.
ADDENDUM NO. 2		05/29/15	JAZ	AP

NEW JERSEY TURNPIKE AUTHORITY  
**GARDEN STATE PARKWAY**  
 CONTRACT NO. P500.360 - FACILITIES IMPROVEMENT PROGRAM  
 PMD5 (TELEGRAPH HILL) MP 116, PMD6 (CLARK) MP 136.7,  
 PMD7 (CLIFTON) MP 156.1 AND PMD8 (PARAMUS) MP 164.2  
**PMD5 (TELEGRAPH HILL)**  
**DRAINAGE AND GRADING PLAN - 1**

T.Y. LIN INTERNATIONAL  
 3379 QUAKERBRIDGE ROAD, SUITE 200  
 HAMILTON, NJ 08619  
 CERTIFICATE OF AUTHORIZATION NO. 24GA27976000  
 SCALE: 1"=30'  
 DATE: MAY 2015

JAMES S. LESTER  
 NEW JERSEY PROFESSIONAL ENGINEER LICENSE NO. 24GE0346000

FILE NAME: P500\_360\_FD\_0020.sht