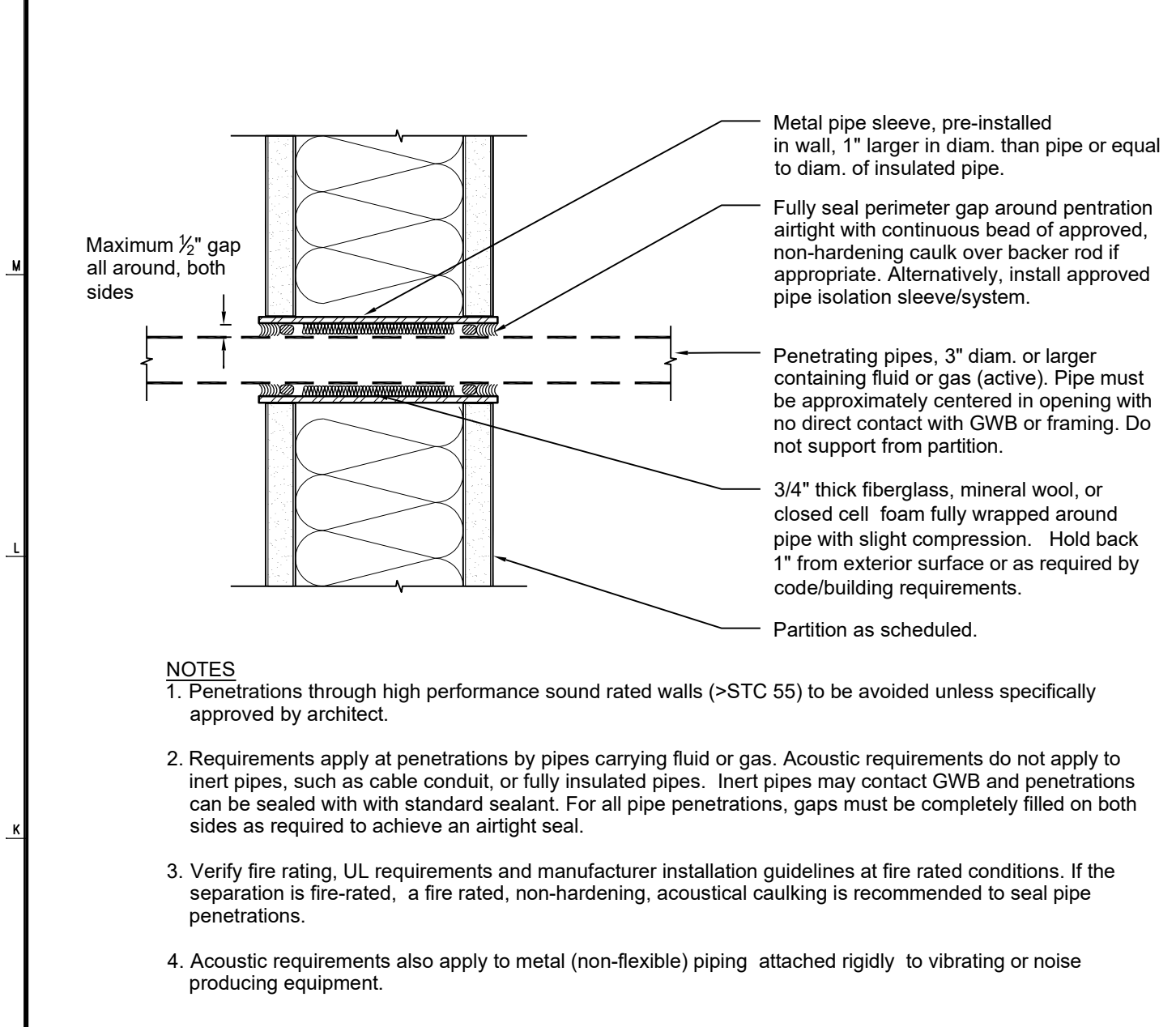
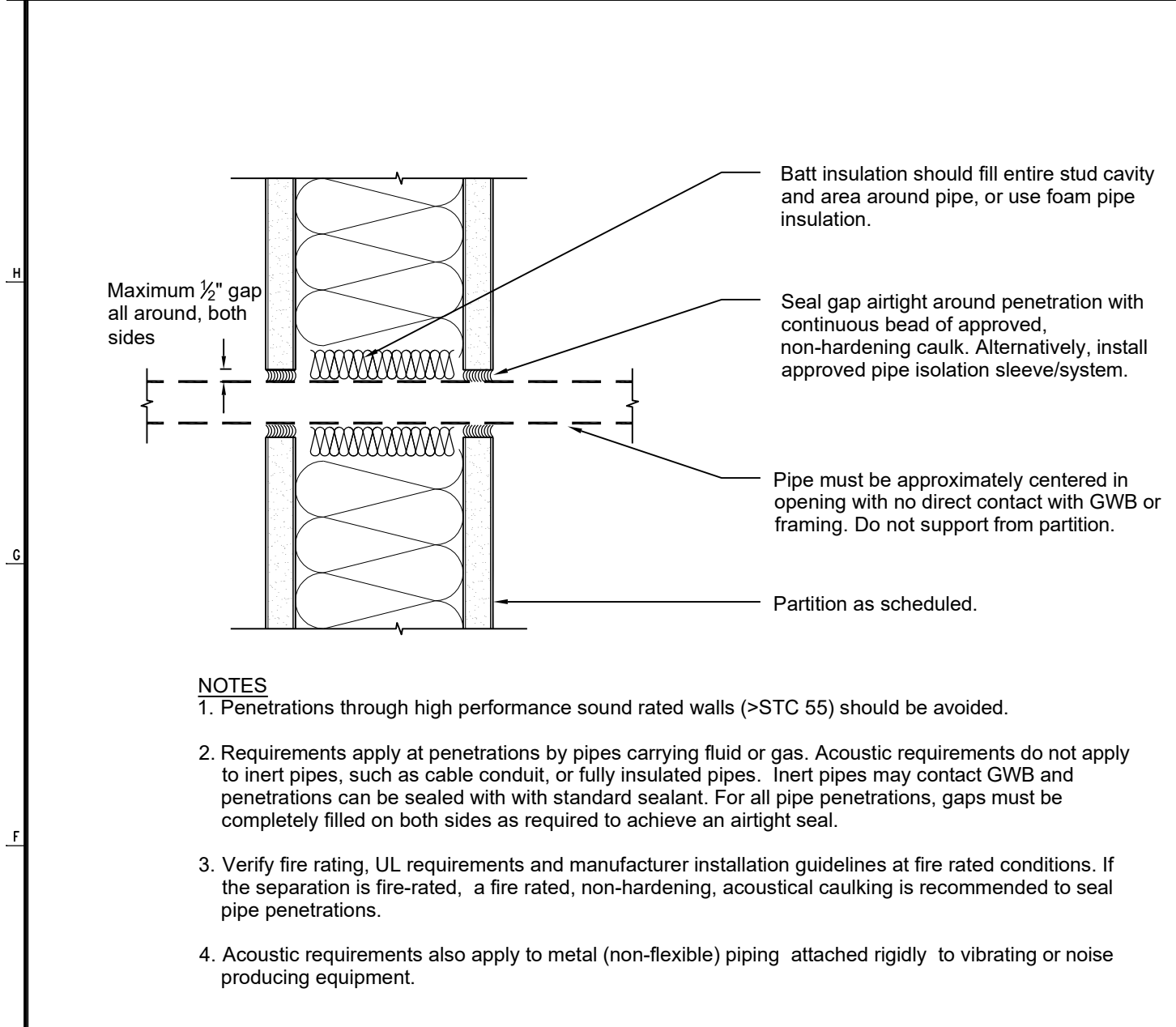


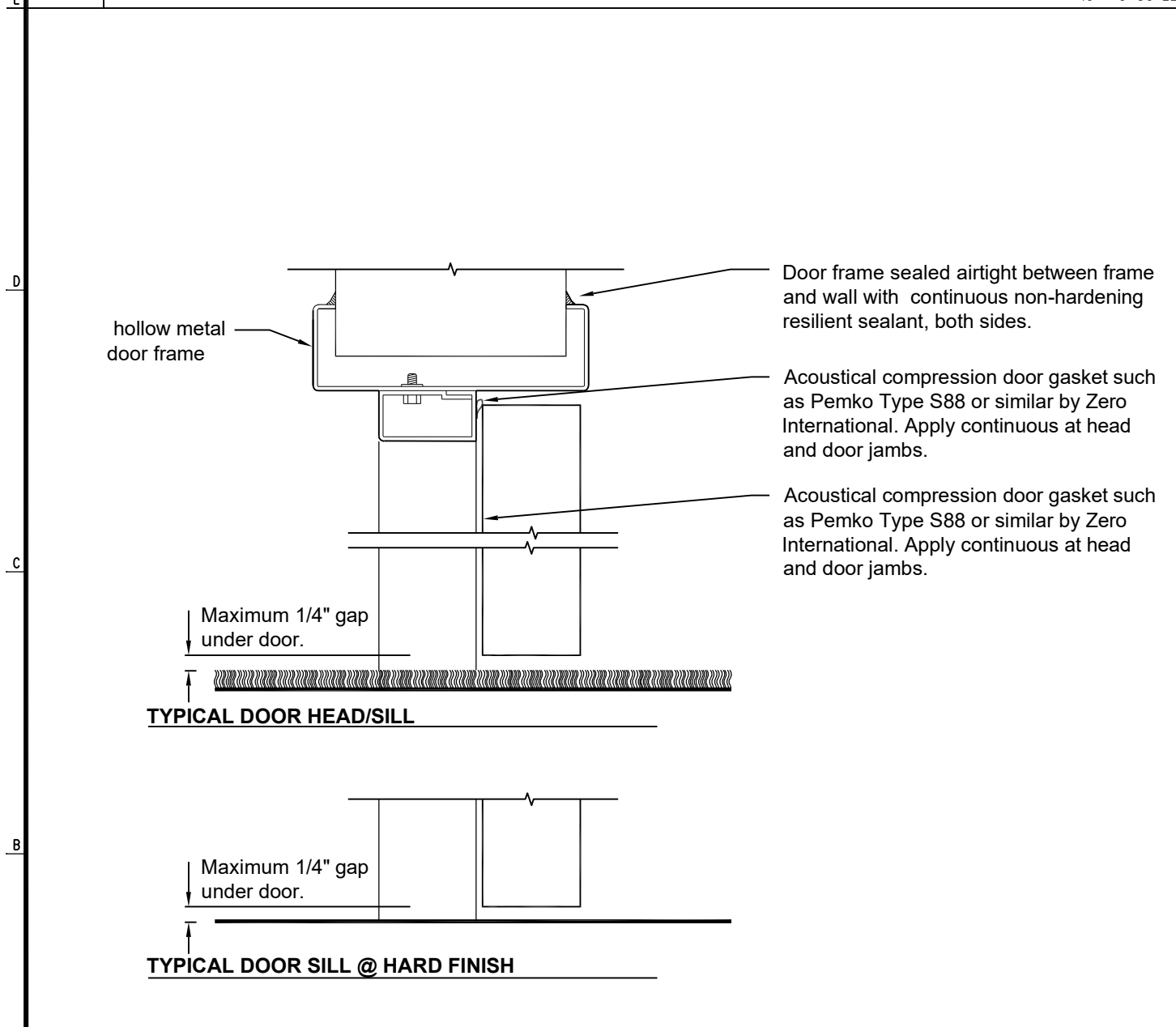
**N20 TYP. ACOUSTICAL DTL: DUCT PENETRATION** NOT TO SCALE



**J20 TYP. ACOUSTICAL DTL: PENETRATION BY ACTIVE PIPE OVER 3\"/>**



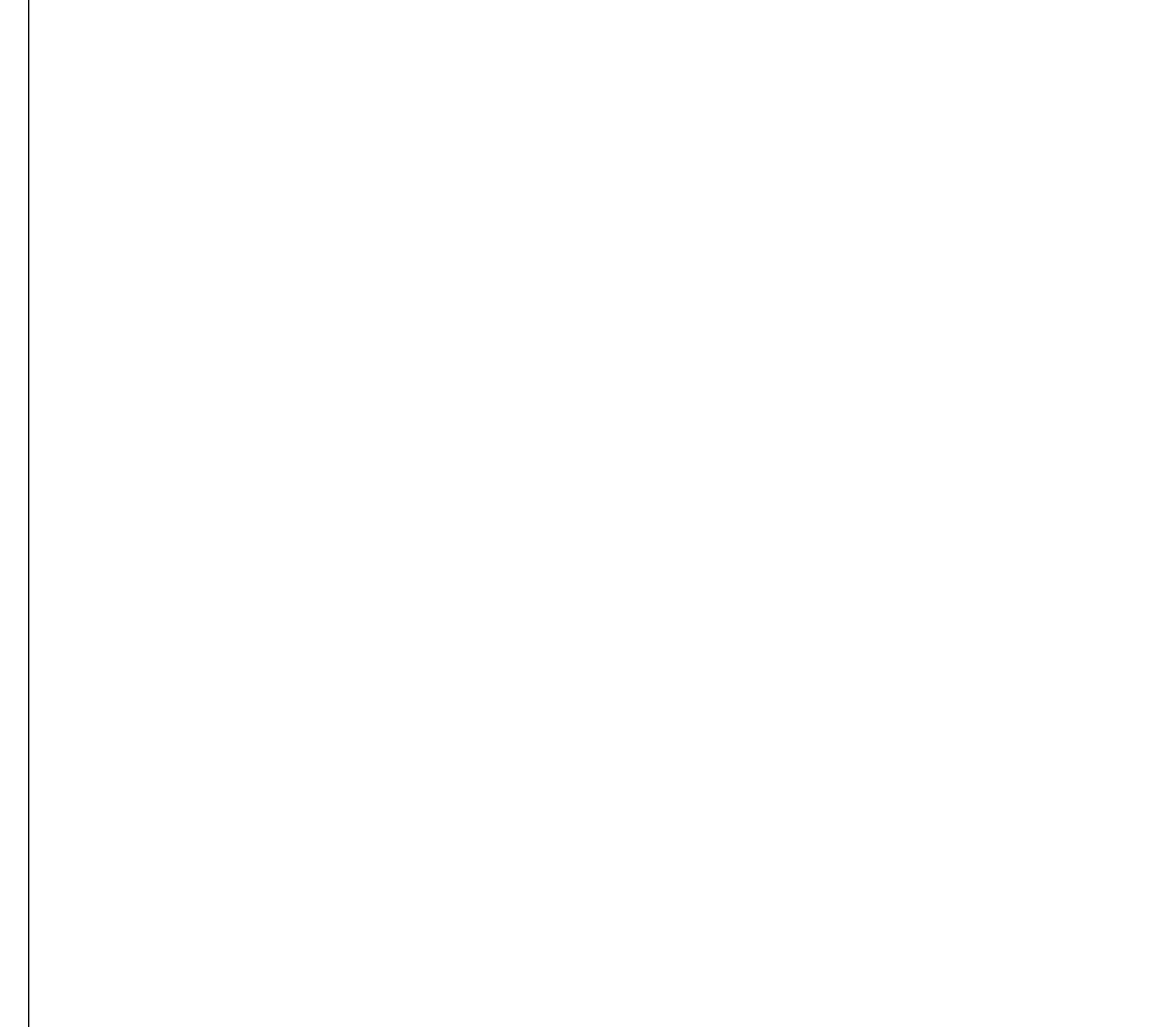
**E20 TYP. ACOUSTICAL DTL: PENETRATION BY ACTIVE PIPE UNDER 3\"/>**



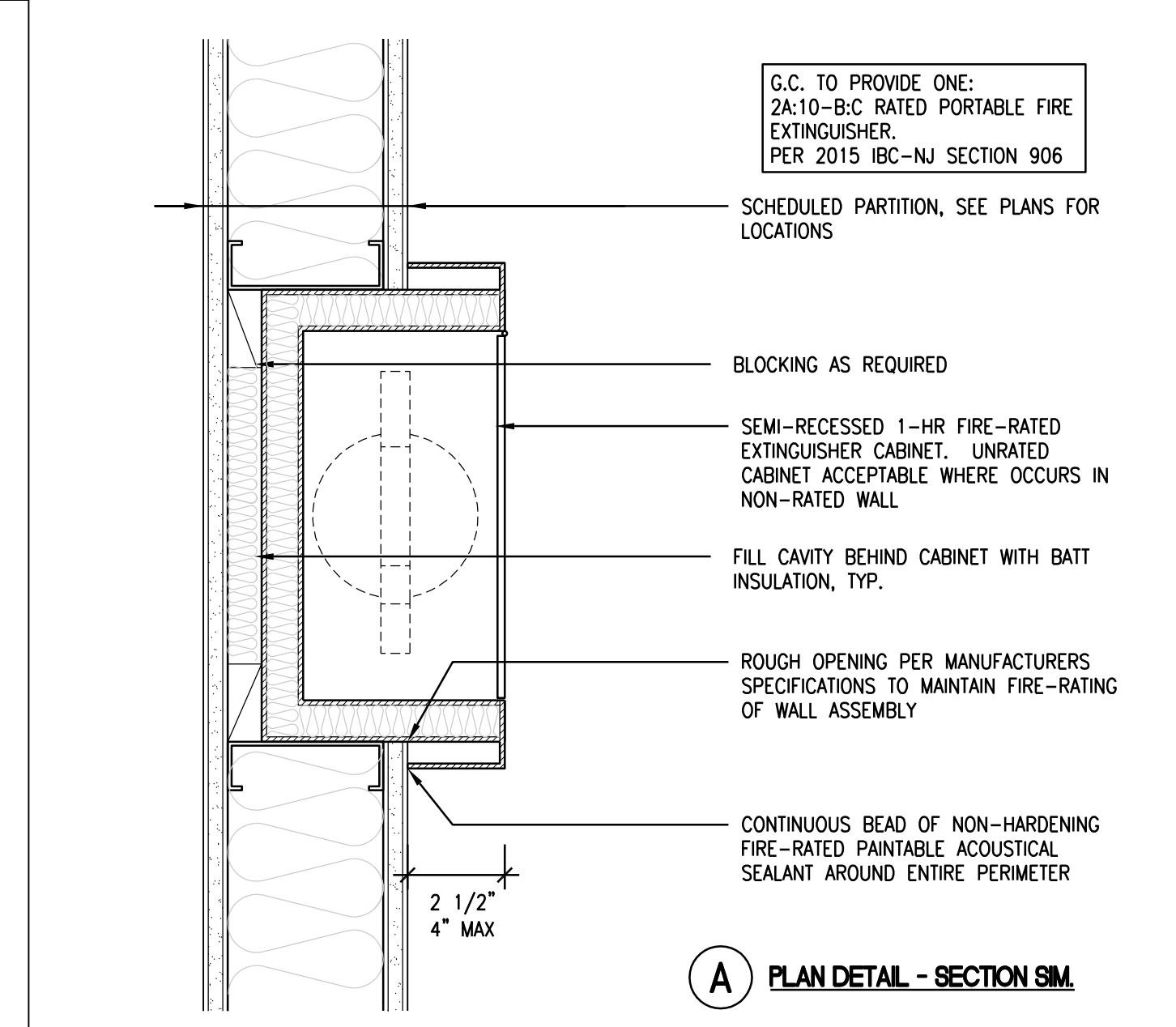
**A20 TYP ACOUSTICAL DTL: DOOR TREATMENT** NOT TO SCALE



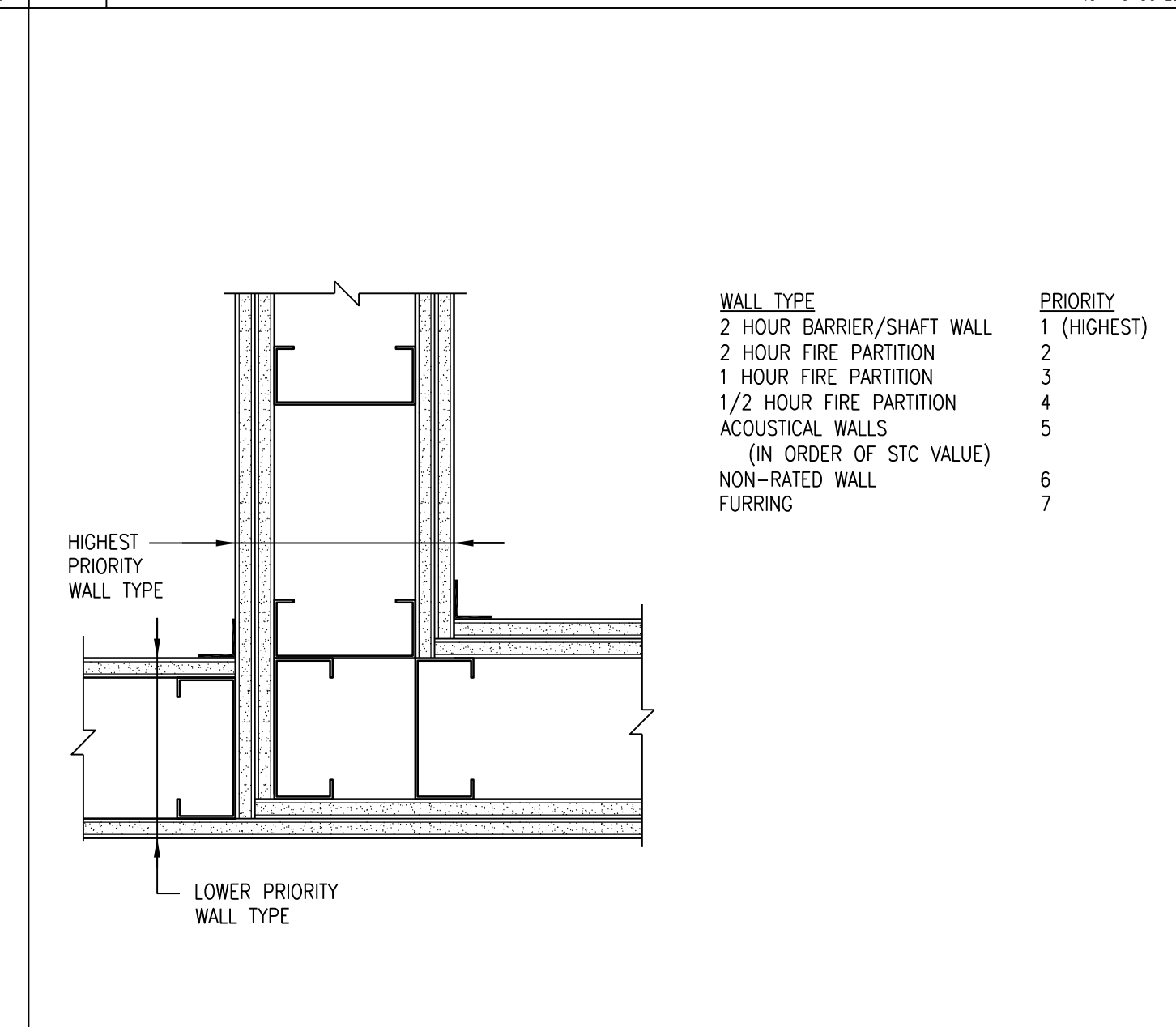
**N22 TYP. ACOUSTICAL DTL: PENETRATION BY ACTIVE PIPE OVER 3\"/>**



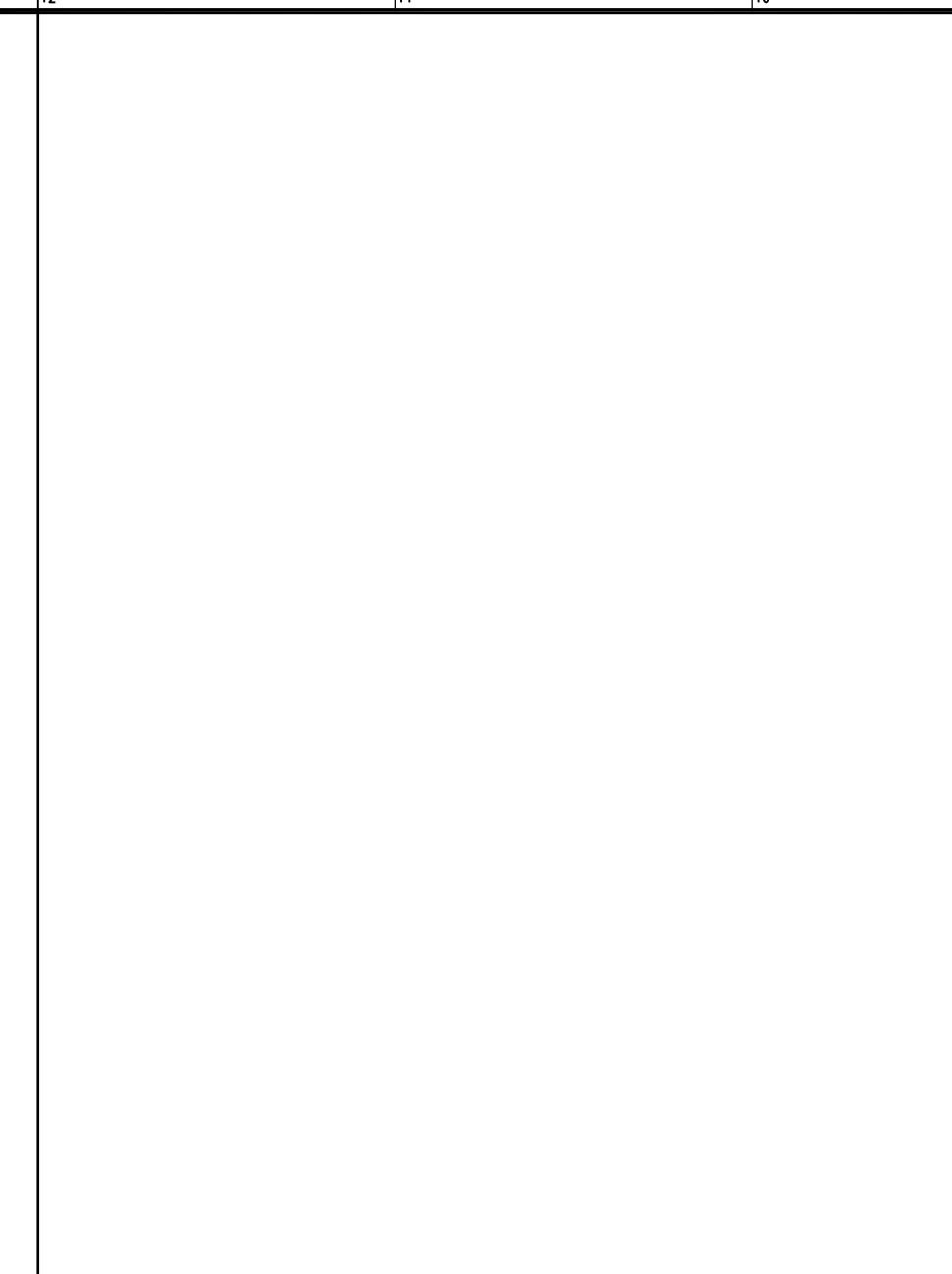
**J22 TYP. ACOUSTICAL DTL: PENETRATION BY ACTIVE PIPE OVER 3\"/>**



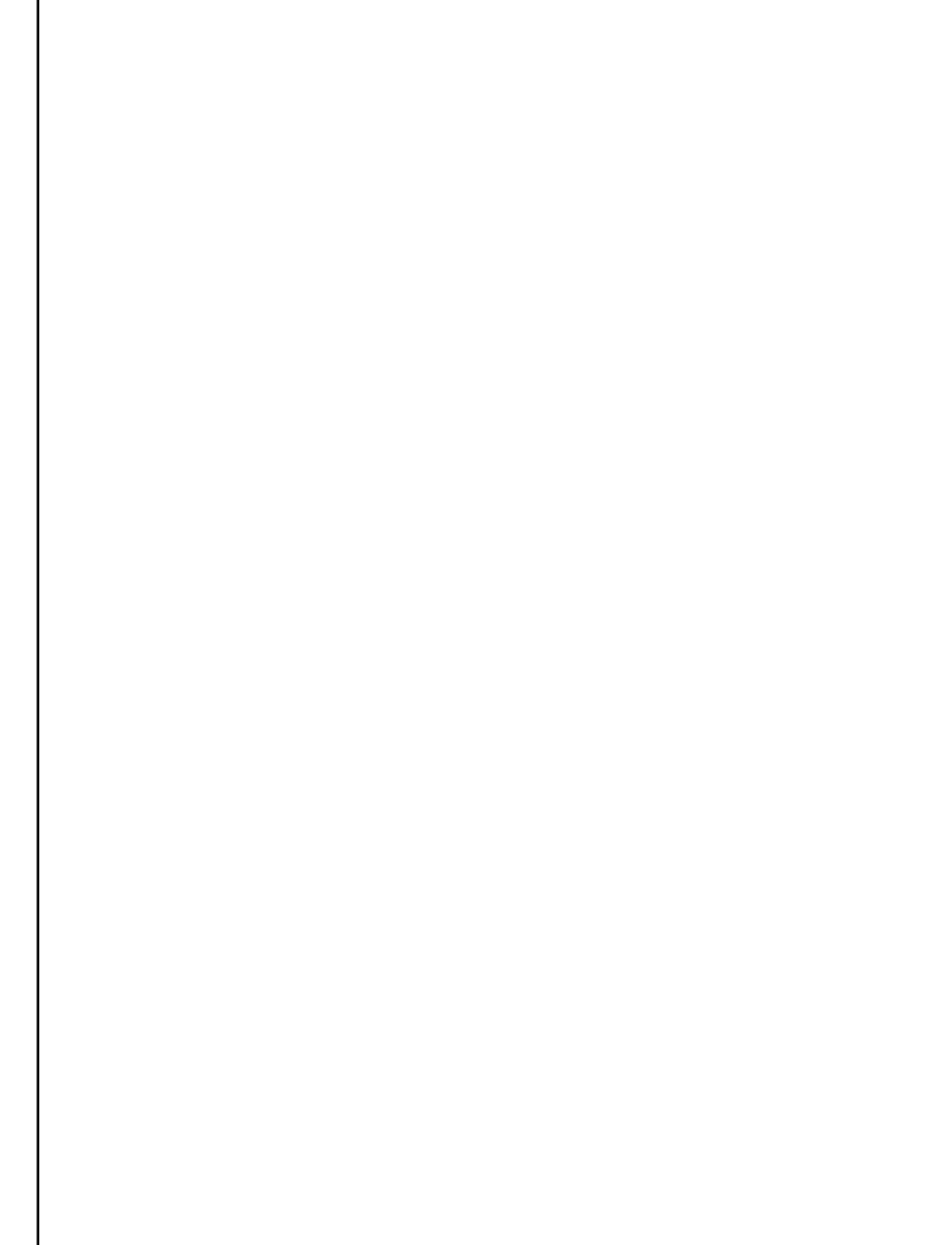
**E22 TYP. ACOUSTICAL DTL: PENETRATION BY ACTIVE PIPE UNDER 3\"/>**



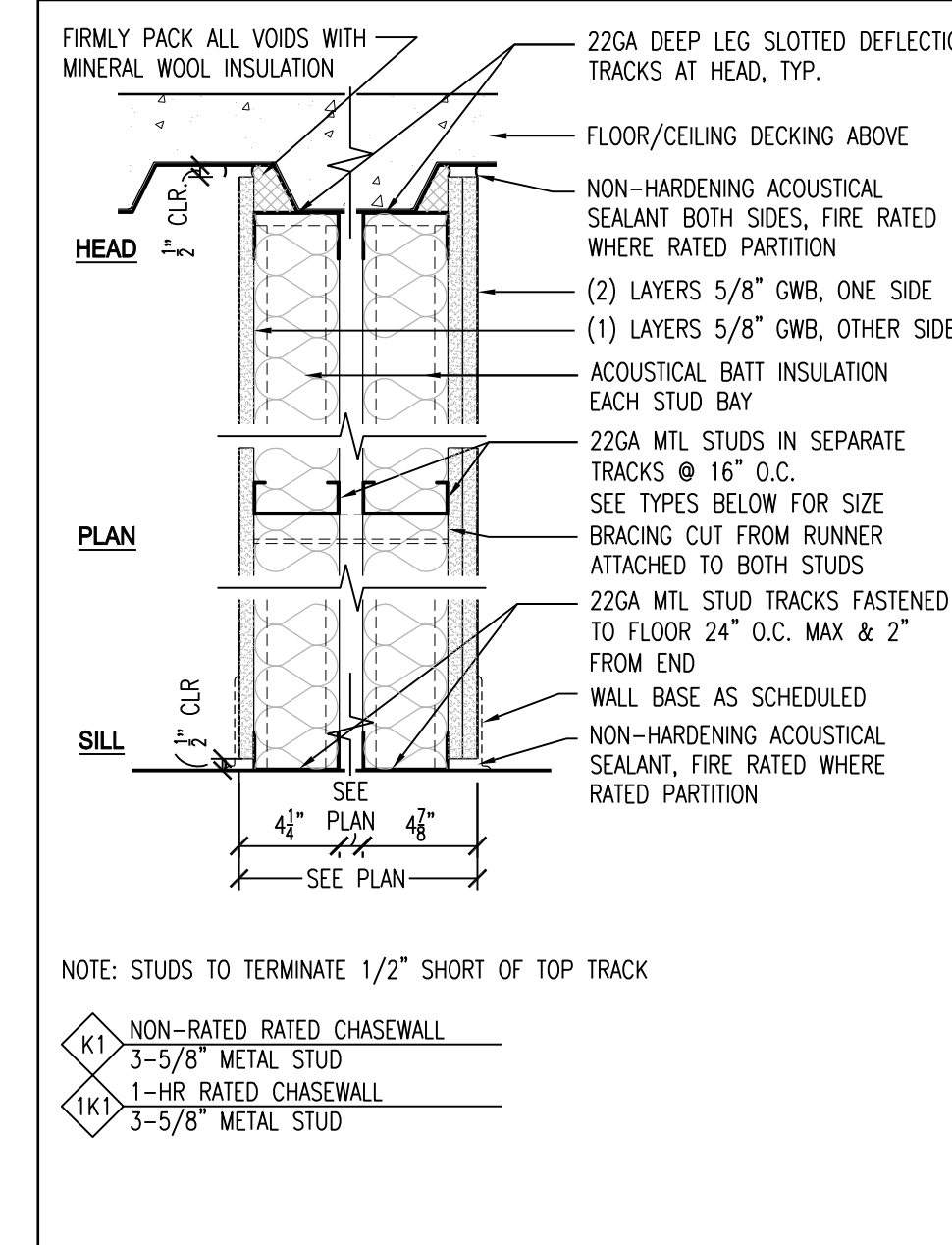
**A20 TYP ACOUSTICAL DTL: DOOR TREATMENT** NOT TO SCALE



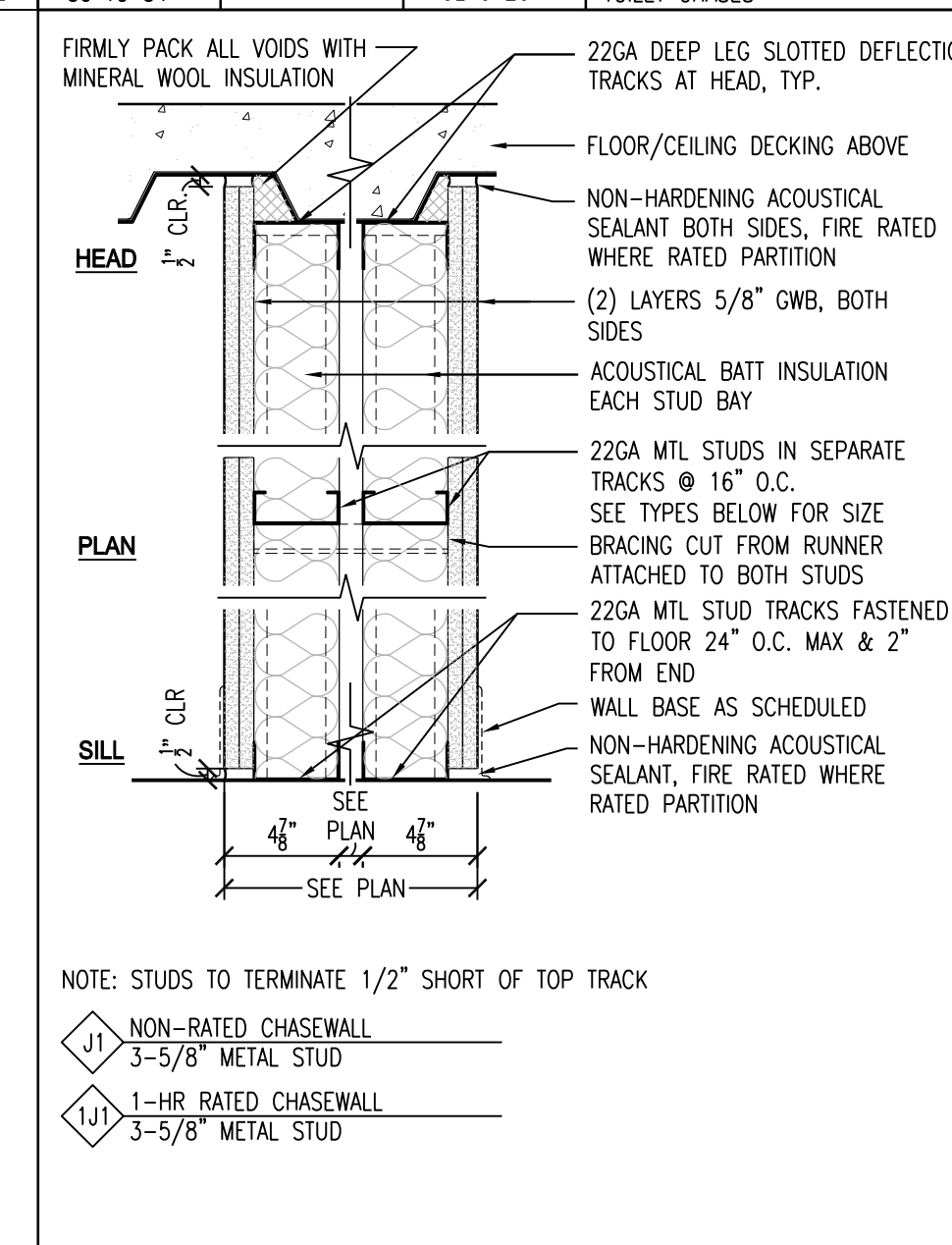
**N24 TYP. ACOUSTICAL DTL: PENETRATION BY ACTIVE PIPE OVER 3\"/>**



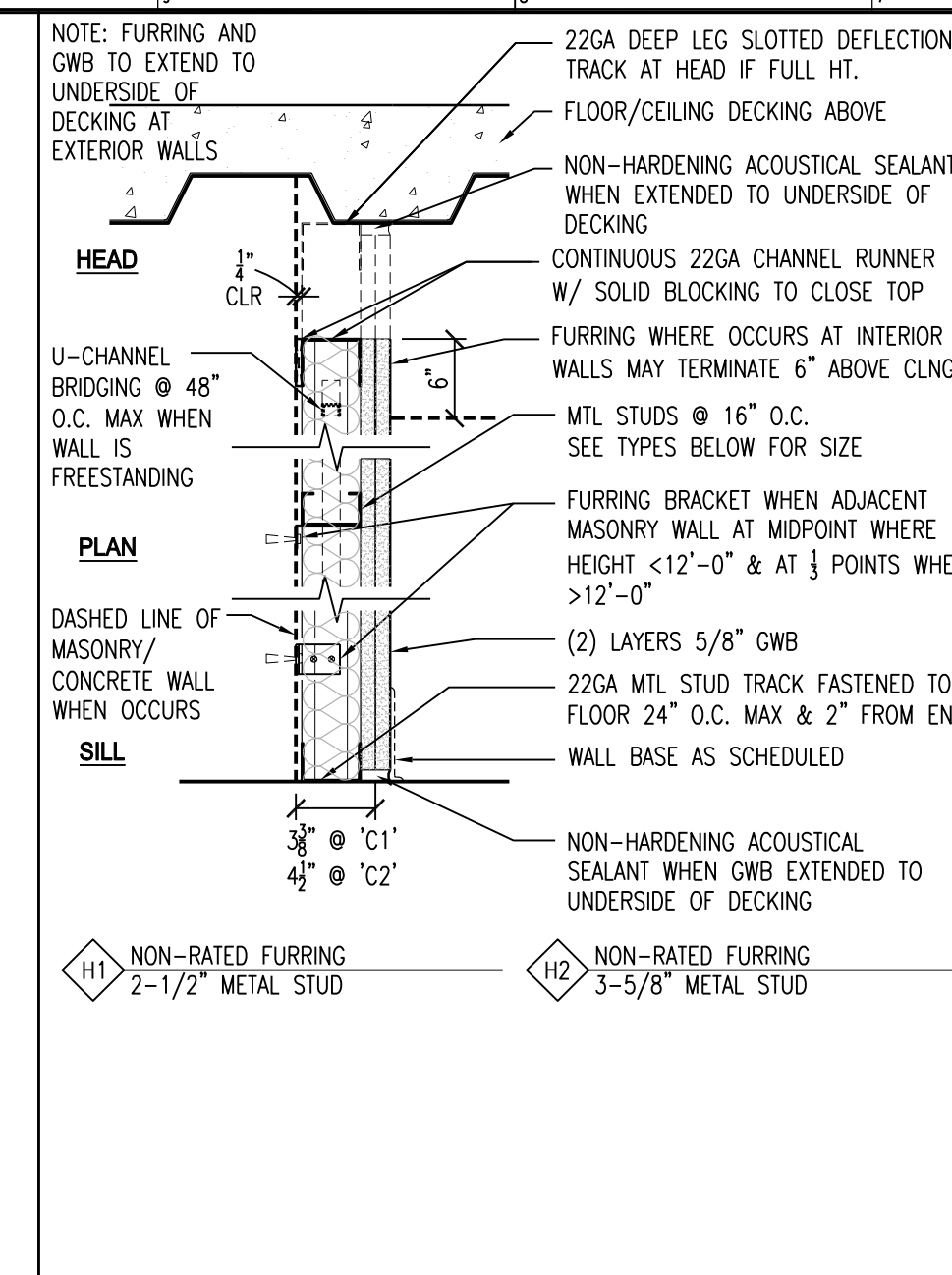
**J24 TYP. ACOUSTICAL DTL: PENETRATION BY ACTIVE PIPE OVER 3\"/>**



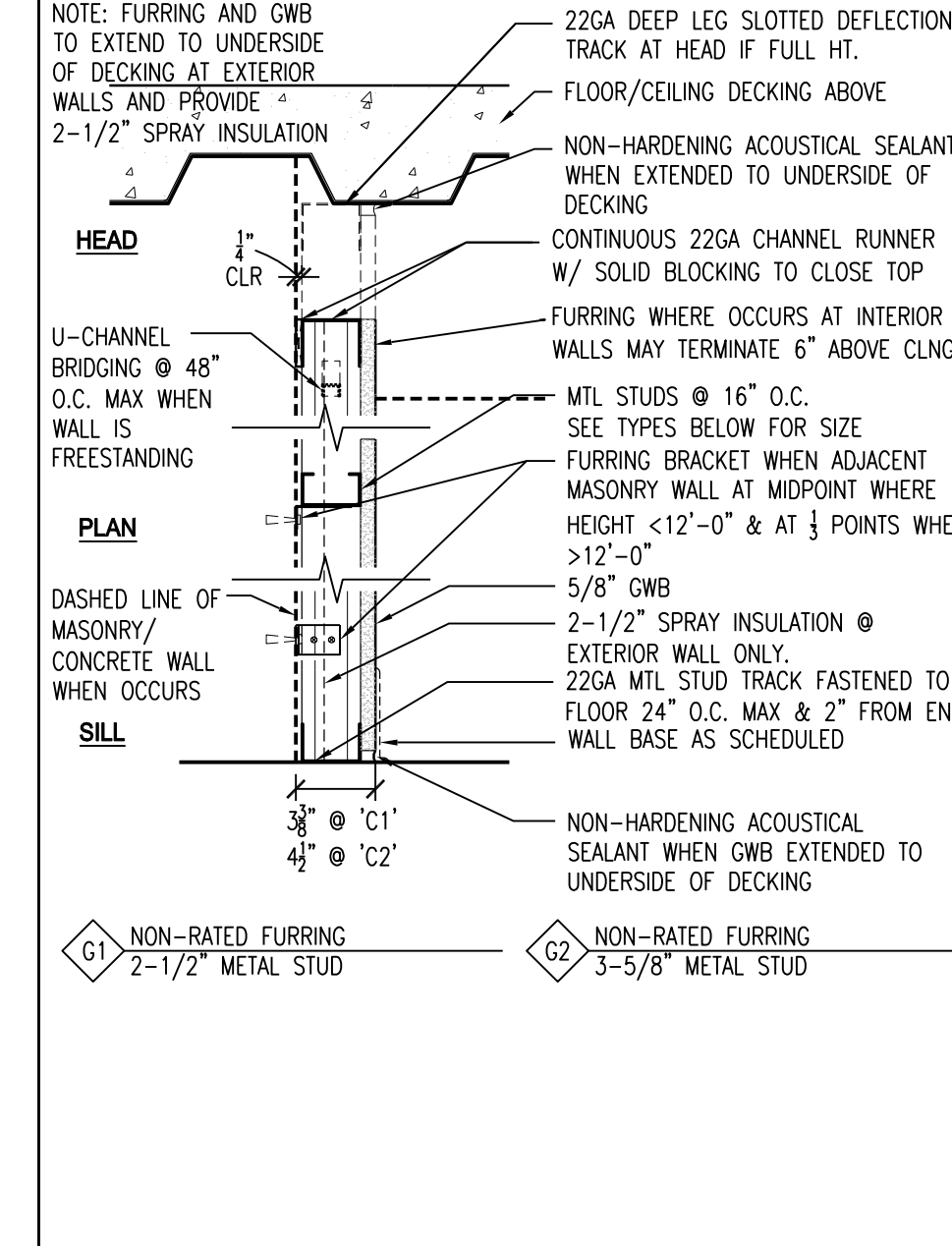
**E24 TYP. ACOUSTICAL DTL: PENETRATION BY ACTIVE PIPE UNDER 3\"/>**



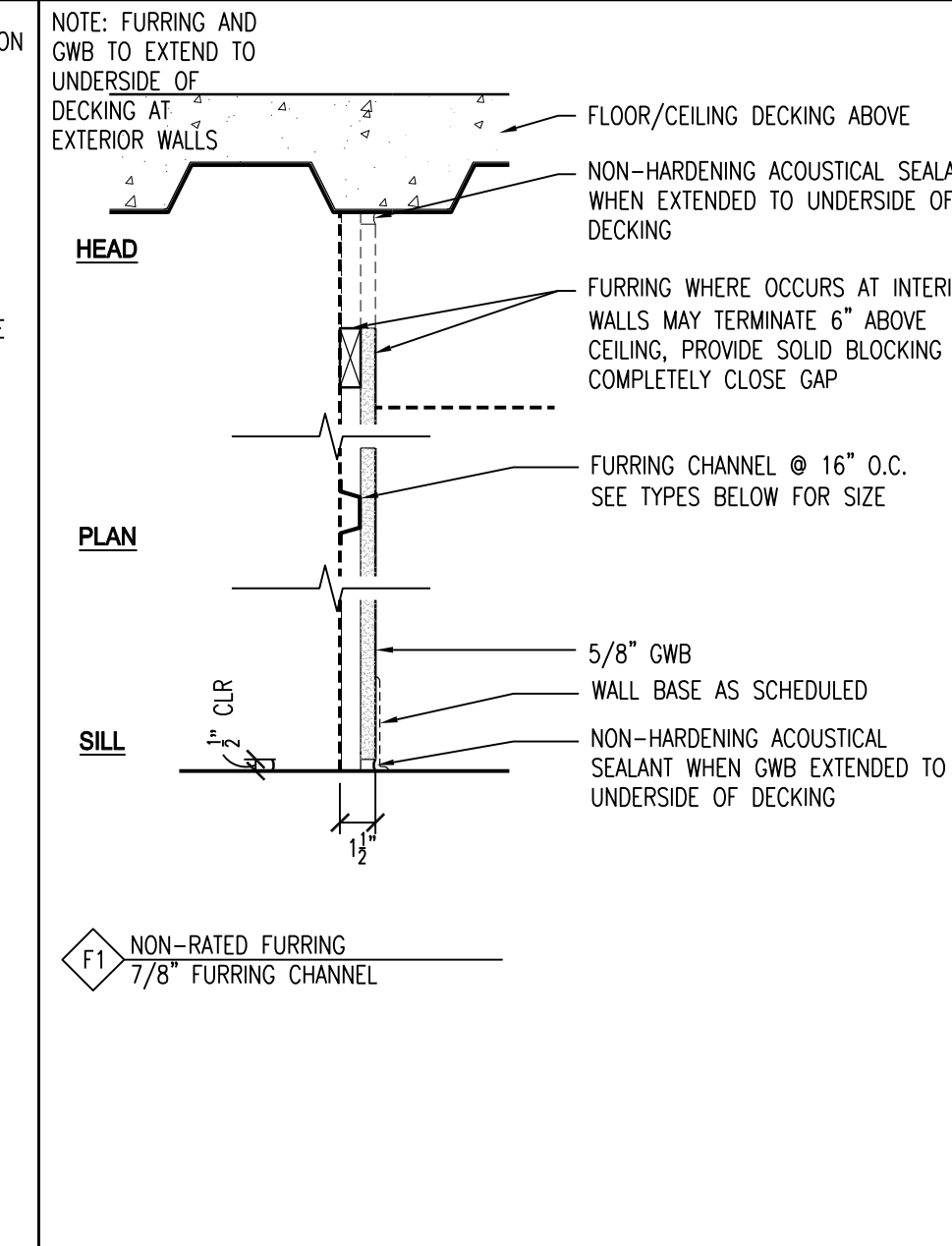
**A20 TYP ACOUSTICAL DTL: DOOR TREATMENT** NOT TO SCALE



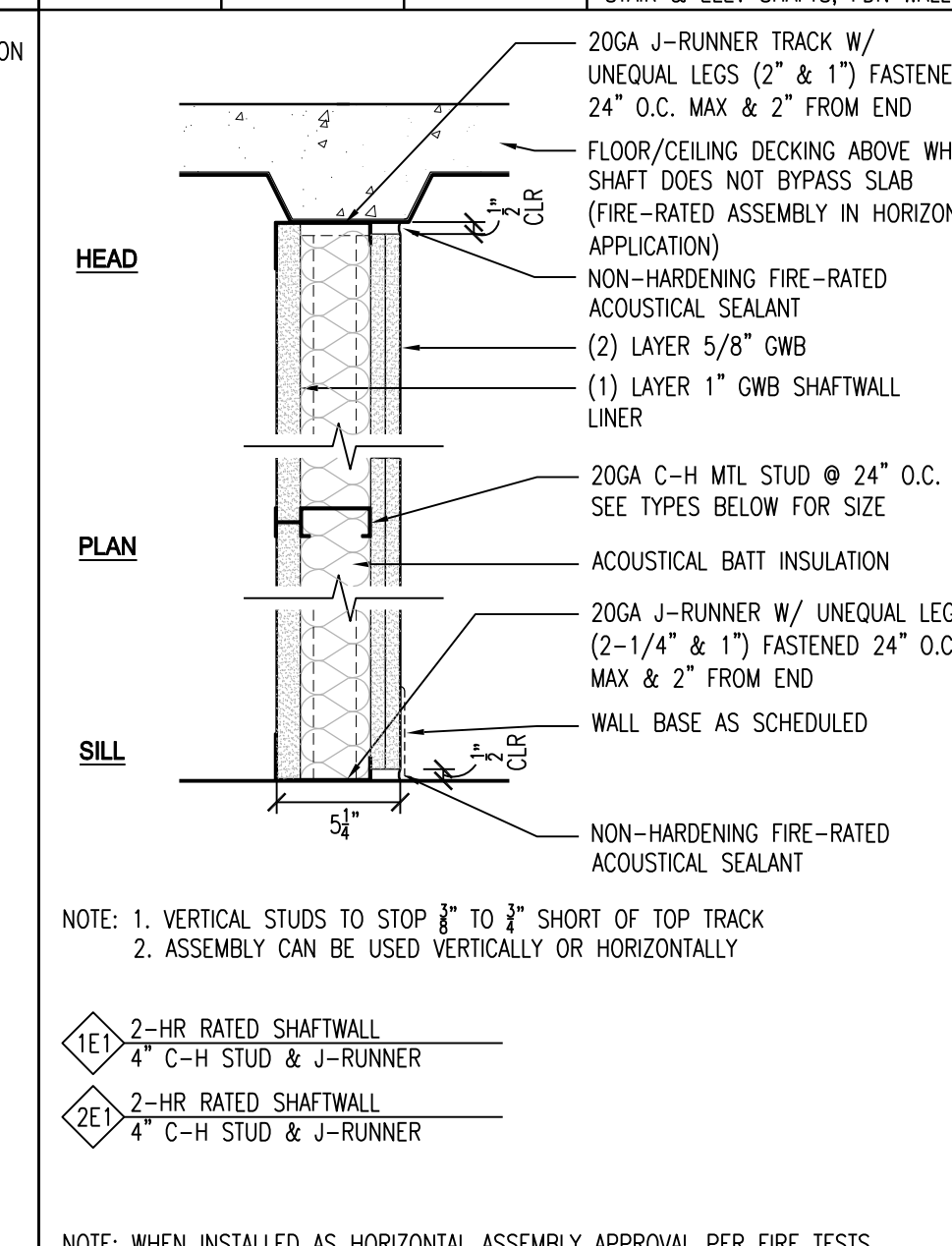
**N26 TYP. ACOUSTICAL DTL: PENETRATION BY ACTIVE PIPE OVER 3\"/>**



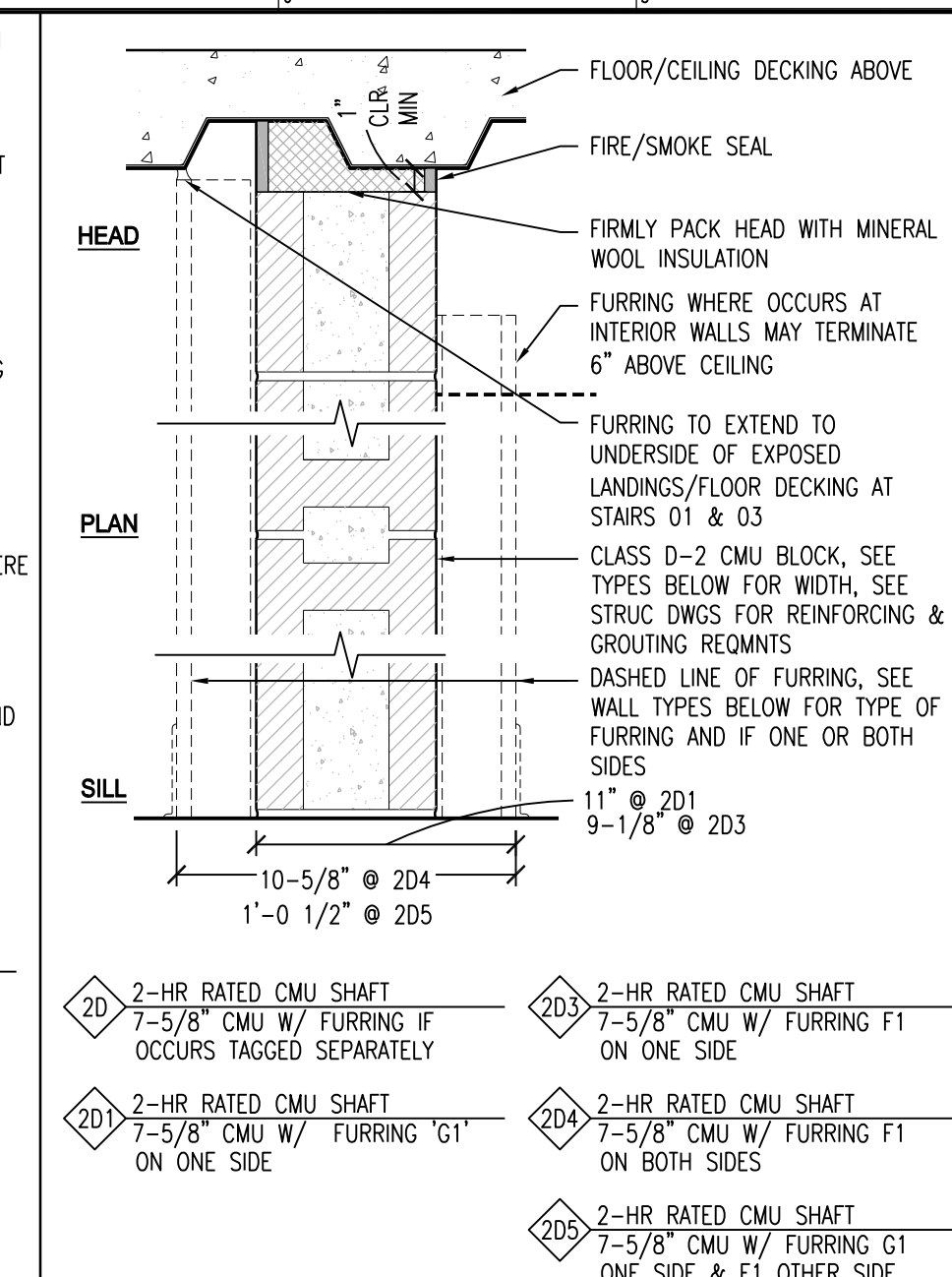
**J26 TYP. ACOUSTICAL DTL: PENETRATION BY ACTIVE PIPE OVER 3\"/>**



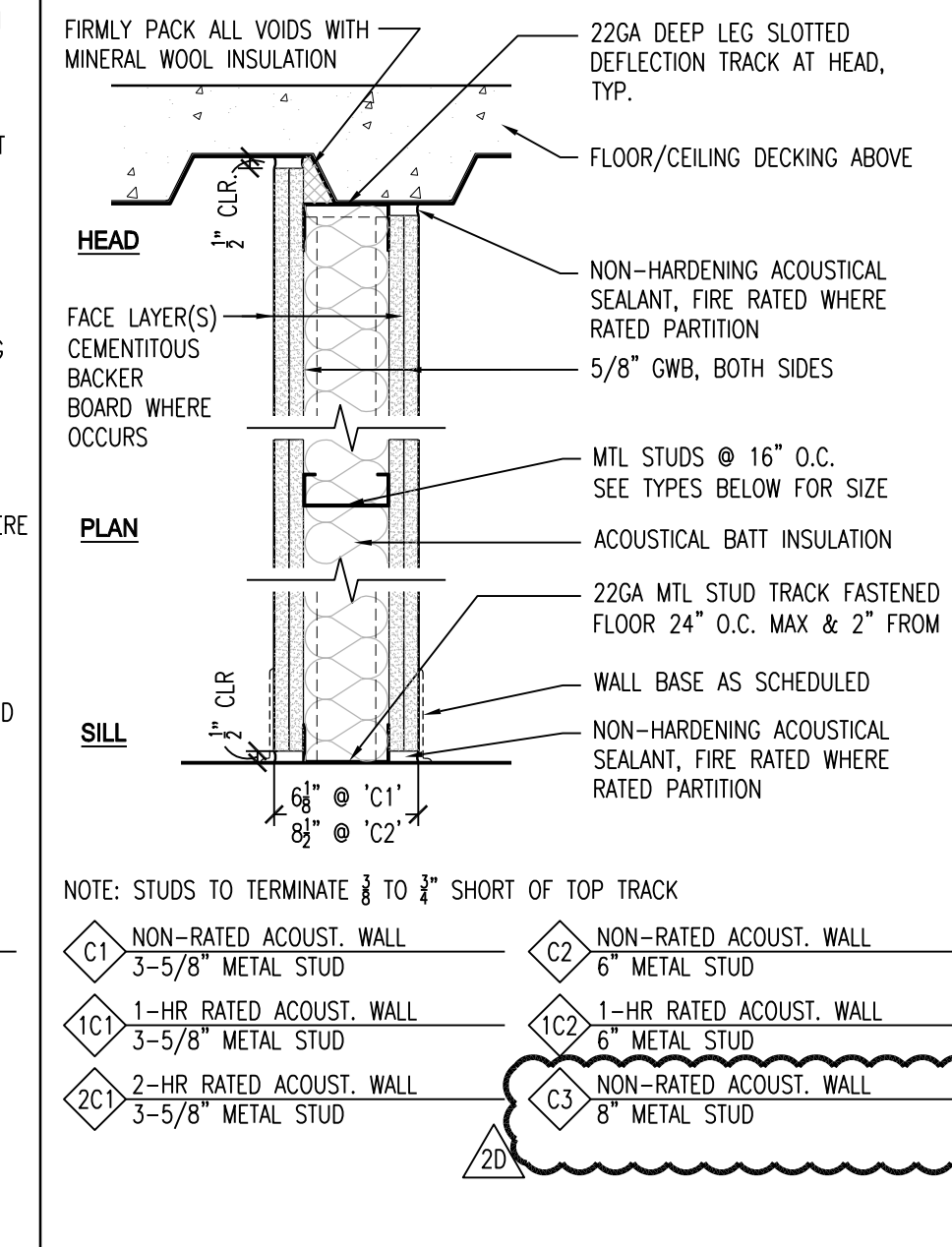
**E26 TYP. ACOUSTICAL DTL: PENETRATION BY ACTIVE PIPE UNDER 3\"/>**



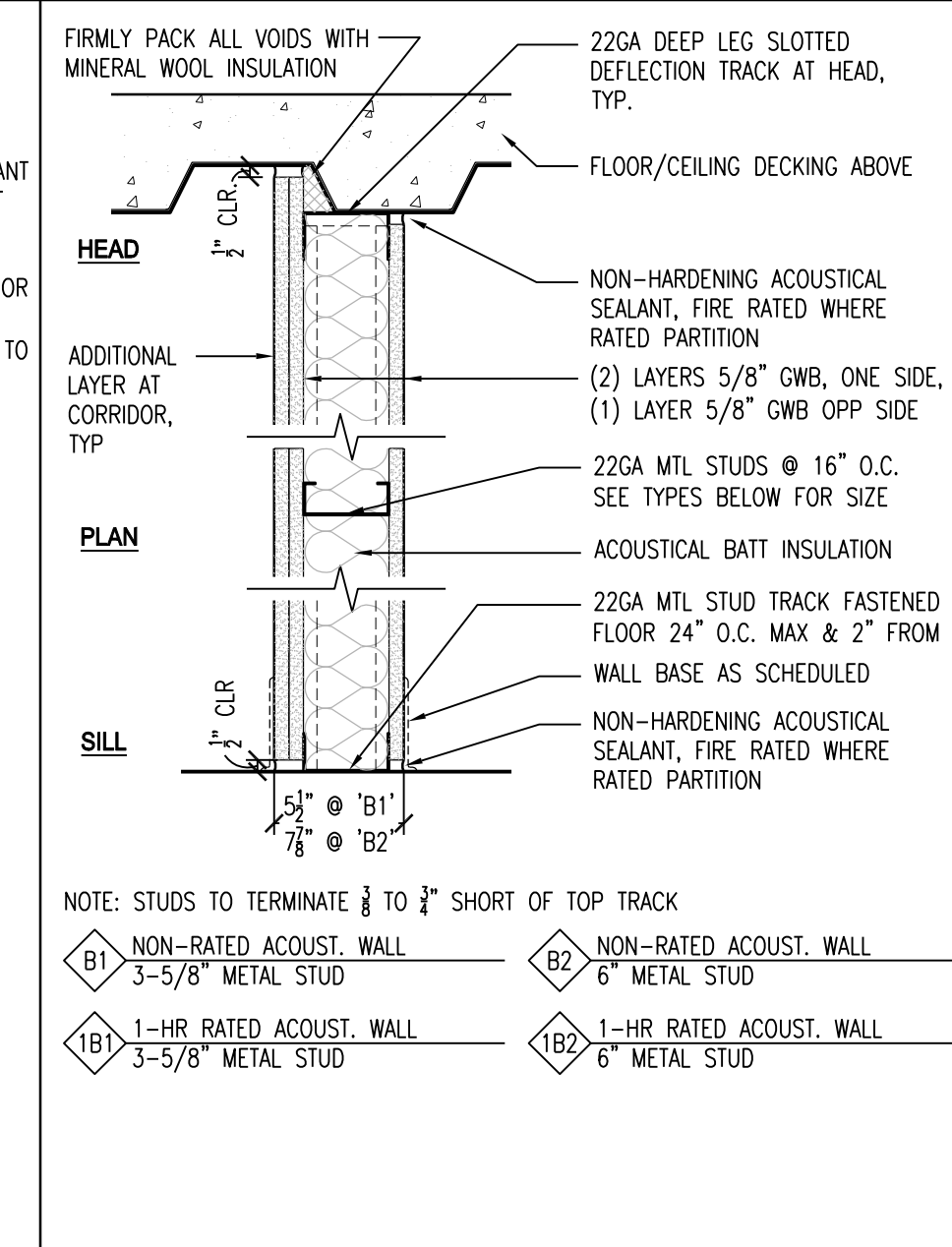
**A20 TYP ACOUSTICAL DTL: DOOR TREATMENT** NOT TO SCALE



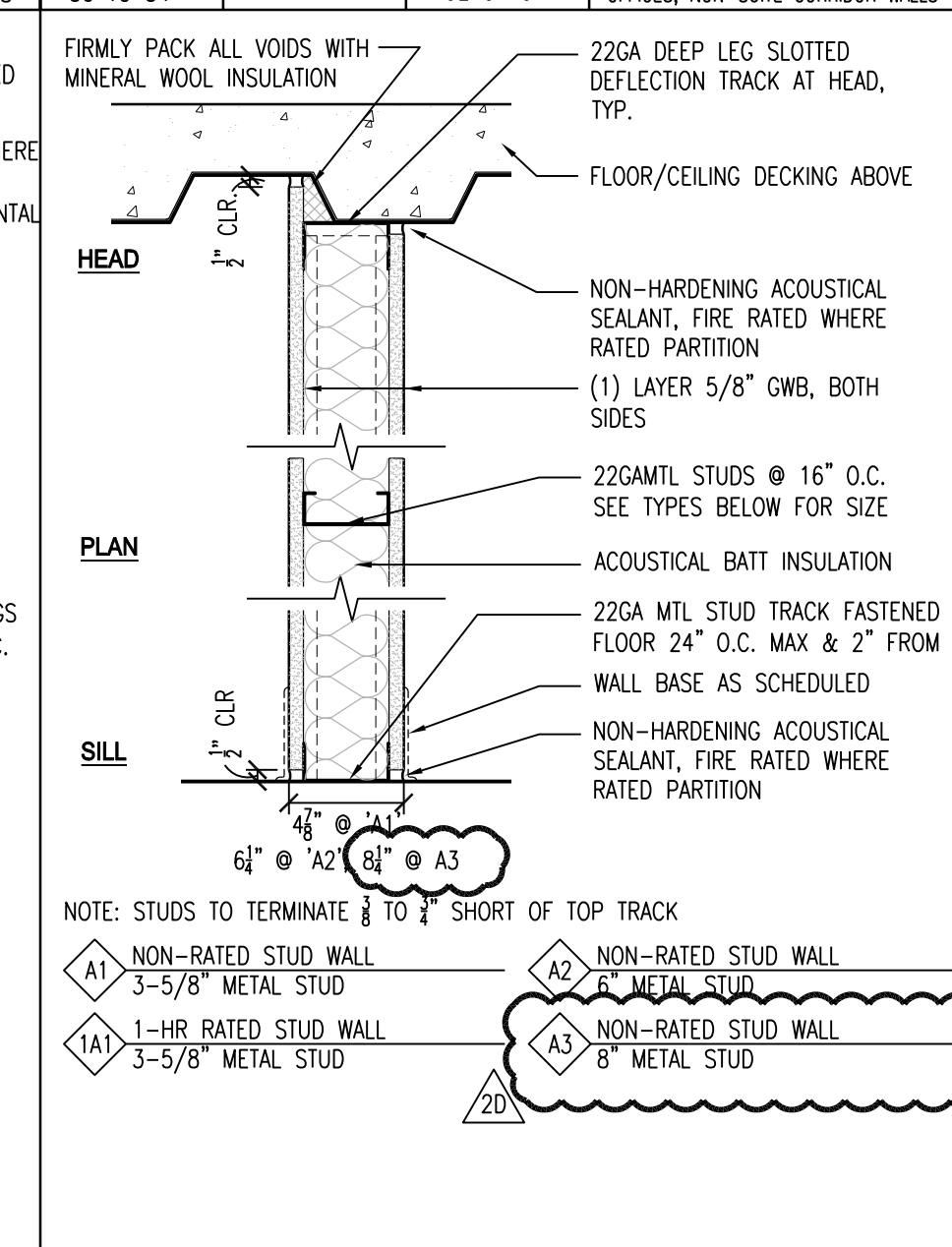
**N28 TYP. ACOUSTICAL DTL: PENETRATION BY ACTIVE PIPE OVER 3\"/>**



**J28 TYP. ACOUSTICAL DTL: PENETRATION BY ACTIVE PIPE OVER 3\"/>**



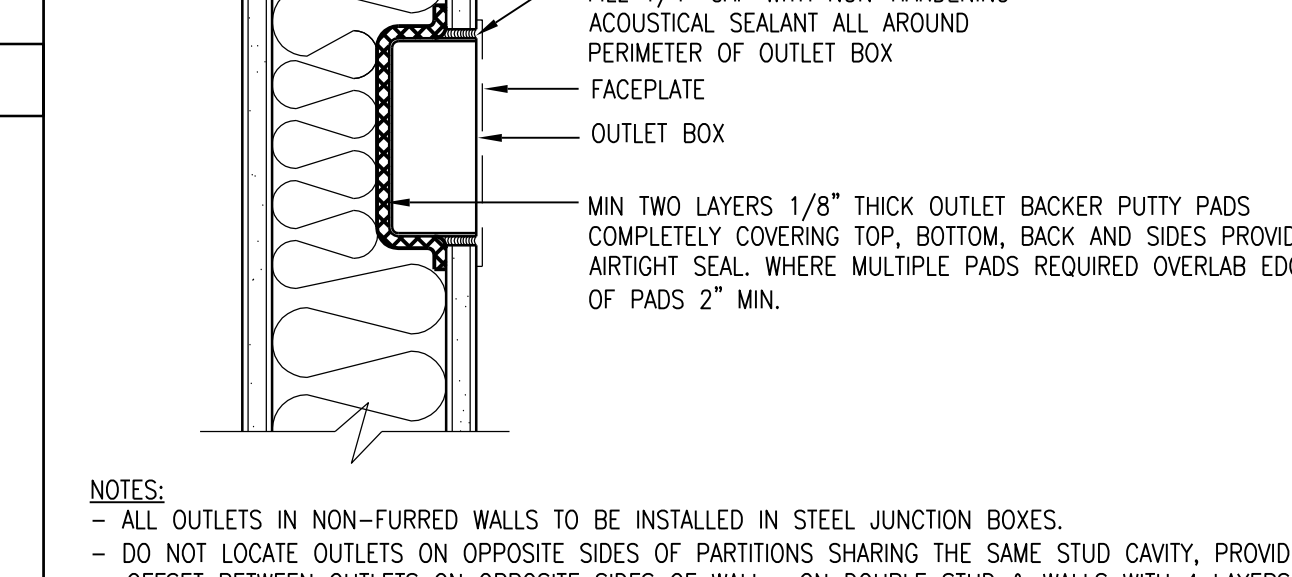
**E28 TYP. ACOUSTICAL DTL: PENETRATION BY ACTIVE PIPE UNDER 3\"/>**



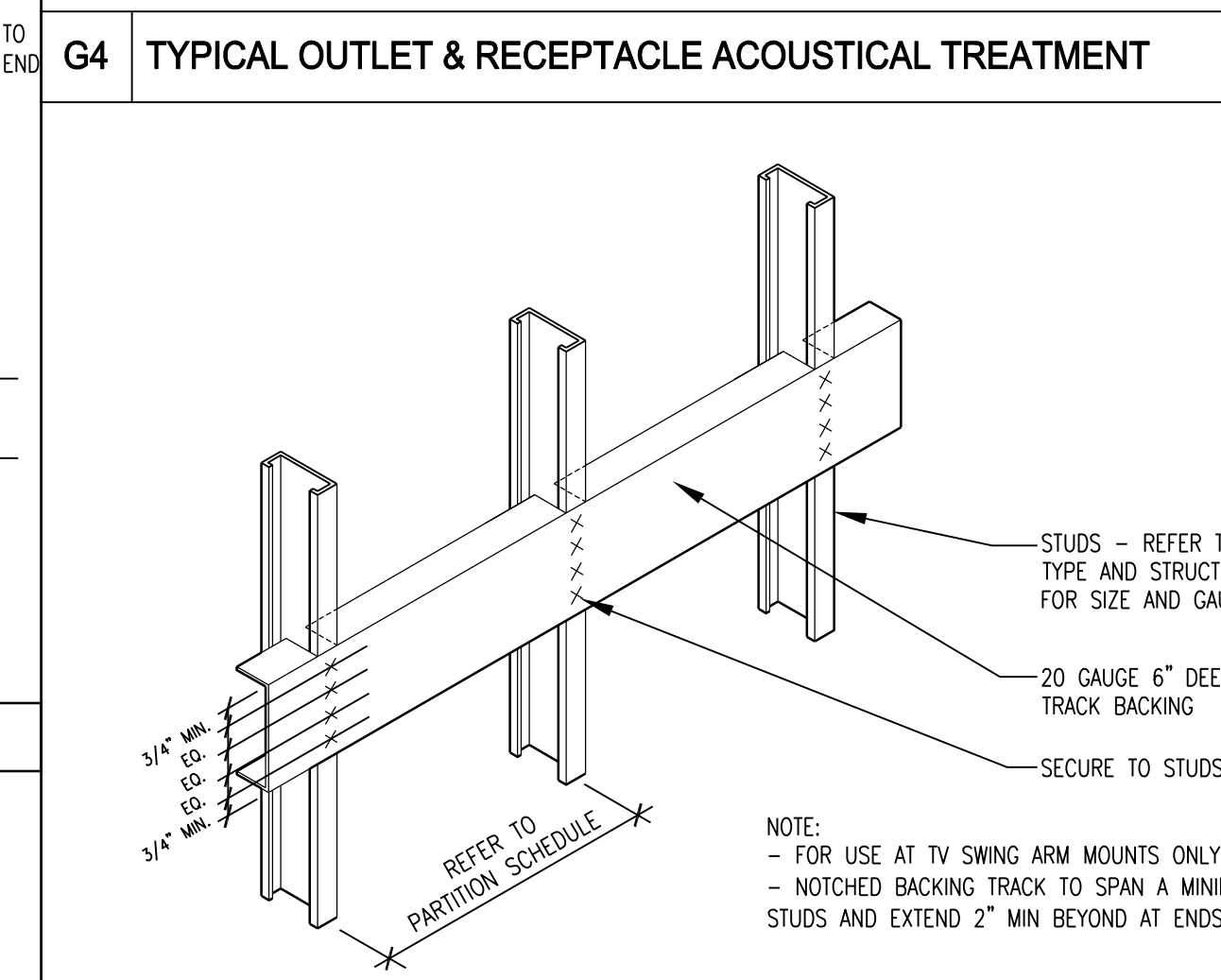
**A20 TYP ACOUSTICAL DTL: DOOR TREATMENT** NOT TO SCALE

**GENERAL PARTITION TYPE NOTES:**

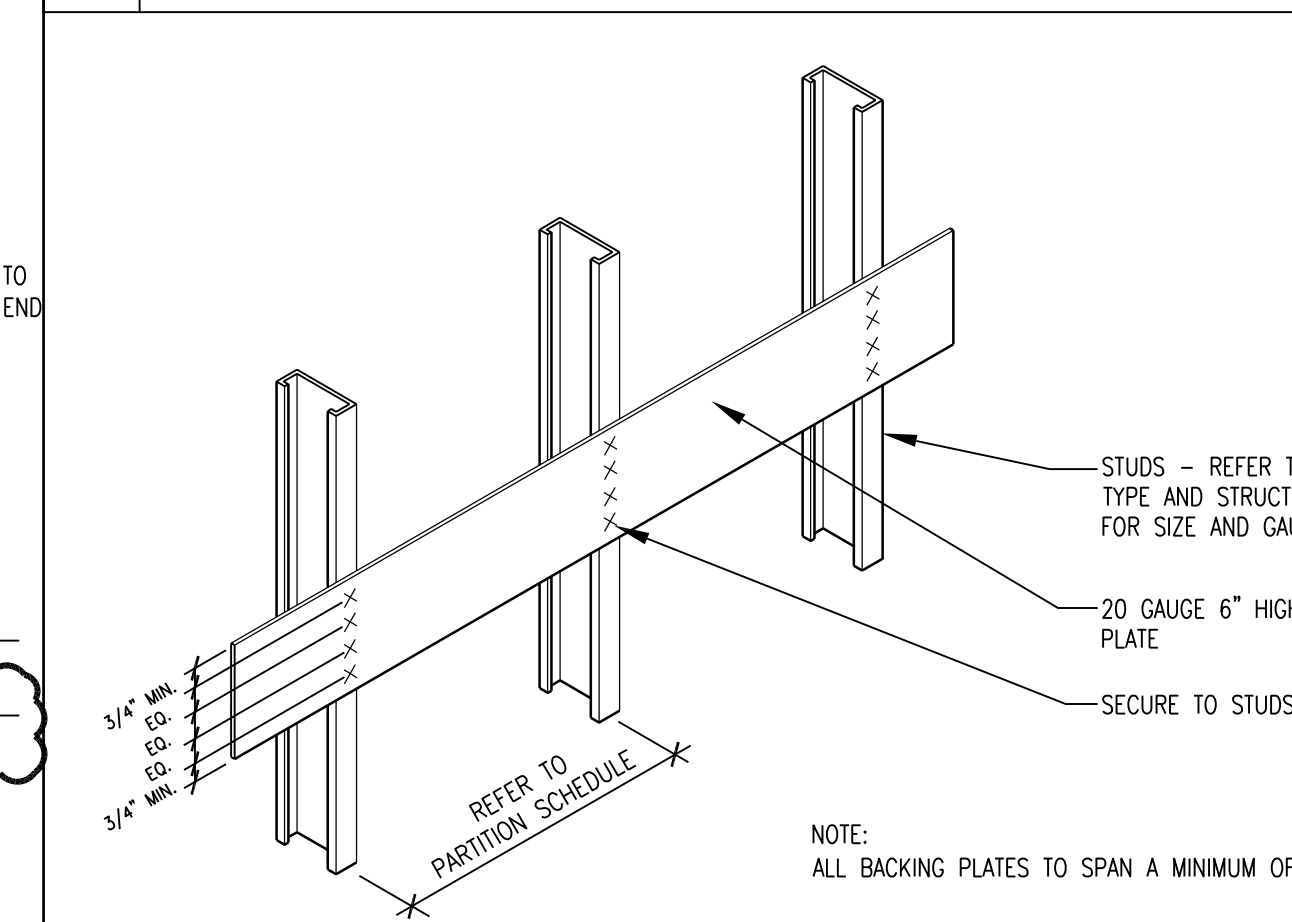
- PARTITIONS DIMENSIONED TO FINISH FACE INCLUDING DECORATIVE LAYER U.O.N.
- SEAL ALL HOISTWAY, STAIR, PIPE, DUCT AND AIR SHAFTS WITH ACOUSTICAL SEALANT AND FIRE-RATED ACOUSTICAL SEALANT WHERE REQUIRED. PROVIDE CLEAN CUT THROUGH GWB PARTITION AND PROVIDE CLEAN SEAL. SEE ACOUSTICAL PENETRATION DETAILS ON G-010 FOR DETAILS.
- ELECTRICAL AND SERVICE OUTLETS (ELECTRICAL, TELEPHONE, DATA, ETC) TO BE INSTALLED PER OUTLET ACOUSTICAL TREATMENT DETAIL G4/G-010 BELOW.
- WHERE MULTIPLE LAYERS OF GWB ARE TO BE INSTALLED, JOINTS ARE TO BE STAGGERED.
- USE OF STAIR RESISTANT GWB (VERY HIGH IMPACT) AT ALL CORRIDORS, ELEVATOR LOBBY, FLOOR LOUNGES, REAR RESTROOM RM #210, AND LAUNDRY ROOM #234 FOR THE EXPOSED FACE LAYER.
- USE TYPE 'X' GWB ON ALL PARTITIONS U.O.N.
- AT CERAMIC TILE WALL FINISH LOCATIONS USE CEMENTITIOUS BACKER BOARD IN LIEU OF MOISTURE RESISTANT GWB. USE MOLD AND MOISTURE RESISTANT GWB AT WALLS WITH BATHROOMS, LAUNDRY ROOM #234, AND WALLS TO RECEIVE F.R.P.
- DUCTS, PIPES OR OTHER WALL PENETRATIONS THAT INTERRUPT STUDS ARE TO BE COMPLETELY FRAMED AROUND WITH 1\"/>



**G4 TYPICAL OUTLET & RECEPTACLE ACOUSTICAL TREATMENT** NOT TO SCALE



**D4 HEAVY DUTY NOTCHED STUD BACKING** NOT TO SCALE



**A4 TYPICAL BACKING PLATE** NOT TO SCALE

**Clarke Catton Hintz**  
 Architecture  
 100 Barrack Street, Trenton, NJ 08638  
 Tel: (609) 833-8383, fax: (609) 833-4044  
 www.clarkecattonhintz.com  
 Drawing Copyright ©2016 Clarke Catton Hintz, PC

**OWNER:**  
 WILLIAM PATERSON UNIVERSITY  
 300 POMPTON RD.  
 WARREN, NJ 07054  
 (973) 729-2000

**ARCHITECT:**  
 WILLIAM PATERSON UNIVERSITY  
 300 POMPTON DRIVE  
 WARREN, NJ 07054  
 (973) 566-4900

**MECHANICAL/ELECTRICAL/PLUMBING:**  
 FIRE PROTECTION  
 PARTNER ENGINEERING AND SCIENCE, INC.  
 611 INDUSTRIAL WAY WEST  
 EATONTOWN, NJ 07724  
 (732) 389-1700

**AV/IT & SECURITY:**  
 R.G. VANDERWEL ENGINEERS, LLP  
 101 GROVERS MILL ROAD  
 QUAKERTOWN EXECUTIVE CENTER  
 LAWRENCEVILLE, NJ 08648  
 (609) 609.786.2727

NO.	DATE	DESCRIPTION
1	07/14/17	CONSTRUCTION DOCUMENTS
2	08/07/17	FINAL CONSTR. DOCUMENTS

**REVISIONS**

NO.	DATE	DESCRIPTION
1A	AS NOTED	CONSTR. DOC. REVISIONS
2A	AS NOTED	ADDENDUM 1
2B	08/24/17	ADDENDUM 2
2C	08/31/17	ADDENDUM 3
2D	09/08/17	ADDENDUM 6

**ARCHITECT:**  
 WILLIAM PATERSON UNIVERSITY  
 300 POMPTON DRIVE  
 WARREN, NJ 07054  
 (973) 566-4900  
 DATE: 08/07/2017

**WILLIAM PATERSON UNIVERSITY  
 NEW RESIDENCE HALL  
 WAYNE, NEW JERSEY**

**CONSTRUCTION DOCUMENTS  
 (ISSUED FOR CONSTRUCTION)**

DATE: 2017.08.07  
 SCALE: NTS  
 DRAWN BY:  
 CHECKED BY:

SHEET TITLE:  
**PARTITION TYPES & TYPICAL DETAILS**

DRAWING NO.:  
**G-010**  
 CCH PROJECT NO: 1932