

DOOR AND FRAME SCHEDULE

MARK	SIZE			DOOR		FRAME			FIRE RATING LABEL	REMARKS	
	WD	HT	THK	MAT'L	GLAZING	TYPE	DETAIL				
							MAT'L	HEAD			JAMB
001	6'-0"	7'-0"	1 3/4"								
002	3'-0"	7'-0"	1 3/4"	WD/GLASS	TEMP.	C	HM	2	2	--	
003	3'-0"	7'-0"	1 3/4"	WD/GLASS	TEMP.	C	HM	2	2	--	
004	3'-0"	7'-0"	1 3/4"	WD	--	A	HM	2	2	--	
005	3'-0"	7'-0"	1 3/4"	WD/GLASS	TEMP.	C	HM	2	2	--	
006	3'-0"	7'-0"	1 3/4"	WD/GLASS	TEMP.	C	HM	2	2	--	
007	3'-0"	7'-0"	5/8"	GLASS	TEMP.	H	FRAMELESS	6	6	5	
008	PR 2'-6" 3'-0" 5'-6" WD	7'-0"	1 3/8"	HM	--	B	HM	2	2	--	
009	PR 2'-6" 3'-0" 5'-6" WD	7'-0"	1 3/8"	HM	--	B	HM	2	2	--	
010	6'-0"	7'-0"	1 3/4"	HM	--	B	HM	2	2	--	
011	3'-0"	7'-0"	1 3/4"	WD	--	A	HM	2	2	--	
012	3'-0"	7'-0"	1 3/4"	WD	--	A	HM	2	2	7	
013	2'-8"	7'-0"	1 3/4"	WD	--	A	HM	2	2	7	
014	3'-0"	7'-0"	1 3/4"	WD	--	A	HM	2	2	7	
015	6'-0"	7'-0"	1 3/4"	HM	--	B	HM	2	2	8	
016	3'-0"	7'-0"	1 3/4"	HM	--	J	TRIMLESS	9,10,11	10	--	
017	3'-0"	3'-6"	1"		PART OF CABINETRY SUBMITTAL	K	--	--	--	--	
018	PR 2'-6" 3'-0" 5'-6" WD	7'-0"	1 3/8"	HM	--	B	HM	2	2	--	
019	6'-0"	7'-0"	2"	AL/GL	TEMP. INSUL.	G	AL	*	*	8	
020	6'-0"	7'-0"	2"	AL/GL	TEMP. INSUL.	G	AL	*	*	8	
021	6'-0"	7'-0"	2"	AL/GL	TEMP.	G	AL	*	*	--	

DOOR 001 EXISTING DOOR TO REMAIN

DOORS 008 AND 009 TO BE PAIR OF DOORS WITH ONE 2'-6" WIDE ONE 3'-0" WIDE SEE SK-016

DOOR 018 TO BE PAIR OF DOORS WITH ONE 2'-6" WIDE ONE 3'-0" WIDE SEE SK-016R FOR PLAN.

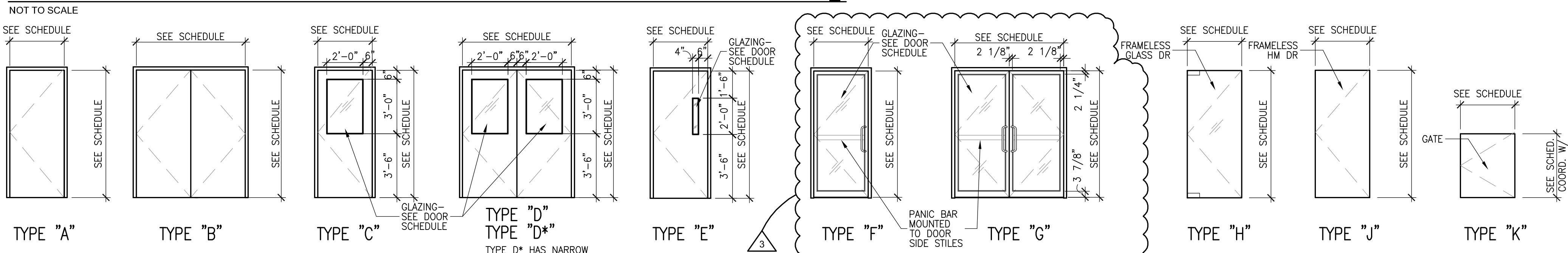
* CUT FLOOR TO RECEIVE CLOSER

DOOR AND FRAME SCHEDULE

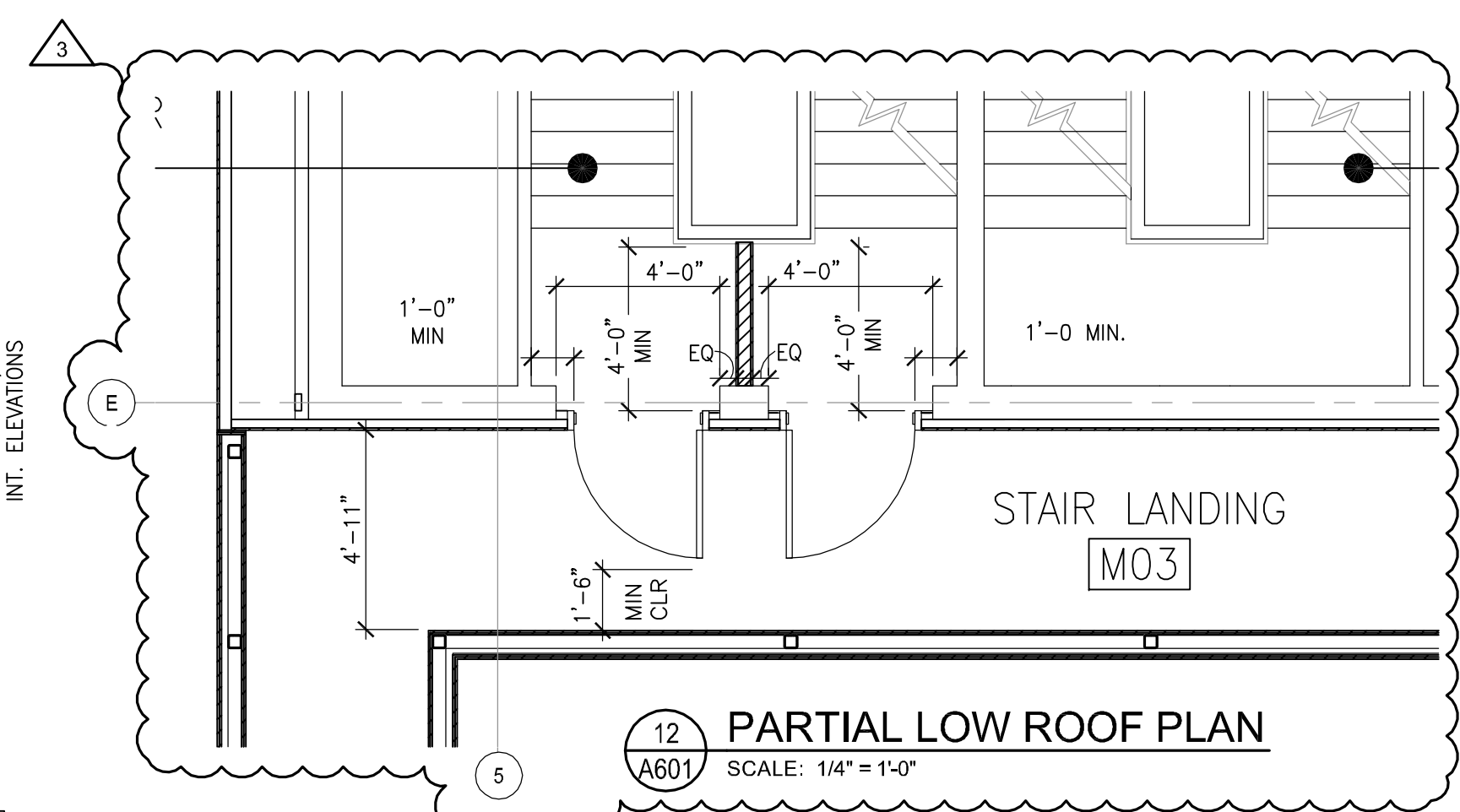
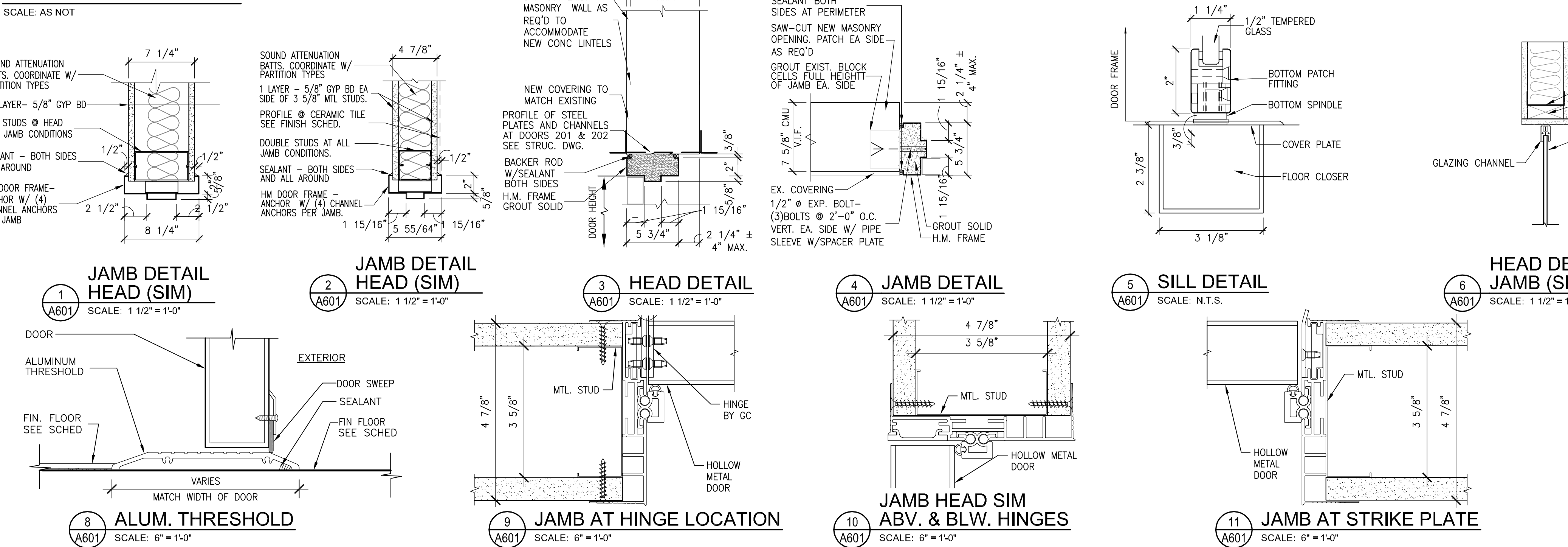
MARK	SIZE			DOOR		FRAME			FIRE RATING LABEL	REMARKS	
	WD	HT	THK	MAT'L	GLAZING	TYPE	DETAIL				
							MAT'L	HEAD			JAMB
104	3'-0"	7'-0"	5/8"	GLASS	TEMP.	H	FRAMELESS	6	6	5	
105	3'-0"	7'-0"	5/8"	GLASS	TEMP.	H	FRAMELESS	6	6	5	
106	3'-0"	7'-0"	5/8"	GLASS	TEMP.	H	FRAMELESS	6	6	5	
107	3'-0"	7'-0"	5/8"	GLASS	TEMP.	H	FRAMELESS	6	6	5	
108	3'-0"	7'-0"	5/8"	GLASS	TEMP.	H	FRAMELESS	6	6	5	
109	3'-0"	7'-0"	1 3/4"	WD	--	A	HM	2	2	--	
110	3'-0"	7'-0"	1 3/4"	WD	--	A	HM	2	2	7	
111	3'-0"	7'-0"	1 3/4"	WD	--	A	HM	2	2	7	
112	3'-0"	7'-0"	1 3/4"	HM	--	A	HM	2	2	7	
113	3'-0"	7'-0"	1 3/4"	WD/GLASS	TEMP.	C	HM	2	2	--	
114	3'-0"	7'-0"	1 3/4"	WD/GLASS	TEMP.	C	HM	2	2	--	
115	3'-0"	7'-0"	1 3/4"	WD/GLASS	TEMP.	E	HM	2	2	--	
116	3'-0"	7'-0"	1 3/4"	HM	90 MIN., 100 SQ IN. MAX., FIRE RESISTIVE, TEMPERED	E	HM	2	2	--	
117	3'-0"	7'-0"	1 3/4"	WD/GLASS	TEMP.	C	HM	2	2	--	
118	6'-0"	7'-0"	1 3/4"	HM	--	D*	HM	3	4	--	
119	6'-0"	7'-0"	1 3/4"	HM	--	B	HM	3	4	--	
120	6'-0"	7'-0"	2"	AL/GL	--	G	AL	--	--	--	
121	6'-0"	7'-0"	2"	AL/GL	TEMP., INSUL.	G	AL	*	*	8	
122	3'-2"	7'-0"	2"	AL/GL	TEMP., INSUL.	F	AL	*	*	8	
123	3'-2"	7'-0"	2"	AL/GL	TEMP., INSUL.	F	AL	*	*	8	
124	6'-0"	7'-0"	2"	AL/GL	--	G	AL	--	--	--	
125	6'-0"	7'-0"	2"	AL/GL	TEMP., INSUL.	G	AL	*	*	8	
126	3'-0"	3'-6"	1"	LINO ON PLYWOOD	PART OF CABINETRY SUBMITTAL	K					

LEGEND:
 AL = ALUMINUM
 AL/GL = ALUMINUM GLASS
 HM = HOLLOW METAL
 INSUL = INSULATED
 M = MARBLE
 PTD = PAINTED
 SCWD = SOLID CORE WOOD
 STF = STAIN FINISH
 TEMP = TEMPERED

DOOR TYPES



HEAD AND JAMB DETAILS



N.J. A105415 N.Y. 11339

CT. 09009 PA. B 6580

Noel S. Musial, A.I.A.

The Drawings, Specifications and other documents prepared by the Architect for this project are instruments of the Architect's service for use solely with respect to this project and the Architect shall be deemed the author of statutory and other reserved rights, including copyright. The owner shall be permitted to retain copies, including reproducible copies, of the Architect's drawings, Specifications or other documents shall not be used by the Owner or others on other projects, for additions to this Project or for completion of this Project by others, unless the Architect agrees in writing and with appropriate compensation to the Architect.

Submission or distribution of documents to meet official regulatory requirements or for similar purposes in connection with the Project is not to be construed as publication in derogation of the Architect's reserved rights.

These drawings may not be reproduced by any means without the express written consent of the architect.

Each CONTRACTOR SHALL THOROUGHLY EXAMINE AND BECOME FAMILIAR WITH ALL CONTRACT DOCUMENTS FOR THE PROJECT AND NOT LIMIT THEIR WORK TO DRAWINGS REFERENCED FOR INDIVIDUAL TRADES.

© Copyright 2016
BUSINESS PROPRIETARY INFORMATION

Union County College

LESSNER FIRST FLOOR ADDITION & FIRST FLOOR & LOWER LEVEL REHABILITATION

Lessner Building Elizabeth Campus

12 West Jersey Street Elizabeth, NJ 07202

THE MUSIAL GROUP ARCHITECTURE

191 Mill Lane Mountainside, NJ 07092
t. 908.232.2860 f. 908.232.2845
e. studio@themusialgroup.com

March 2016

Revision Number	Revision Description	Revision Date
ADDENDUM # 1		04/05/2016
ADDENDUM # 2		04/11/2016
REVISION # 3		10/28/2016

Scale: as noted
 Drawn by: AMB
 Checked by: NSM

108813

DOOR SCHEDULE & HEAD/JAMB DETAILS

A601

ORIGINAL IF IT IS RED IT IS AN ORIGINAL

P:\1000-1099\108813\108813.dwg, 14 Fl. Lessner Building, 10/28/2016 5:08:48 PM