

The Drawings, Specifications and other documents prepared by the Architect for this project are instruments of the Architect's service for use solely with respect to this project and the Architect shall be deemed the author of statutory and other reserved rights, including copyright. The owner shall be permitted to retain copies, including reproducible copies, of the Architect's drawings, Specifications or other documents shall not be used by the Owner or others on other projects, for additions to this Project or for completion of this Project by others, unless the Architect agrees in writing and with responsible compensation to the Architect.

Submission or distribution of documents to meet official regulatory requirements or for similar purposes in connection with the Project is not to be construed as publication in derogation of the Architect's reserved rights.

These drawings may not be reproduced by any means without the express written consent of the architect.

EACH CONTRACTOR SHALL THOROUGHLY EXAMINE AND BECOME FAMILIAR WITH ALL CONTRACT DOCUMENTS FOR THE PROJECT AND NOT LIMIT THEIR WORK TO DRAWINGS REFERENCED FOR INDIVIDUAL TRADES.

© Copyright 2016
 BUSINESS PROPRIETARY INFORMATION

Union County College

LESSNER FIRST FLOOR ADDITION & FIRST FLOOR & LOWER LEVEL REHABILITATION
 Lessner Building
 Elizabeth Campus
 12 West Jersey Street
 Elizabeth, NJ 07202

THE MUSIAL GROUP ARCHITECTURE
 191 Mill Lane
 Mountainside, NJ 07092
 t. 908.232.2860
 f. 908.232.2845
 e. studio@themusialgroup.com

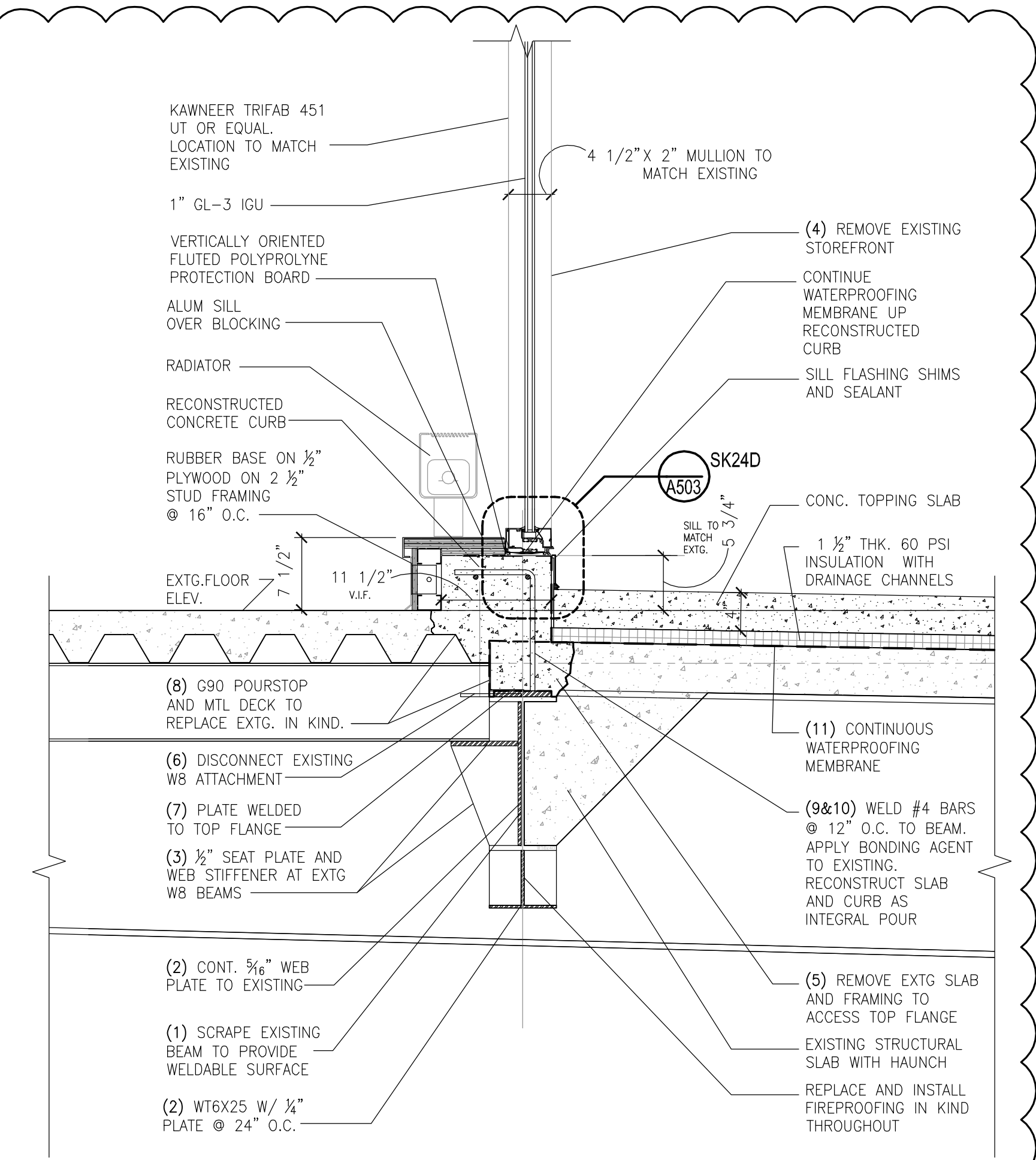
March 2016

Revision Number	Revision Description	Revision Date
1	ADDENDUM # 1	04/05/2016
2	ADDENDUM # 2	04/11/2016
3	REVISION # 3	10/28/2016

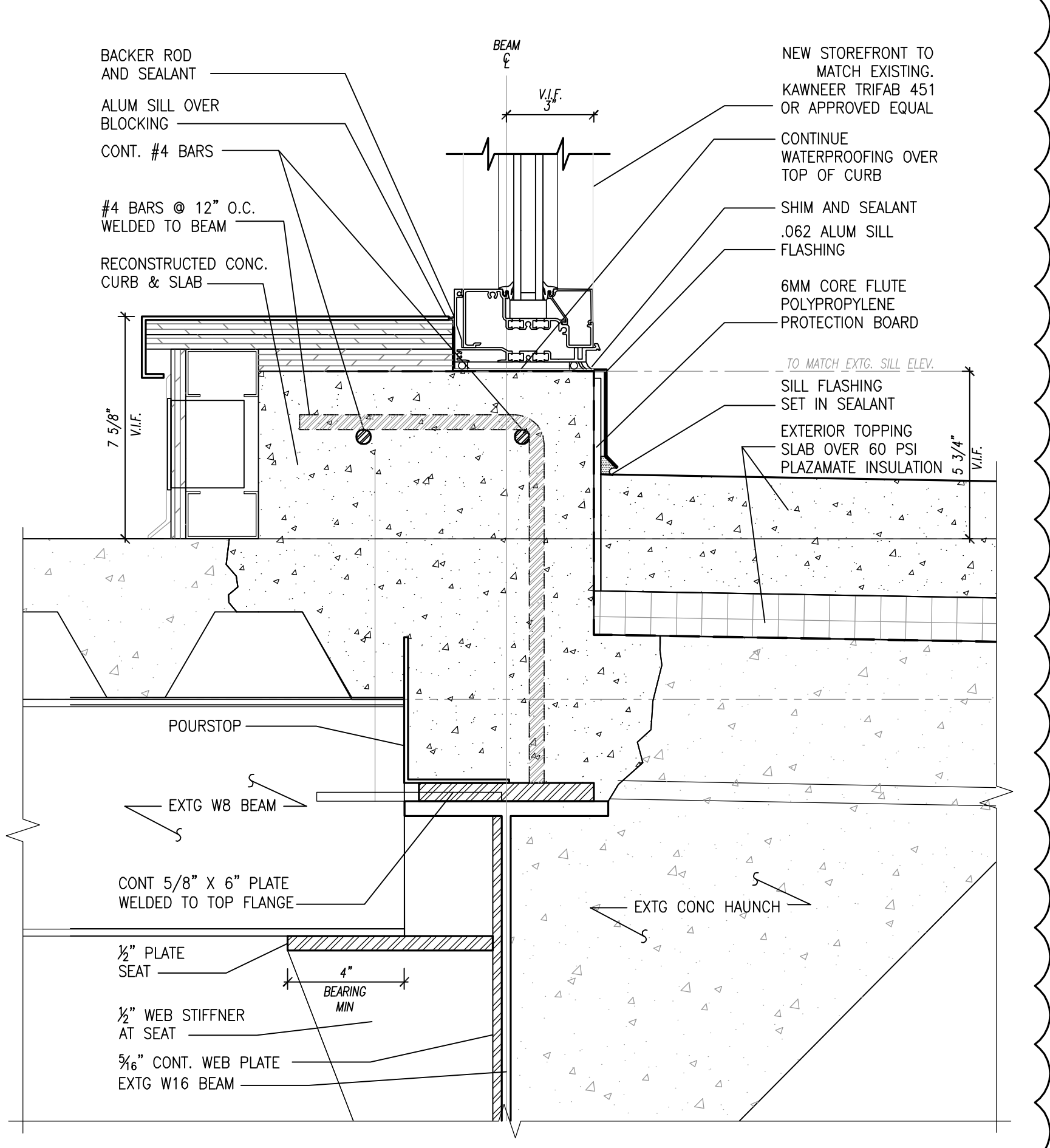
Scale: AS NOTED
 Drawn by:
 Checked by:

108813
DETAILS

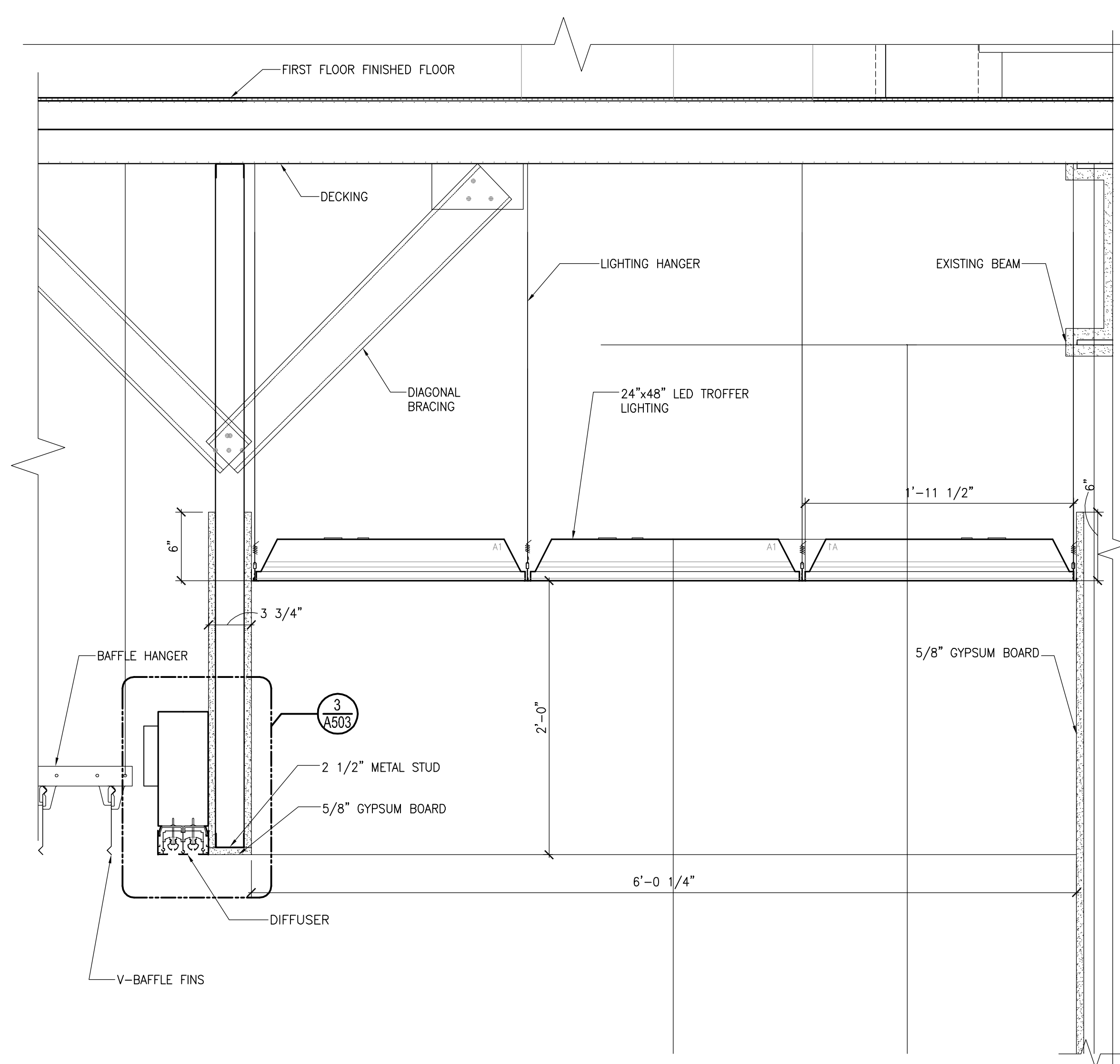
A503



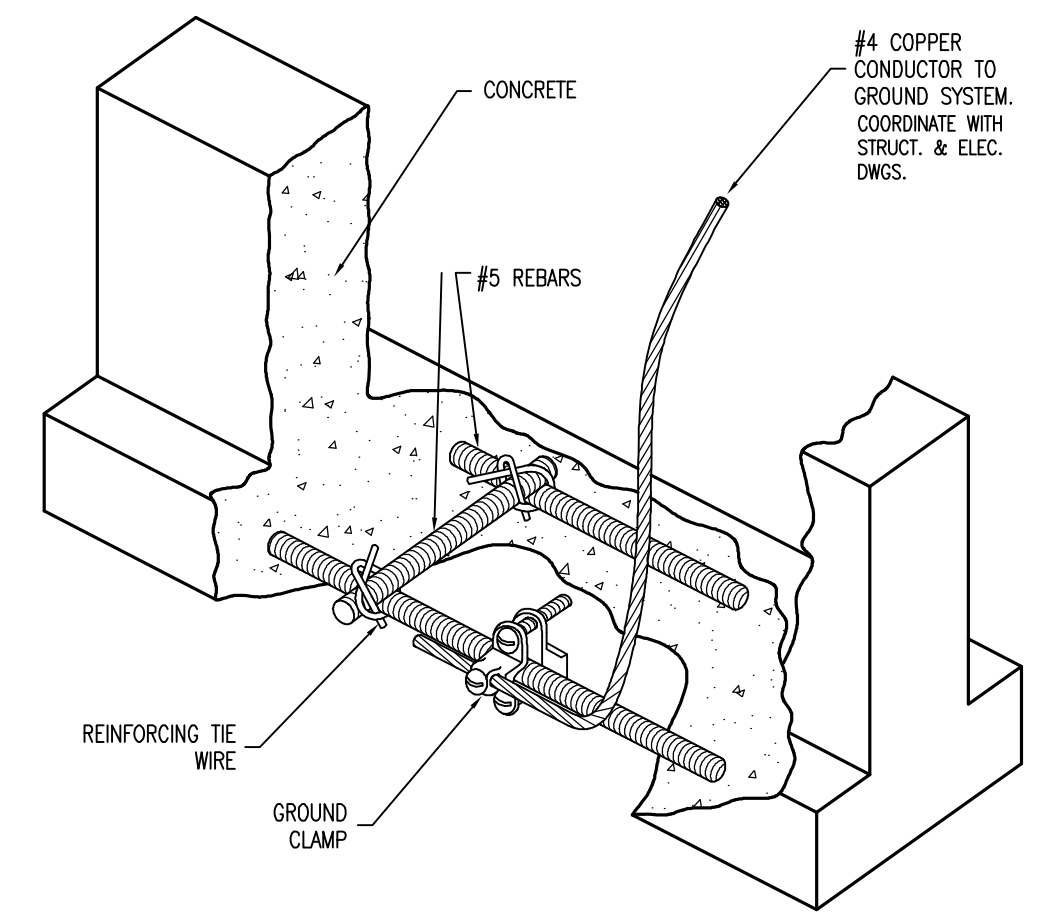
DETERIORATED BEAM RECONSTRUCTION DETAIL W/ POTENTIAL SEQUENCING
 SK24C A503 SCALE: 1" = 1'-0"



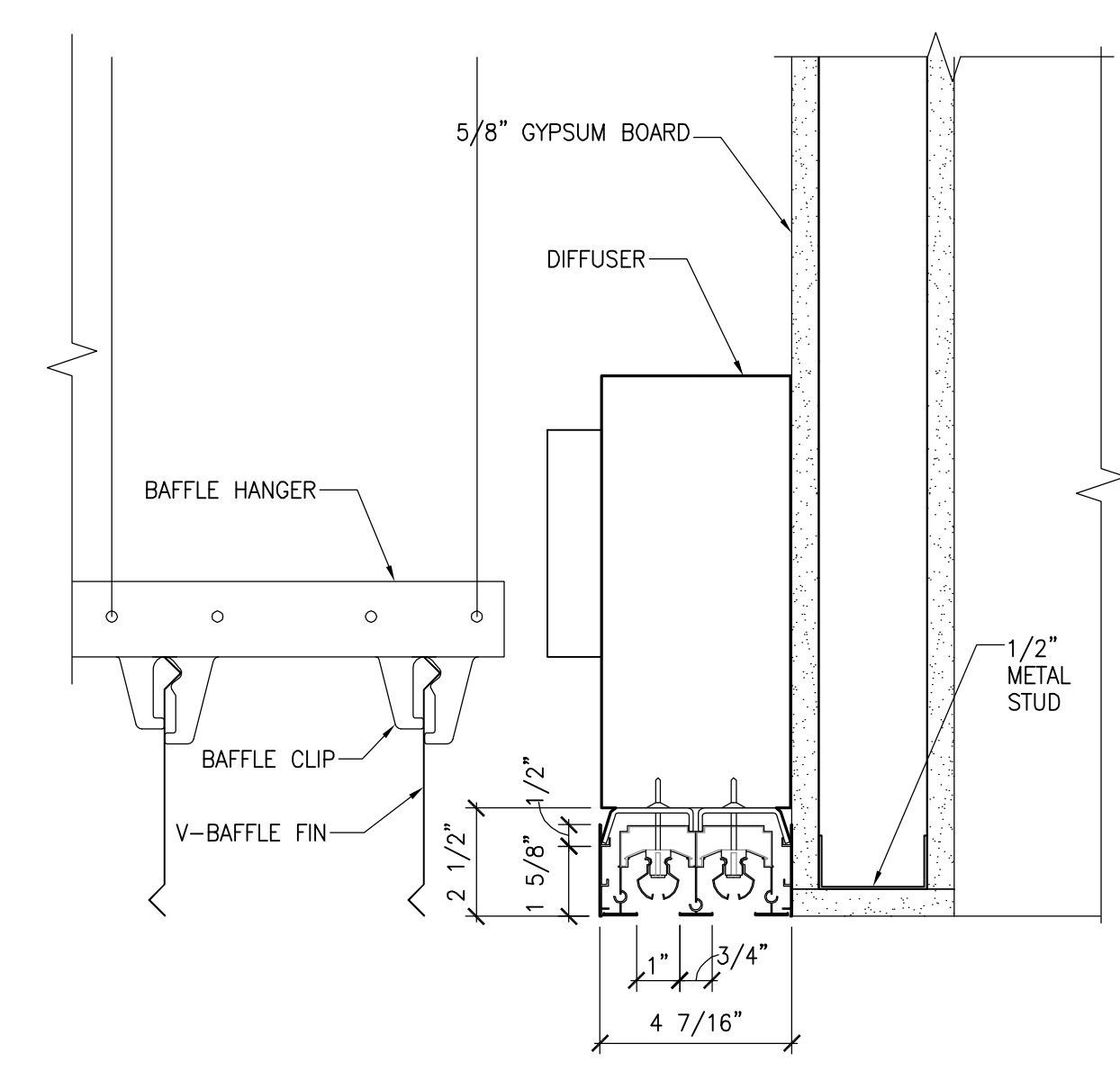
DETERIORATED BEAM RECONSTRUCTION DETAIL W/ POTENTIAL SEQUENCING
 SK24L A503 SCALE: 1" = 1'-0"



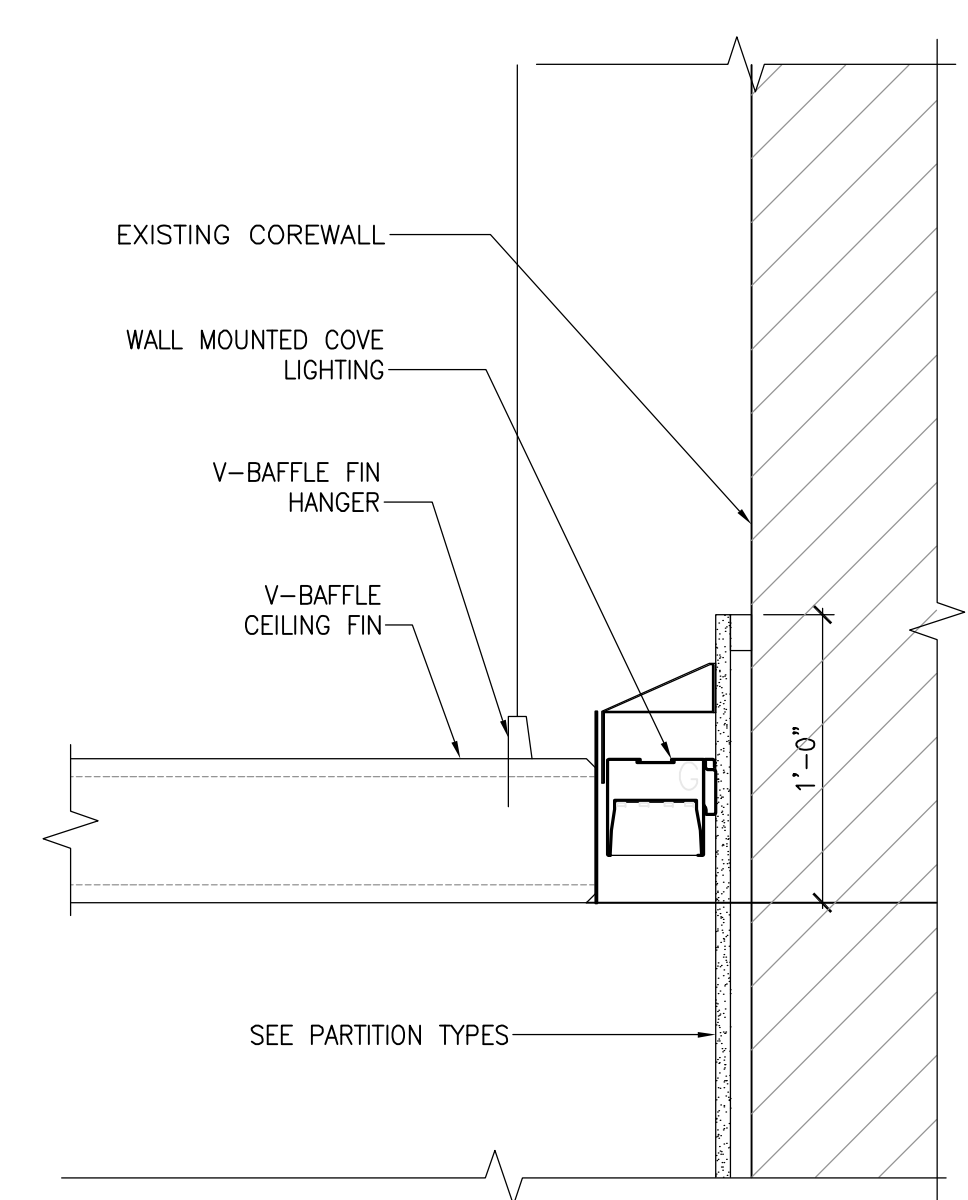
1 CEILING DETAIL
 A503 SCALE: 1 1/2" = 1'-0"



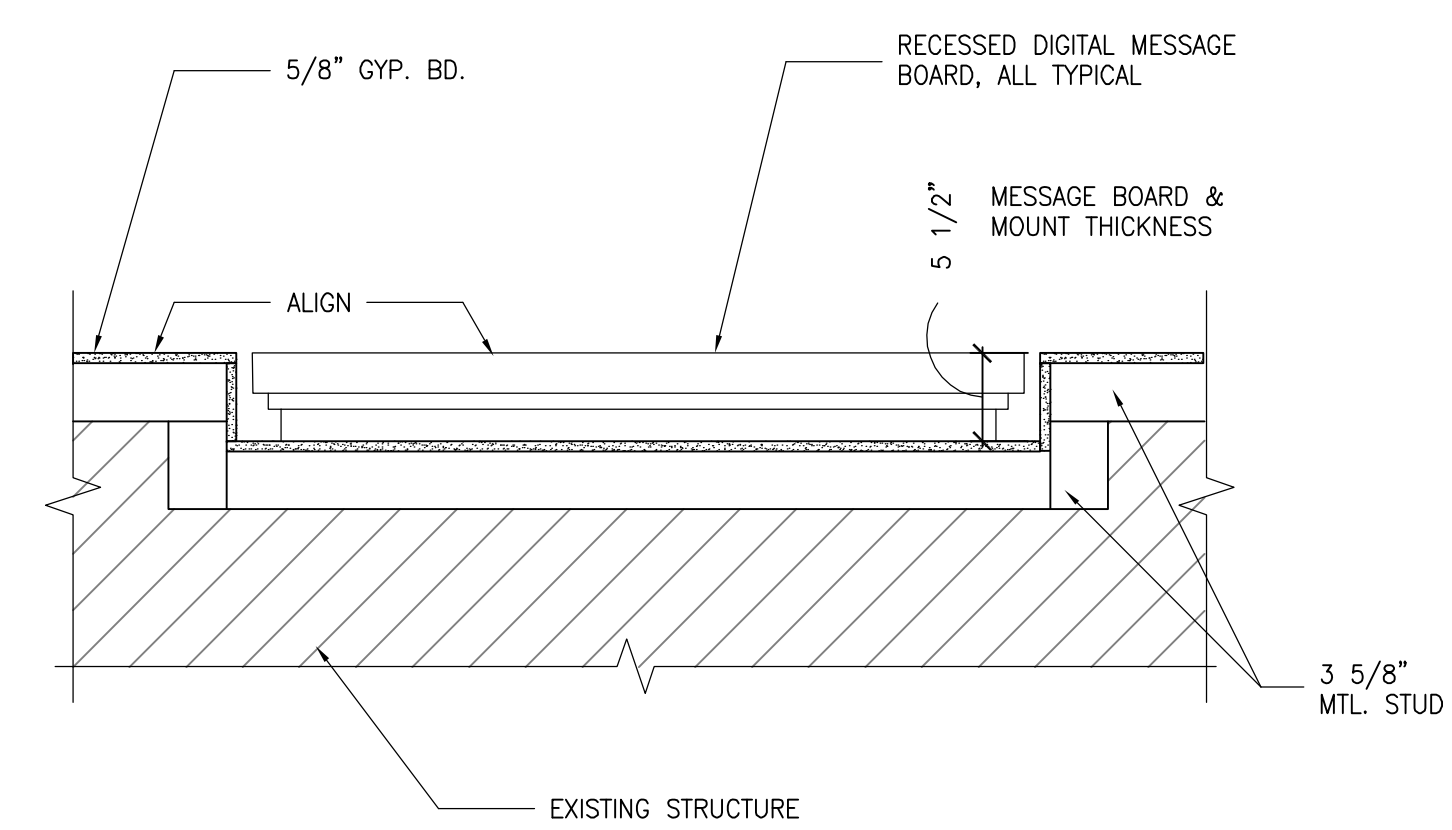
2 FOOTING GROUNDING DETAIL
 A503 SCALE: N.T.S.



3 CEILING DETAIL
 A503 SCALE: 3" = 1'-0"



4 DETAIL
 A503 SCALE: 1 1/2" = 1'-0"



5 MESSAGE BOARD MOUNTING, TYP.
 A503 SCALE: 1" = 1'-0"

ORIGINAL
 IF IT IS RED IT IS AN ORIGINAL

P:\1100-1090\108813 UC College 1st Fl. Lessner Building_DOCUMENTSET\108813_A503.dwg, A503, 10/26/2016 5:53:59 PM