

GANNETT FLEMING, P.C.
ENGINEERS AND ARCHITECTS

John D. Purdy
JOHN D. PURDY
N.J. Professional Engineer # 2466E03967100

No.	Date	Revision	Approved

ENGINEERING DEPARTMENT

JOURNAL
SQUARE
TRANSPORTATION
CENTER

STRUCTURAL

Title
BUS TERMINAL
ESCALATOR REPLACEMENT

CONCOURSE LEVEL
SECTIONS AND
DETAILS - I

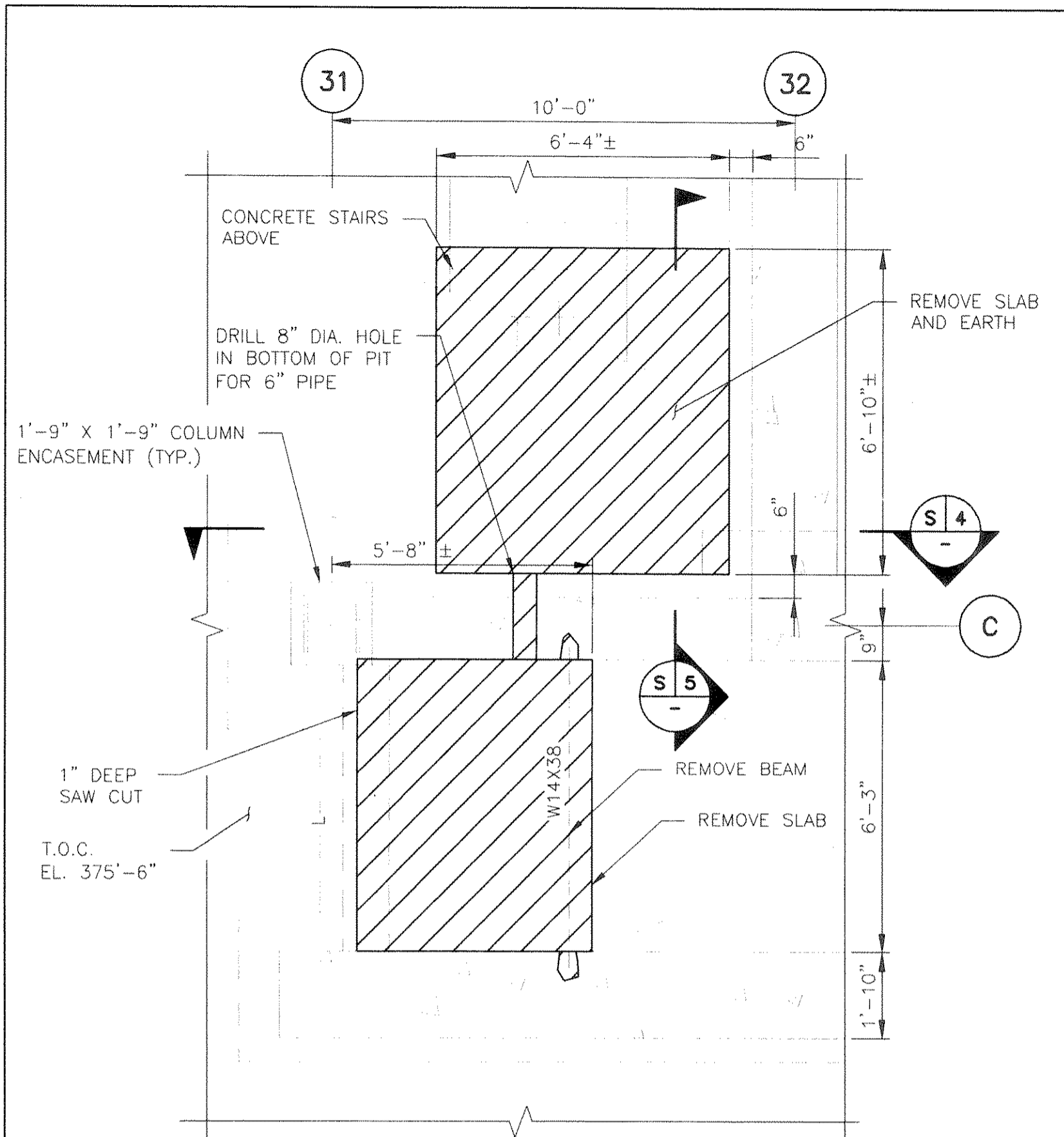
This drawing subject to conditions in contract. All inventions, ideas, designs and methods herein are reserved to Port Authority and may not be used without its written consent.
All recipients of Contract documents, including bidders and those who do not bid and their prospective subcontractors and suppliers who may receive all or a part of the Contract documents or copies thereof, shall make every effort to ensure the secure and appropriate disposal of the Contract documents to prevent further disclosure of the information contained in the documents. Secure and appropriate disposal includes methods of document destruction such as shredding or arrangements with refuse handlers that ensure that third persons will not have access to the documents' contents either before, during, or after disposal. Documents may also be returned for disposal purposes to the Contract Desk on the 3rd Floor, 3 Gateway Center, Newark, NJ 07102 or the office of the Director of Procurement, One Madison Avenue, 7th Floor, New York, NY 10010.

J. Villa J. Villa R. Acoury
Designed by Drawn by Checked by

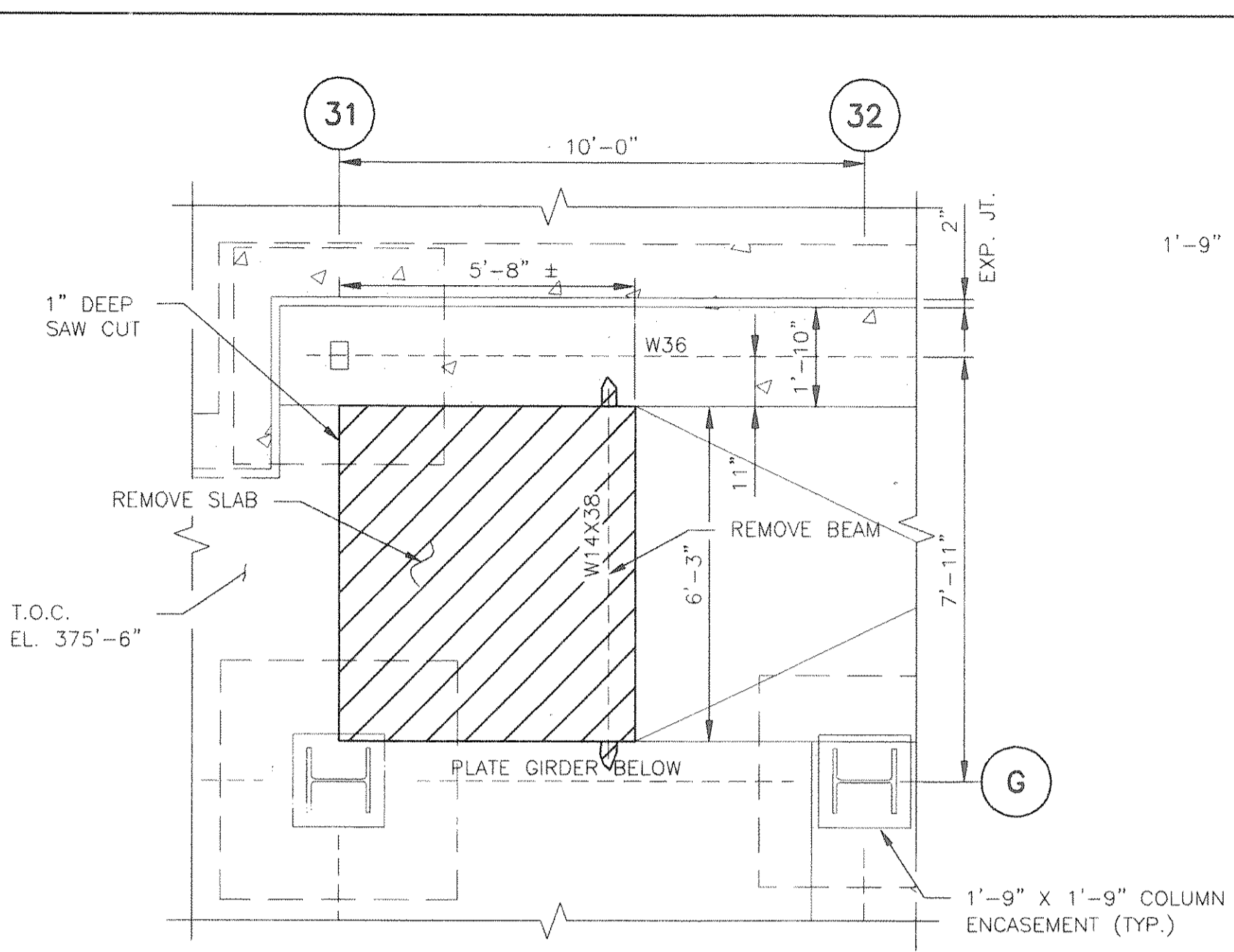
Date 11/17/2008

Contract Number PAT-214.004

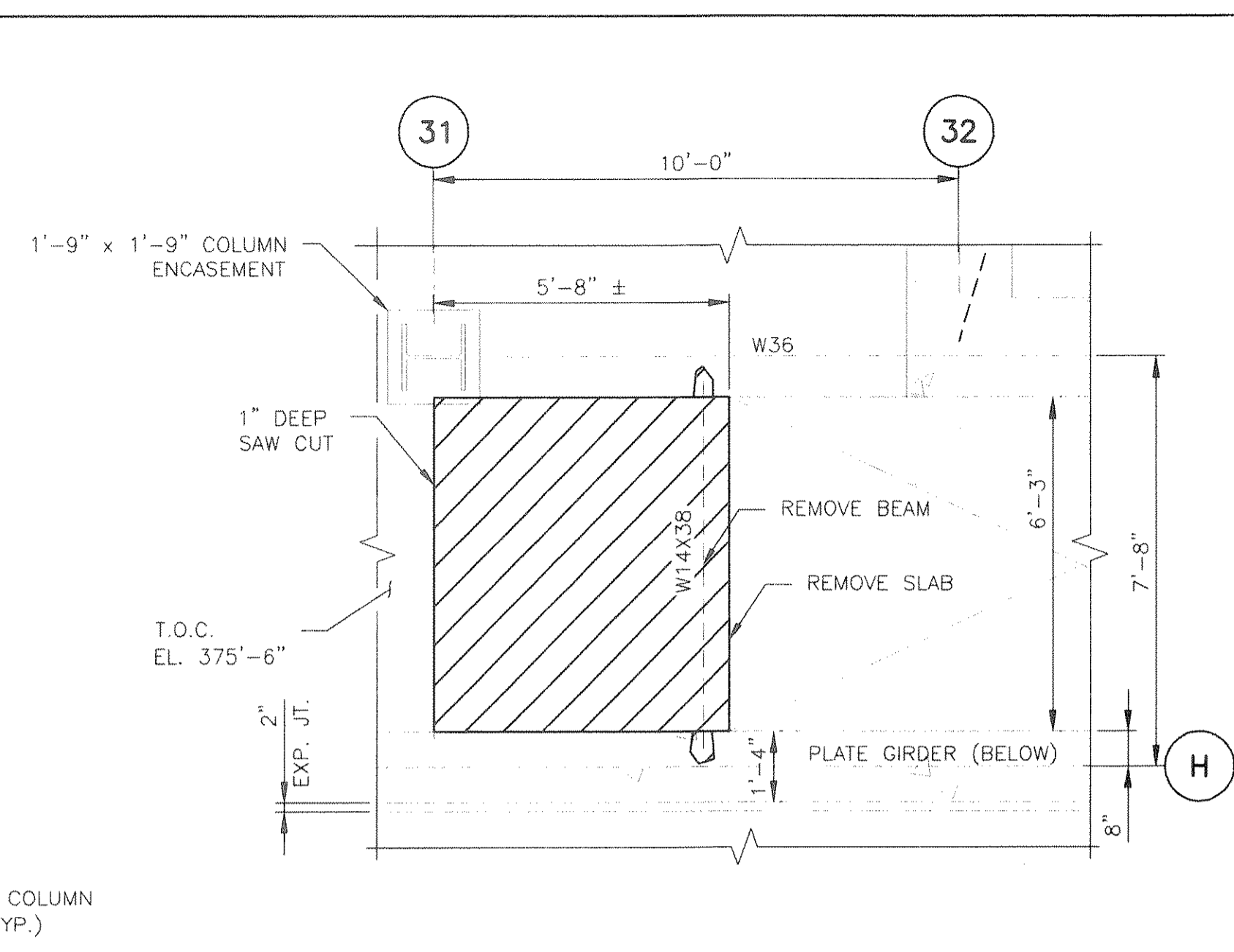
Drawing Number S008
PID# 07957000



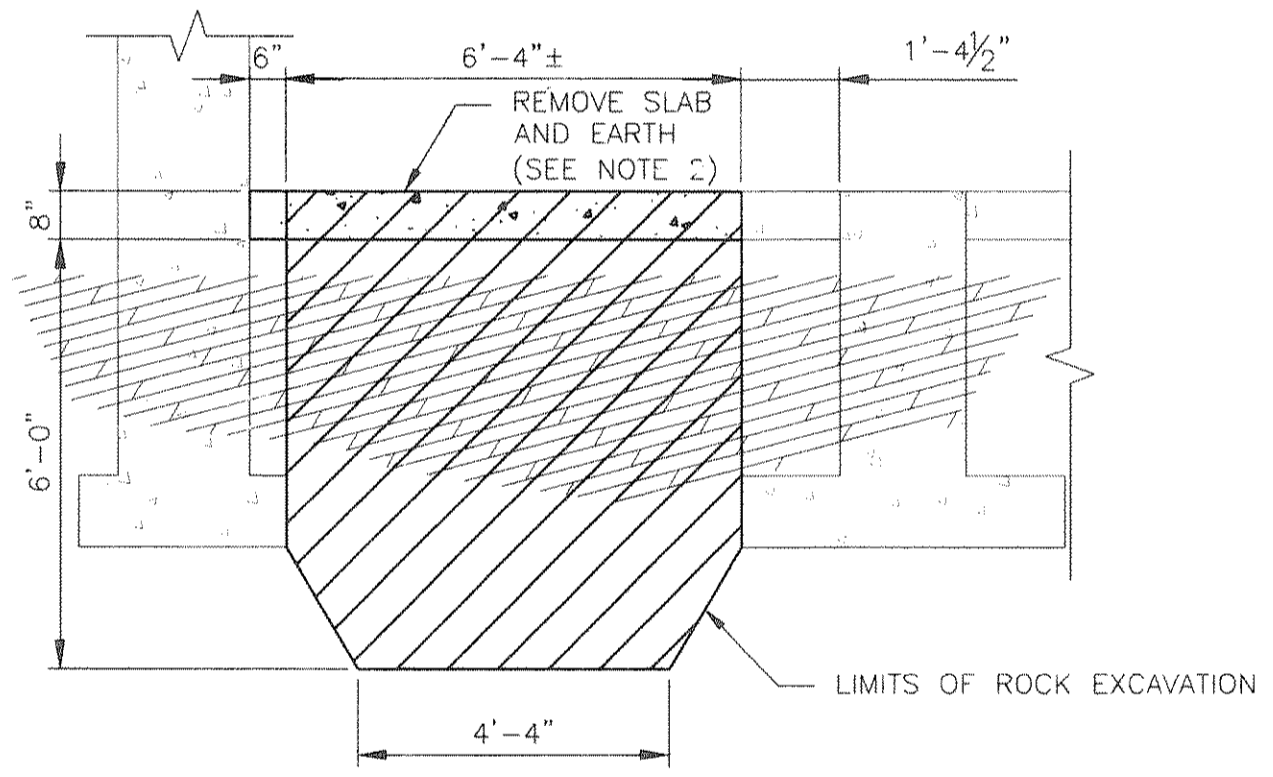
D1
S002
SCALE IN FEET



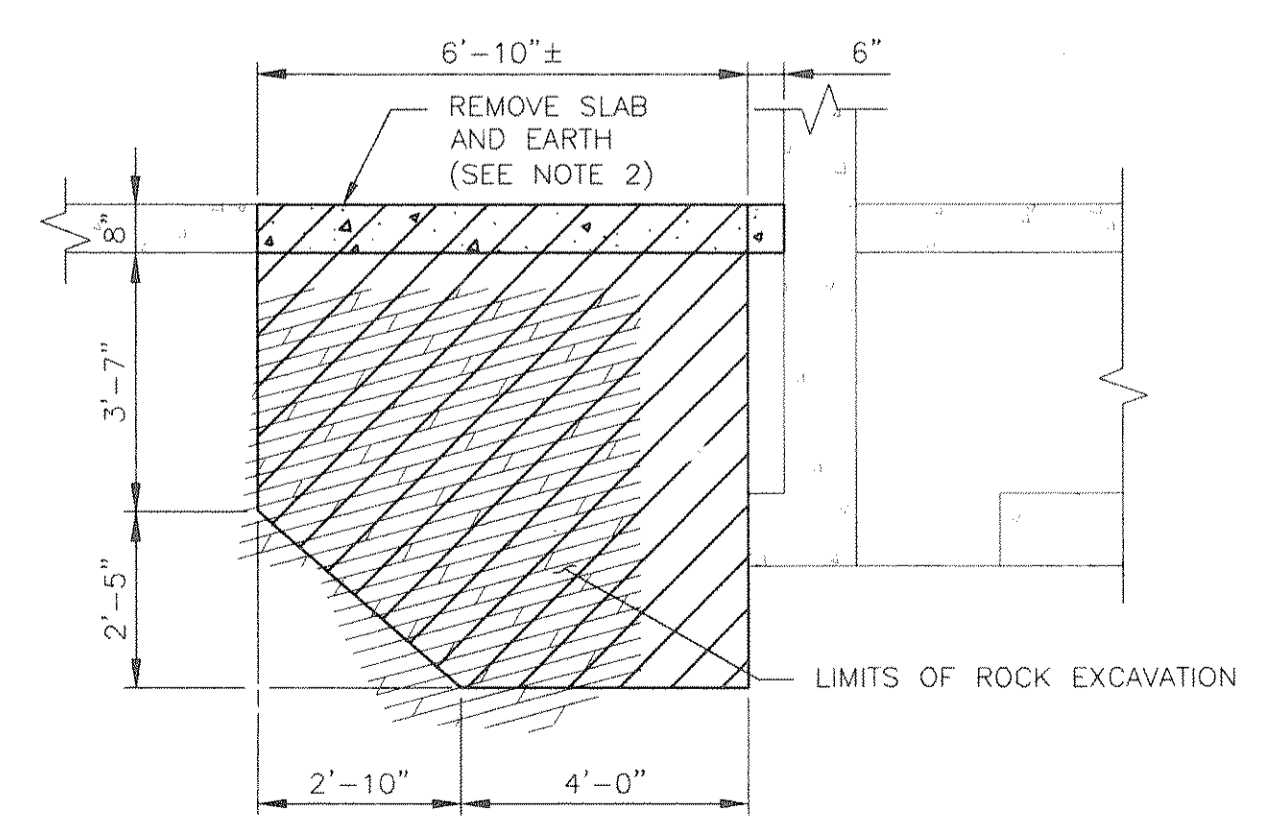
D2
S002
SCALE IN FEET



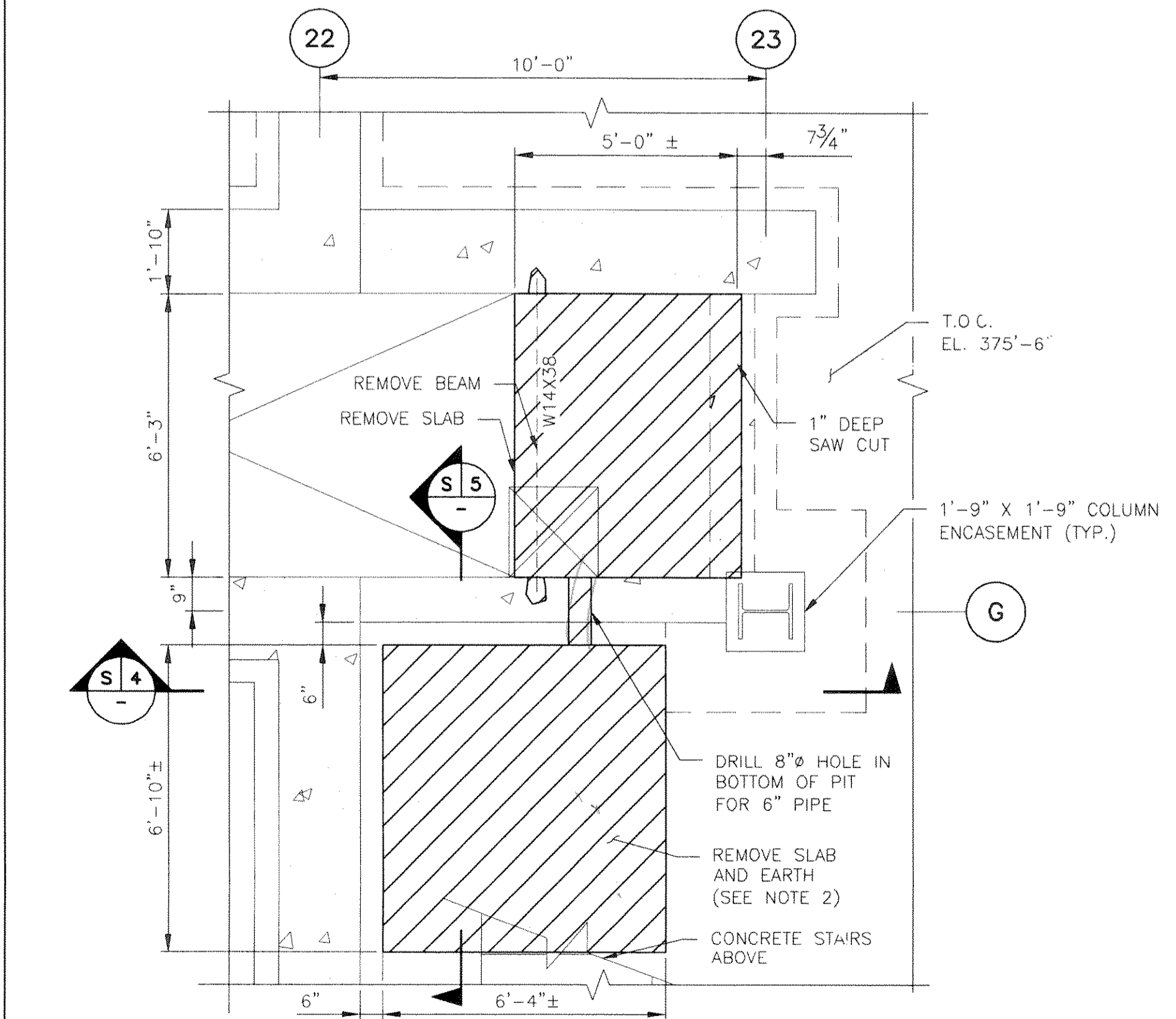
D3
S002
SCALE IN FEET



S4
SCALE IN FEET



S5
SCALE IN FEET



D4
SCALE IN FEET

NOTES

- FOR PLATE GIRDER DIMENSIONS, SEE DWG. S001.
- BRACED EXCAVATION IS REQUIRED (SEE SPEC. 02221).