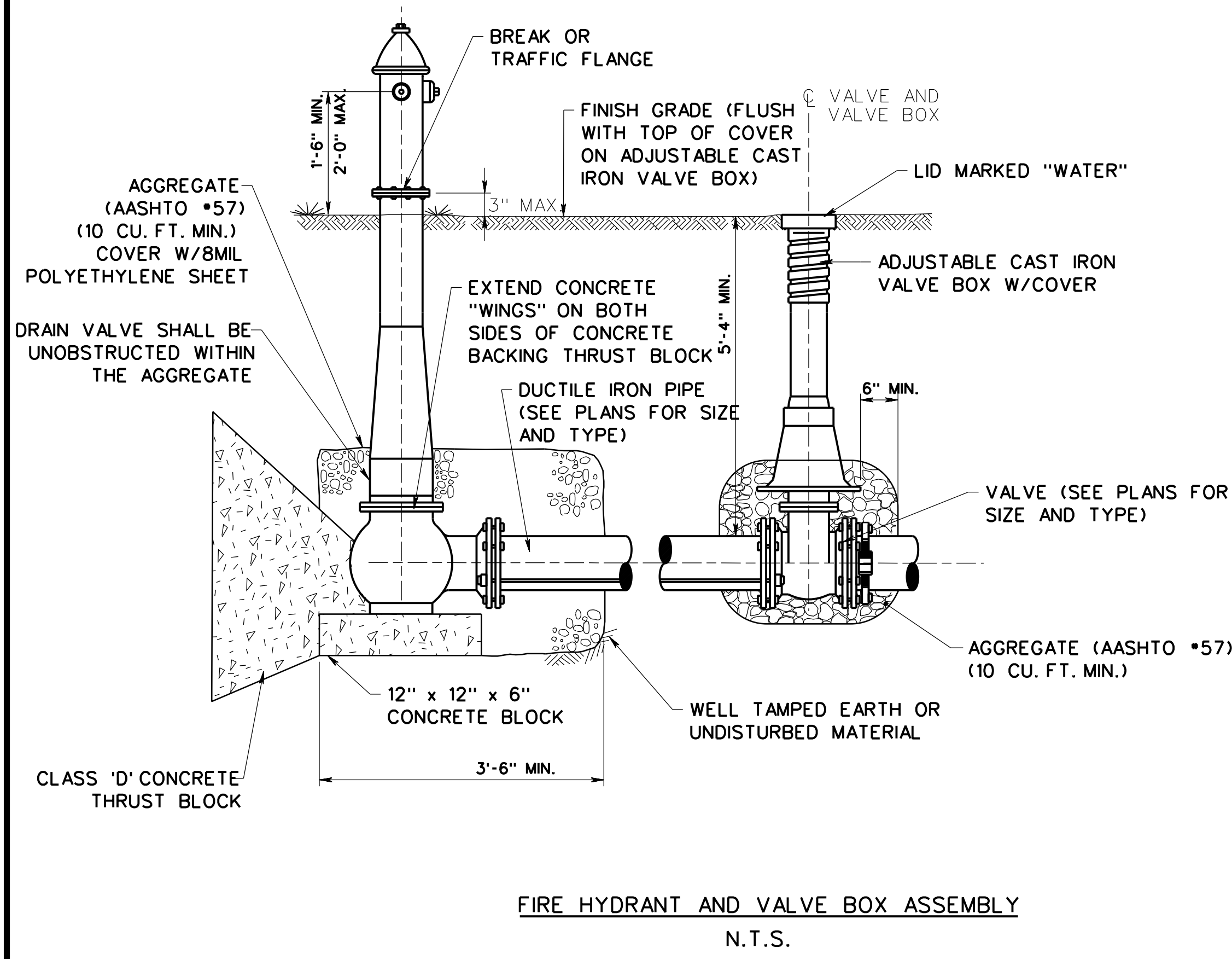
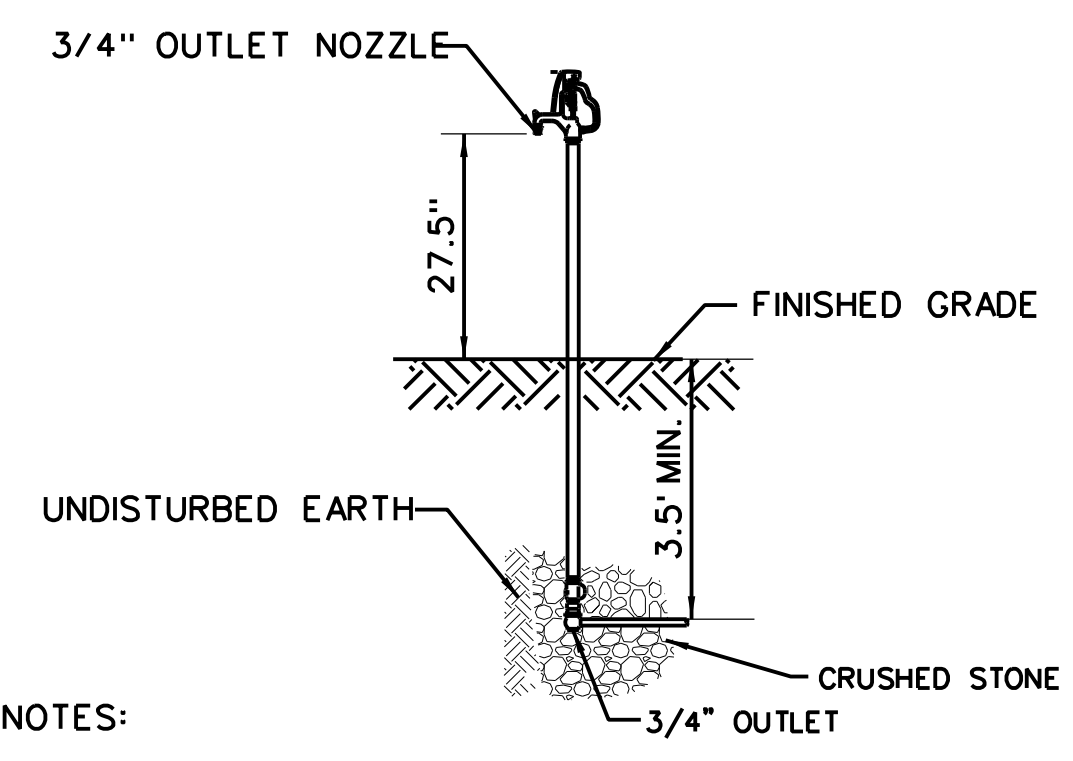


FILE NAME: P:\CH-5\CH-5\DWG\Projects\361163.00_AJUTED\Drawings\Sheets\Telegraph Hill\500_360_CP2_0029.dwg
 DATE: 5/2/2016 TIME: 8:04:41 AM USERNAME: BUSERRAMA5

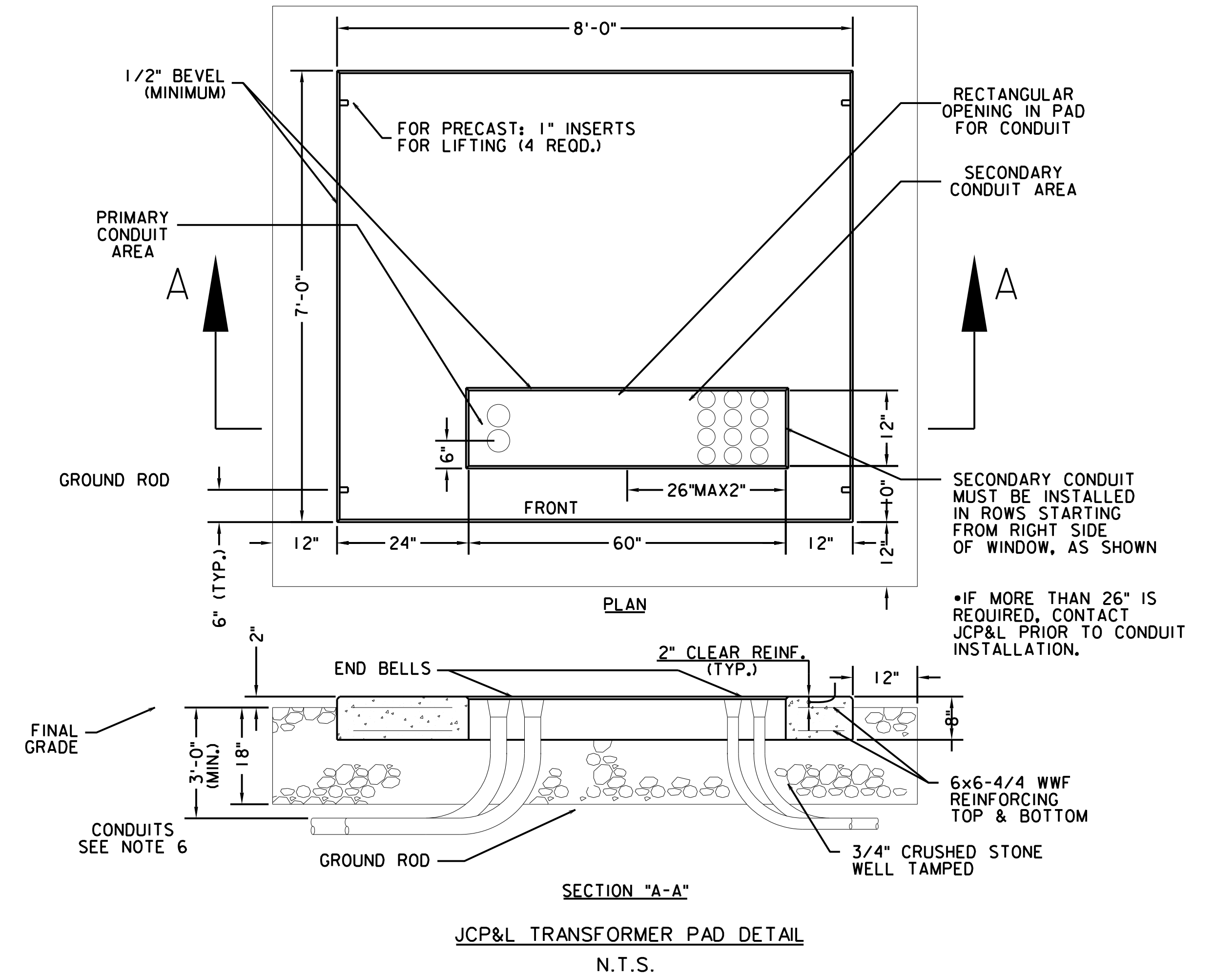


FIRE HYDRANT AND VALVE BOX ASSEMBLY
N.T.S.

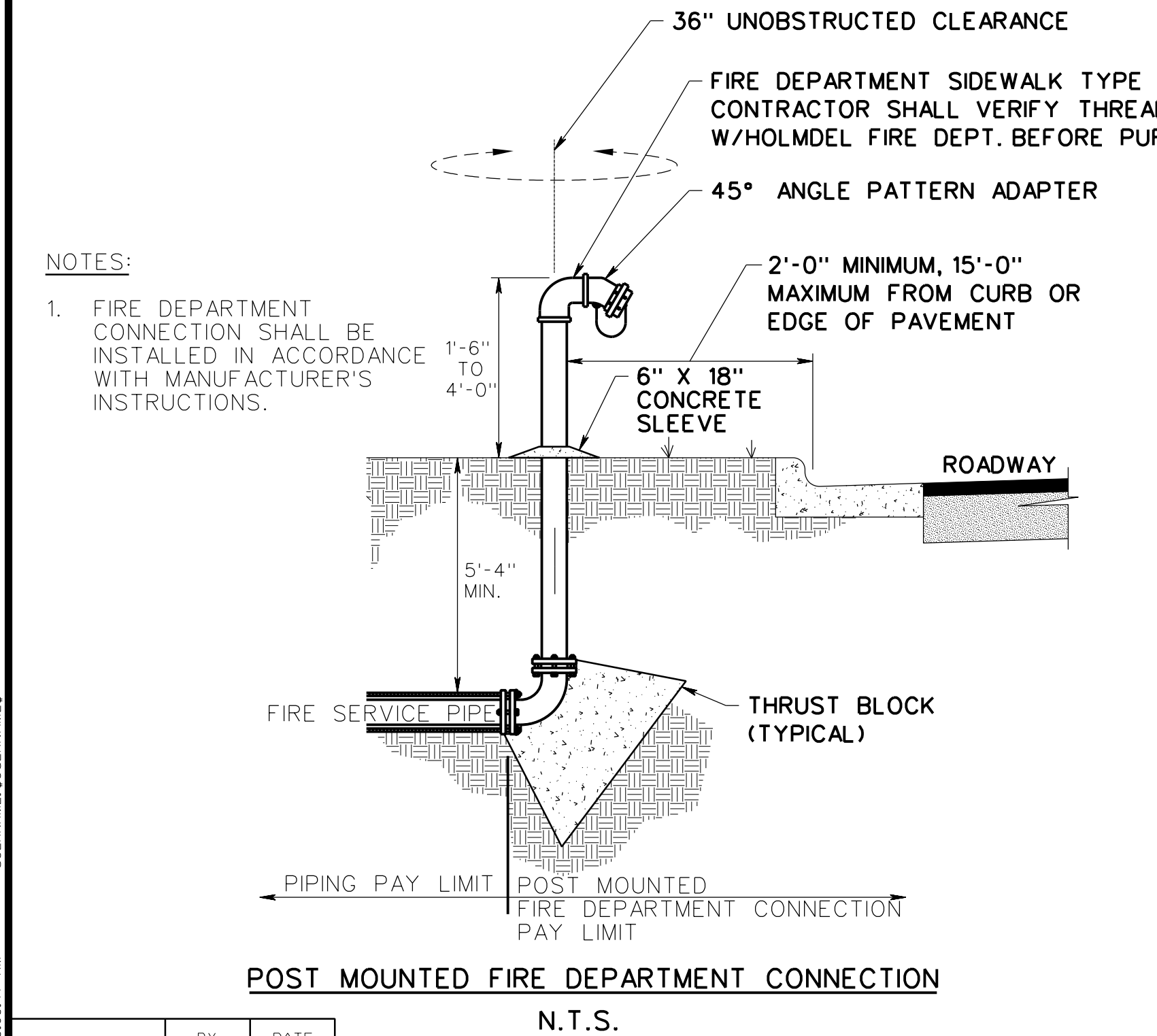


YARD HYDRANT ASSEMBLY
N.T.S.

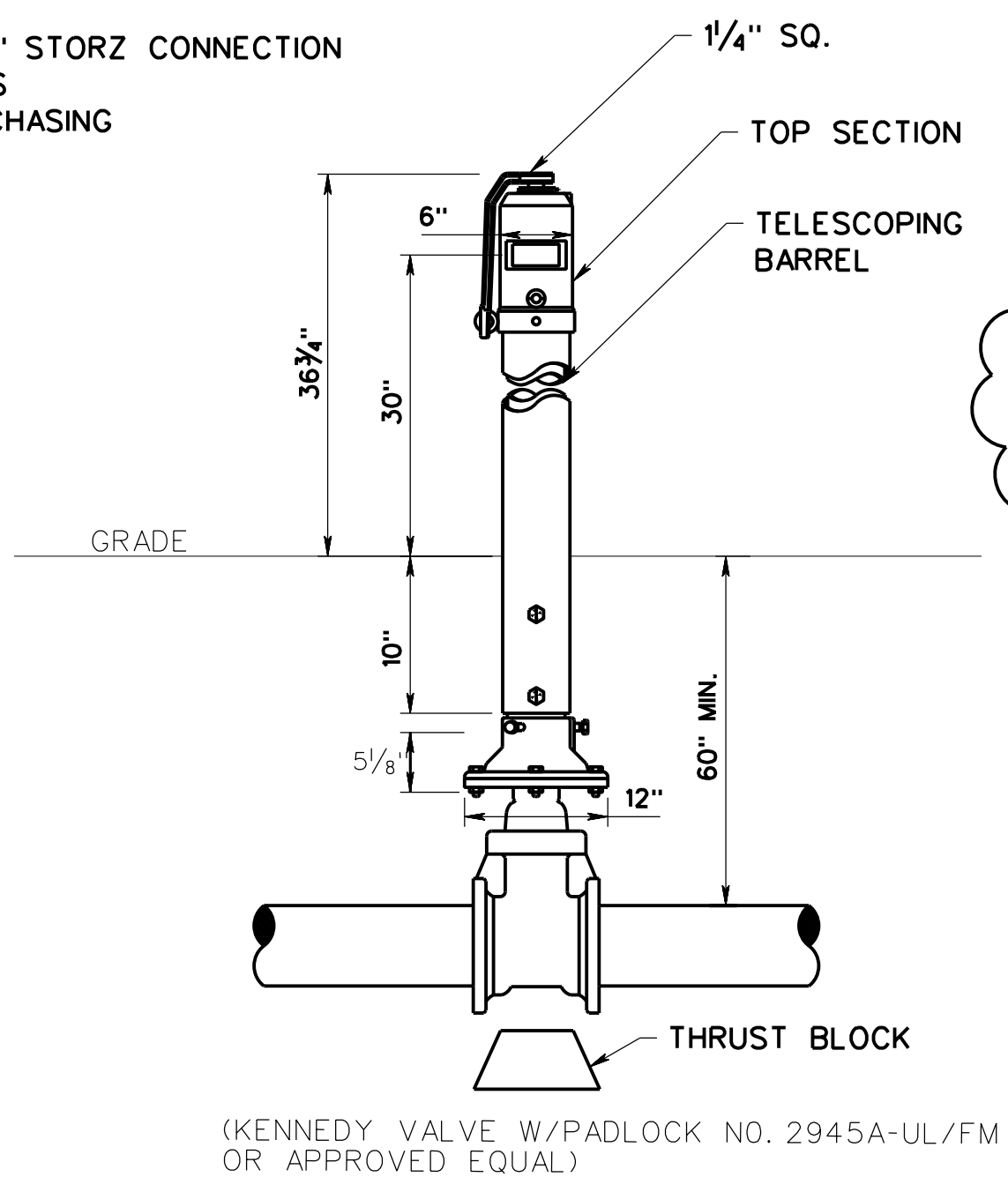
- NOTES:
1. YARD HYDRANT SHALL BE SELF DRAINING, NON FREEZING MODEL Y34 MANUFACTURED BY WOODFORD OR APPROVED EQUAL.
 2. INLET AND OUTLET CONNECTIONS SHALL BE NPT.
 3. HYDRANTS SHALL BE SET IN 4 CUBIC FEET OF CRUSHED STONE TO ALLOW FOR PROPER DRAINAGE OF HYDRANT.
 4. INSTALLATION COSTS SHALL BE PAID UNIT COST ITEM FOR "YARD HYDRANTS"



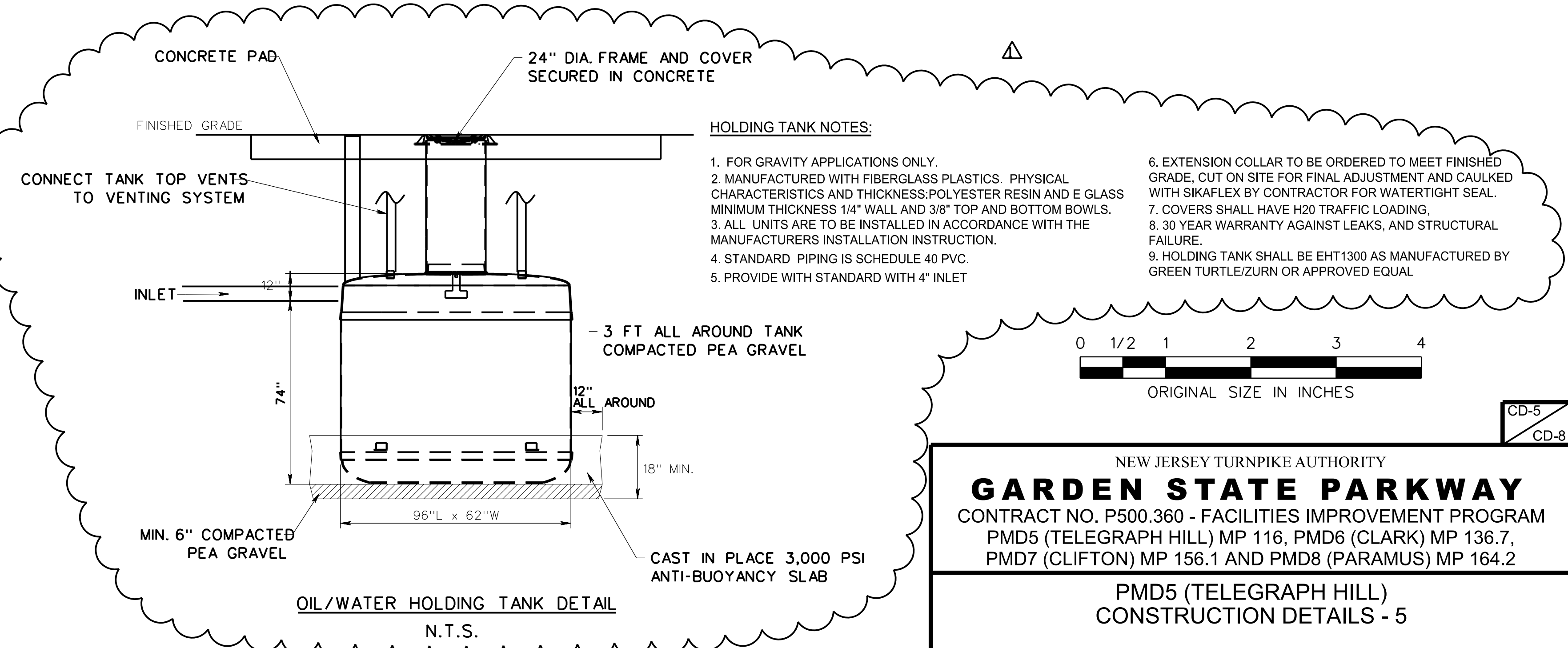
JCP&L TRANSFORMER PAD DETAIL
N.T.S.



POST MOUNTED FIRE DEPARTMENT CONNECTION
N.T.S.



POST INDICATOR VALVE
N.T.S.



OIL/WATER HOLDING TANK DETAIL
N.T.S.

DESIGNED BY:	BY	DATE
LIG	LIG	1/2015
DRAWN BY:	LIG	1/2015
CHECKED BY:	WHF	1/2015
SUPERVISOR:	J.KEIL	

REV.	DESCRIPTION	DATE	BY	CHK.
1	COP*2	5/2/16	LIG	WHF

CHURCHILL CONSULTING ENGINEERS
 344 NORTH ROUTE 73, SUITE A, BERLIN, NJ 08009
Joseph E. Keil
JOSEPH E. KEIL, P.E.
 NEW JERSEY PROFESSIONAL ENGINEER LICENSE NO. 24GE03605600

NEW JERSEY TURNPIKE AUTHORITY
GARDEN STATE PARKWAY
 CONTRACT NO. P500.360 - FACILITIES IMPROVEMENT PROGRAM
 PMD5 (TELEGRAPH HILL) MP 116, PMD6 (CLARK) MP 136.7,
 PMD7 (CLIFTON) MP 156.1 AND PMD8 (PARAMUS) MP 164.2
PMD5 (TELEGRAPH HILL)
CONSTRUCTION DETAILS - 5

T.Y. LIN INTERNATIONAL
 3379 QUAKERBRIDGE ROAD, SUITE 200
 HAMILTON, NJ 08619
 CERTIFICATE OF AUTHORIZATION NO. 24GA27976000
James S. Lester
JAMES S. LESTER
 NEW JERSEY PROFESSIONAL ENGINEER LICENSE NO. 24GE03346000

SCALE: AS SHOWN
 DATE: MAY 2015

CD-5
 CD-8
 29
 679