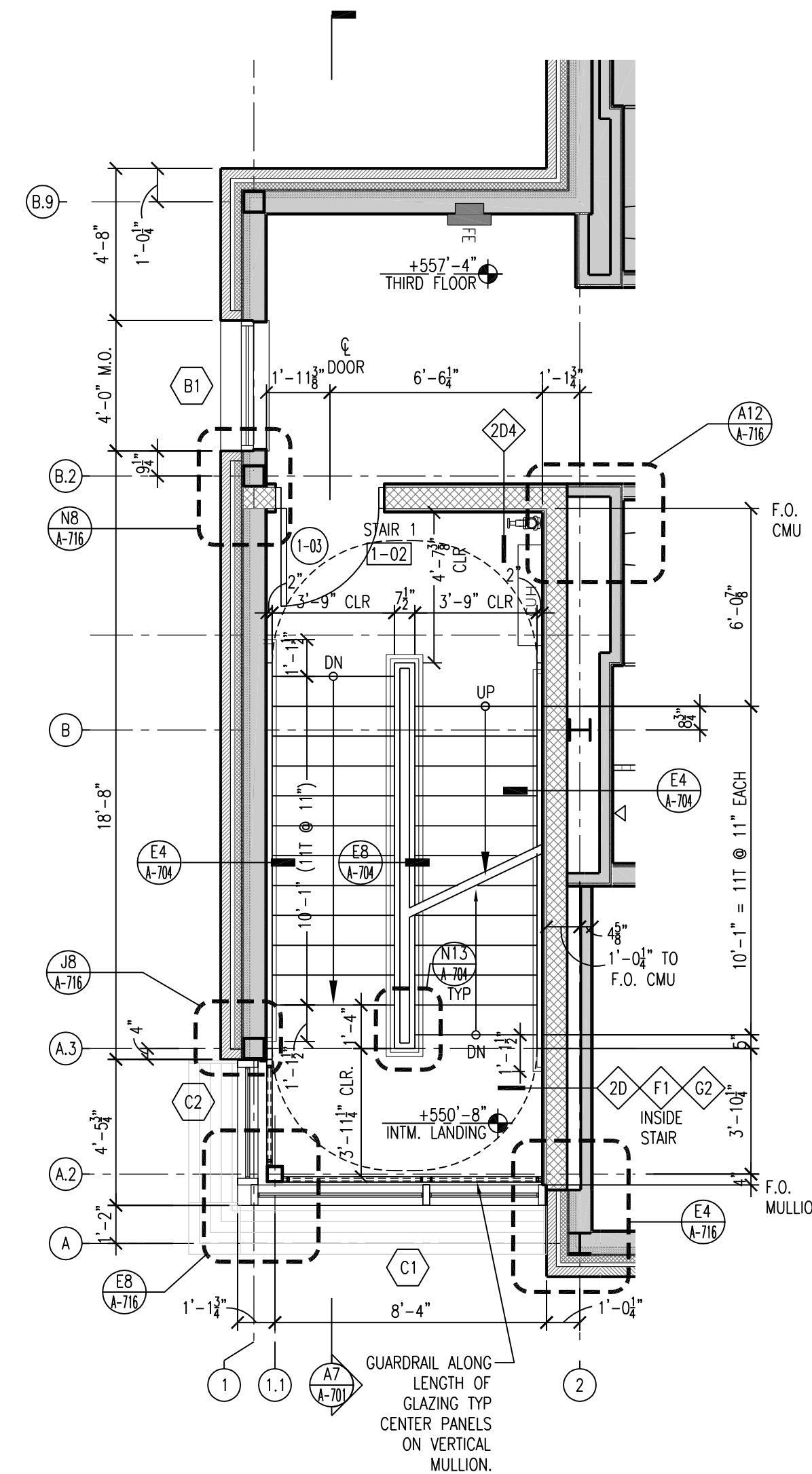


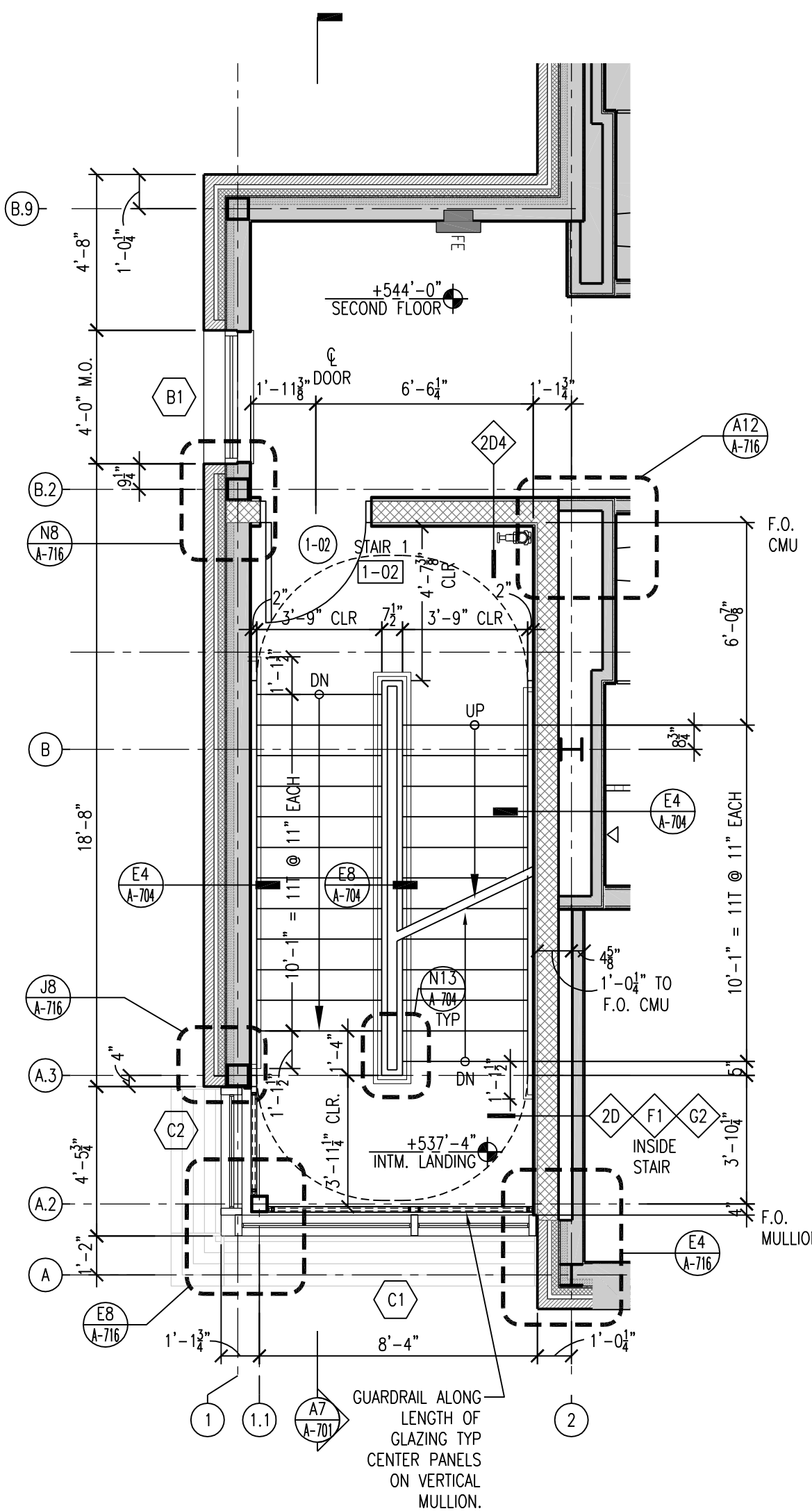
J20 STAIR 1 - FOURTH FLOOR PLAN

SCALE: 1/4" = 1'-0"



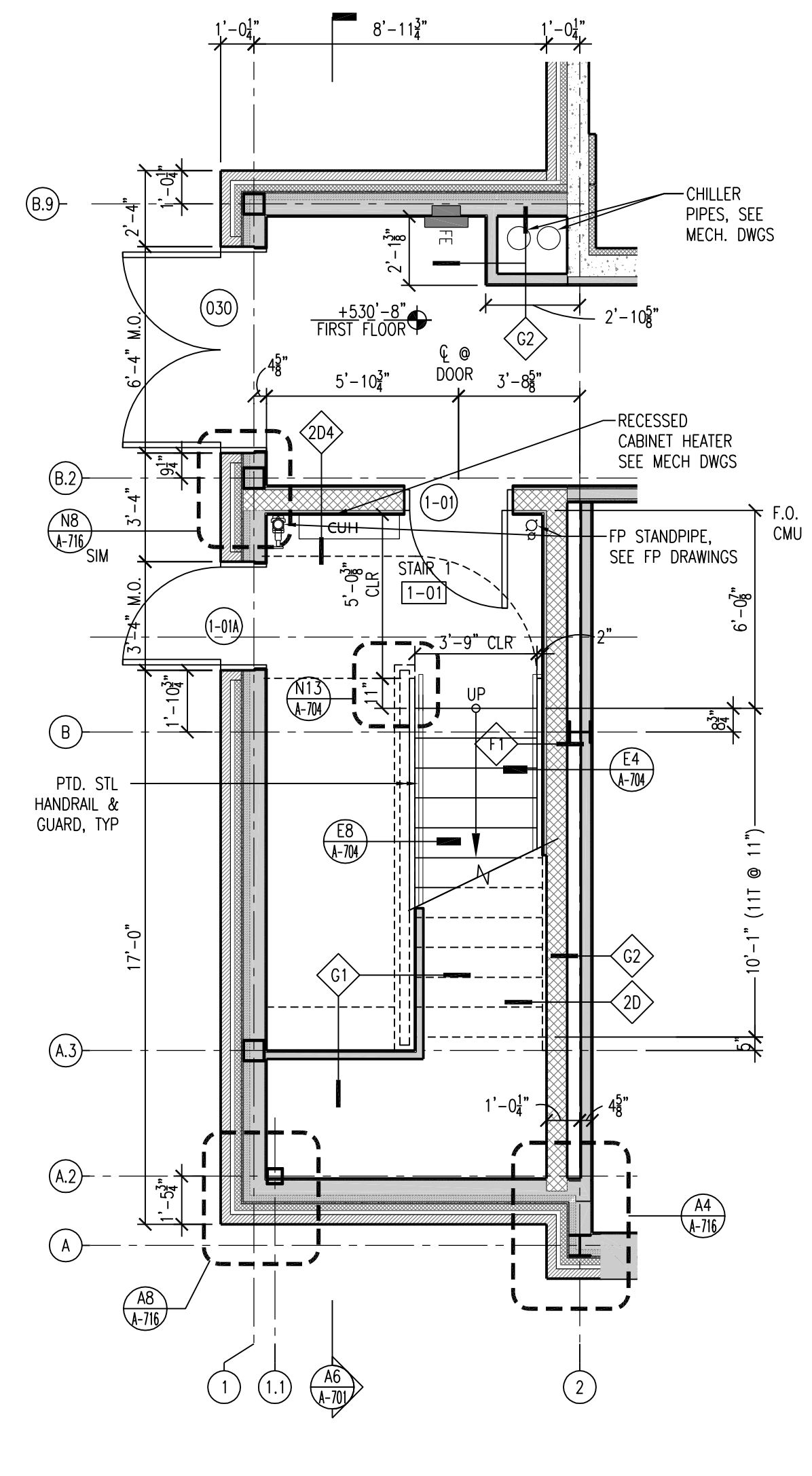
J16 STAIR 1 - THIRD FLOOR PLAN

SCALE: 1/4" = 1'-0"



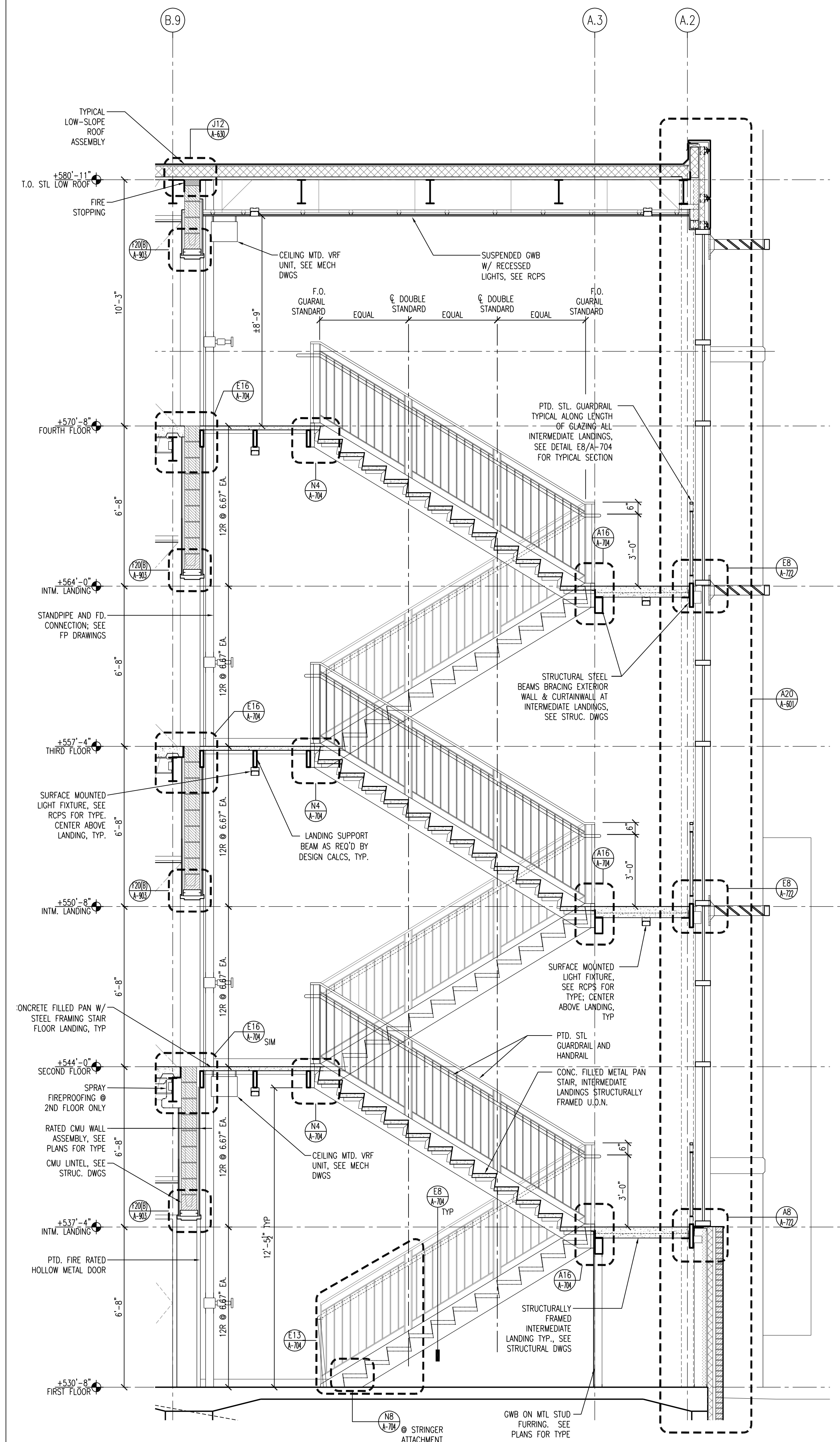
A20 STAIR 1 - SECOND FLOOR PLAN

SCALE: 1/4" = 1'-0"



A16 STAIR 1 - FIRST FLOOR PLAN

SCALE: 1/4" = 1'-0"



A7 STAIR 1 - SECTION

SCALE: 3/8" = 1'-0"

Clarke Catton Hintz
 Architecture
 Planning
 Landscape Architecture
 100 Barrack Street, Trenton, NJ 08628
 Tel: (609) 883-8383, Fax: (609) 883-8044
 www.clarkecattonhintz.com
 Drawing Copyright ©2016 Clarke Catton Hintz, PC

OWNER: WILLIAM PATTERSON UNIVERSITY
 300 POMPTON RD.
 WARREN, NJ 07070
 (973) 729-2000

SITE / CIVIL / GEOTECHNICAL:
 LANGAN
 300 KIMBALL DRIVE
 PARSIPpany, NJ 07054
 (973) 560-4900

STRUCTURAL:
 HARRISON & HAMNETT
 40 KNOWLES STREET
 PENNINGTON, NJ 08634
 (609) 818-1808

MECHANICAL/ELECTRICAL/PLUMBING:
 FIRE PROTECTION
 PARTNER ENGINEERING AND SCIENCE, INC.
 611 INDUSTRIAL WAY WEST
 EATONTOWN, NJ 07724
 (732) 389-1700

AV/IT & SECURITY
 R.G. VANDERWEL ENGINEERS, LLP
 101 GROVERS MILL ROAD
 QUAKERTOWN EXECUTIVE CENTER
 LAWRENCEVILLE, NJ 08648
 (609) 609.786.2727

NO.	DATE	DESCRIPTION
1	07/14/17	CONSTRUCTION DOCUMENTS
2	08/07/17	FINAL CONSTR. DOCUMENTS

REVISIONS
1A AS NOTED CONSTR. DOC. REVISIONS
2A AS NOTED ADDENDUM 1
2B 08/24/17 ADDENDUM 2
2C 08/31/17 ADDENDUM 3
2D 09/08/17 ADDENDUM 6

ARCHITECT
 NO. LICENSE NO. 2140130020

 DATE: 08/07/2017

**WILLIAM PATTERSON UNIVERSITY
 NEW RESIDENCE HALL**
 WAYNE, NEW JERSEY

CONSTRUCTION DOCUMENTS
 (ISSUED FOR CONSTRUCTION)

DATE: 2017.08.07
 SCALE: AS NOTED
 DRAWN BY:
 CHECKED BY:

SHEET TITLE:
STAIR 1 - PLANS AND SECTION

DRAWING NO.:
A-701

CCH PROJECT NO.: 1932