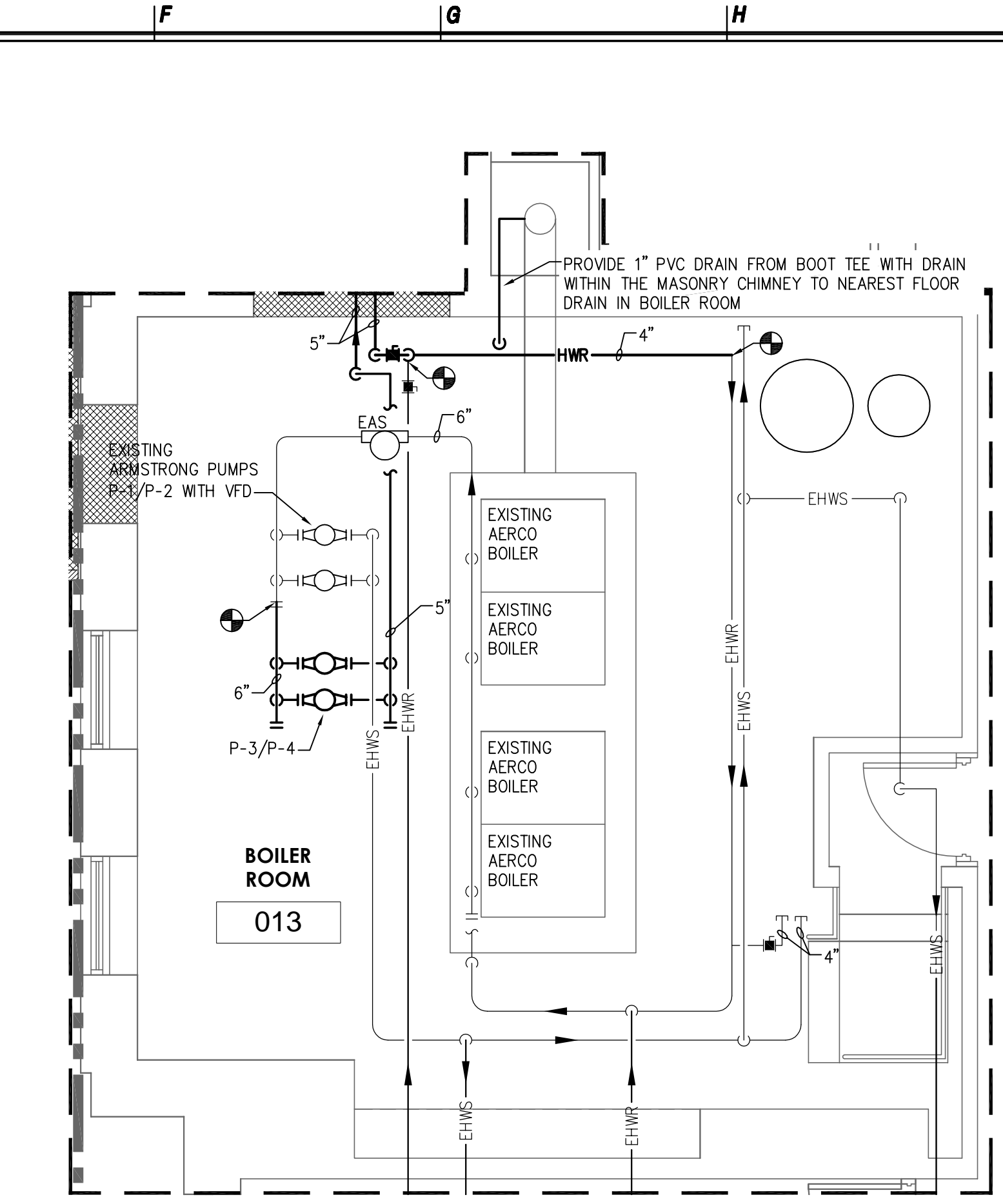
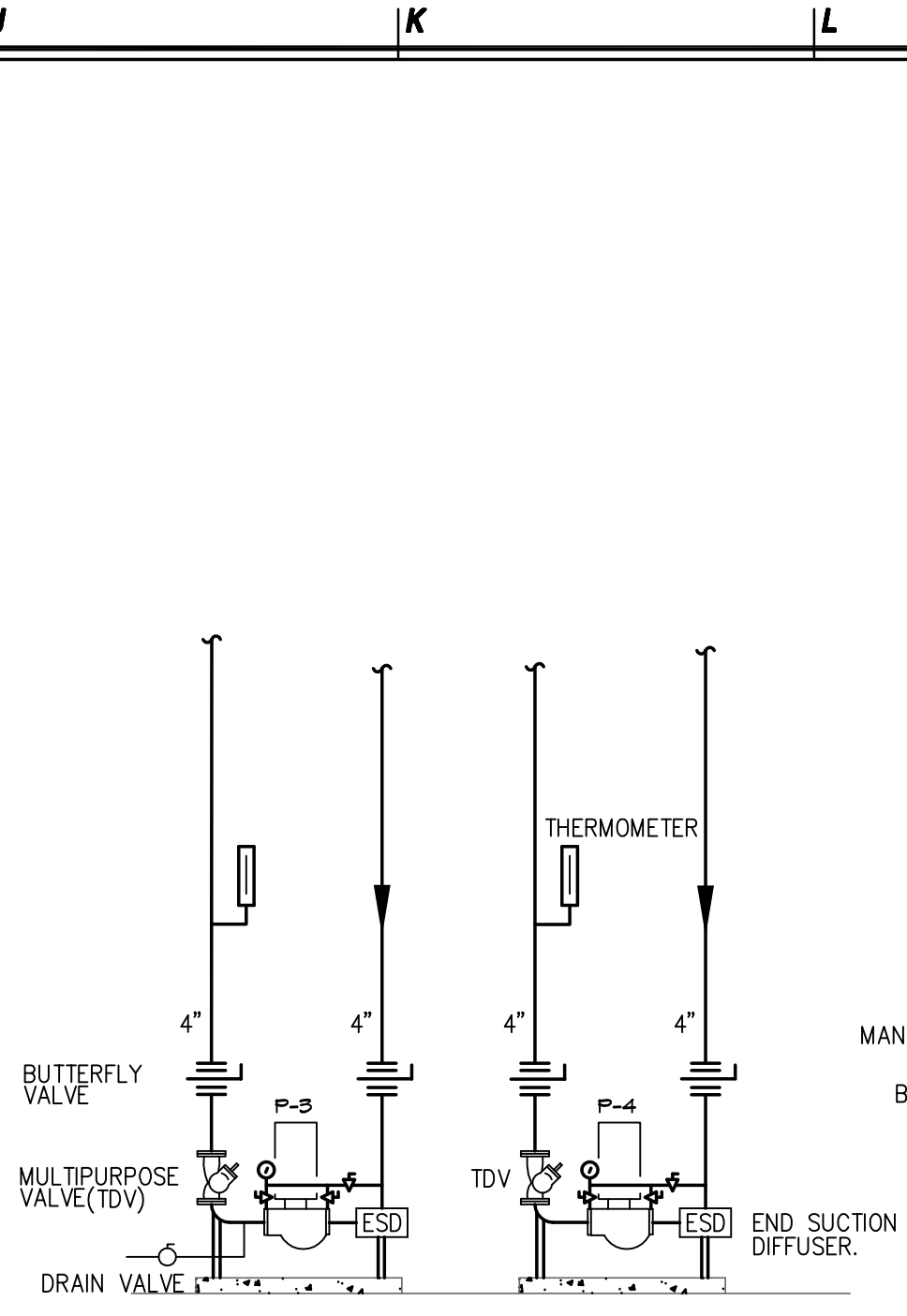


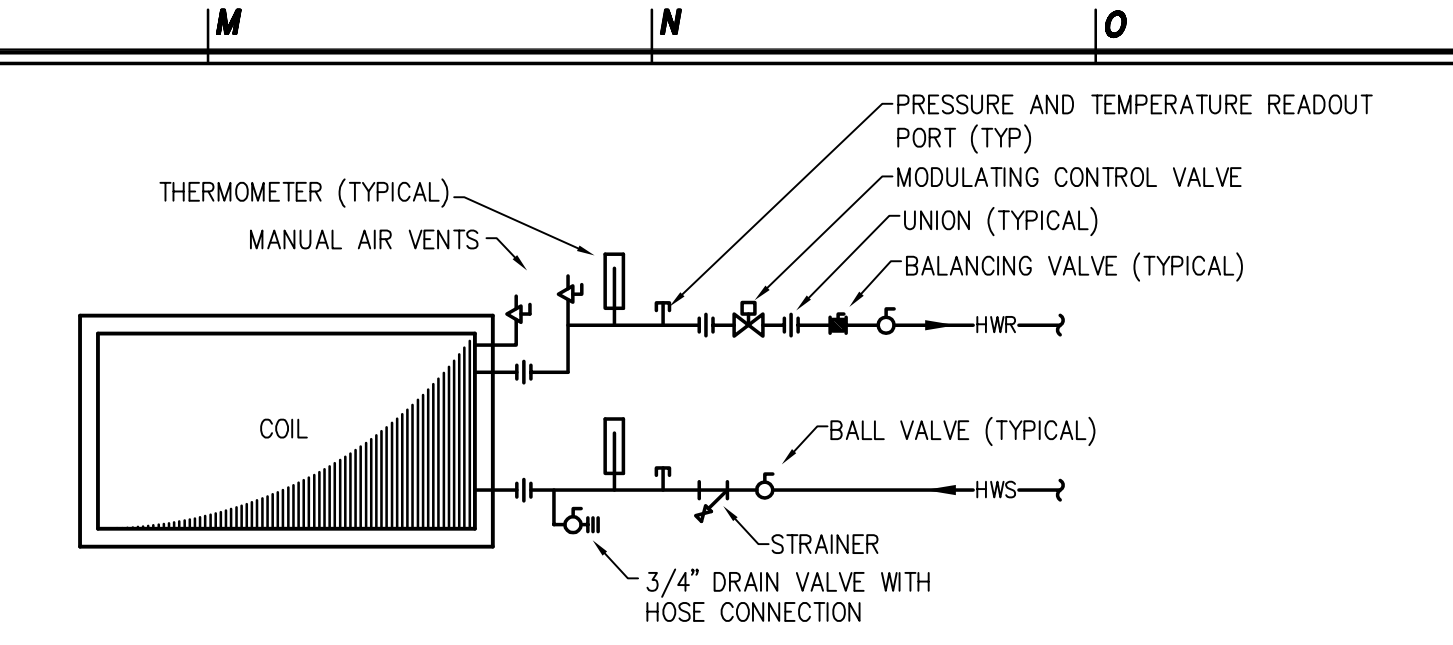
1 ENLARGED BOILER ROOM REMOVALS PLAN
H4.01 1/4" = 1'-0"



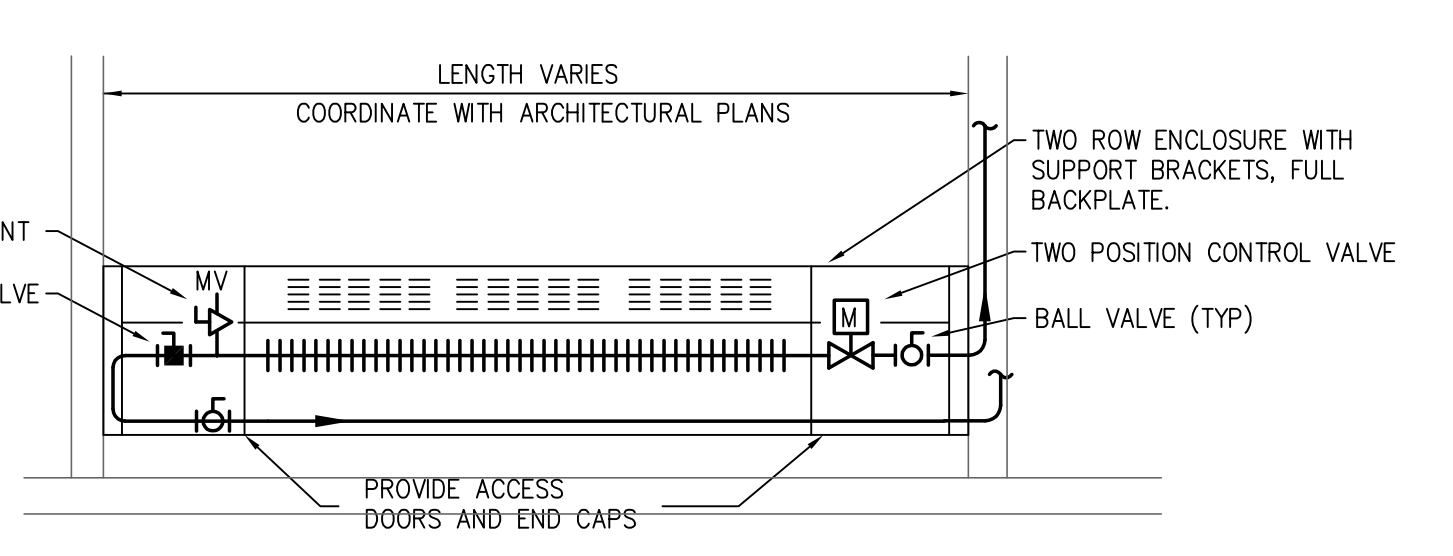
2 ENLARGED BOILER ROOM PLAN
H4.01 1/4" = 1'-0"



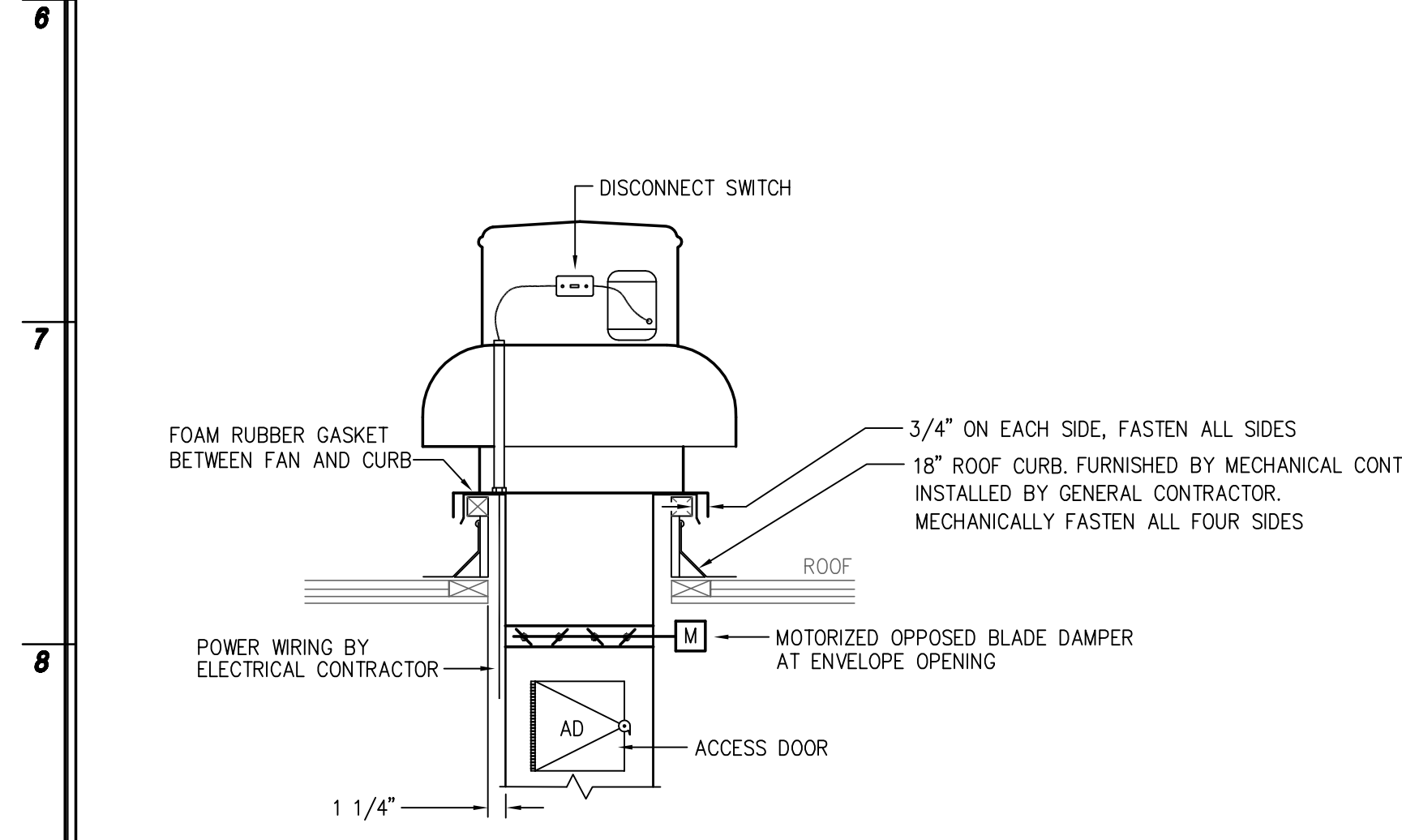
3 IN LINE PUMP DETAILS
H4.01 SCALE: NTS



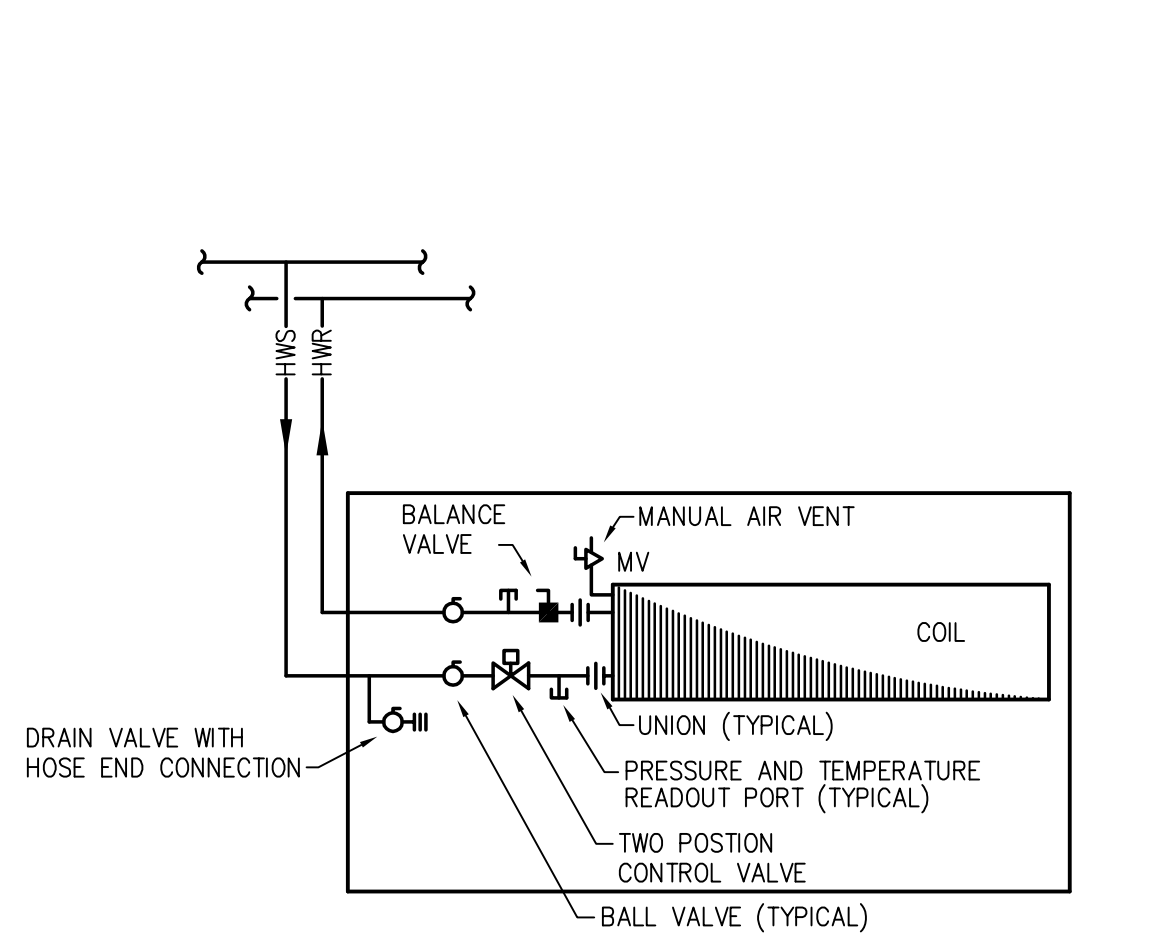
4 BLOWER COIL UNIT PIPING
H4.01 SCALE: NTS



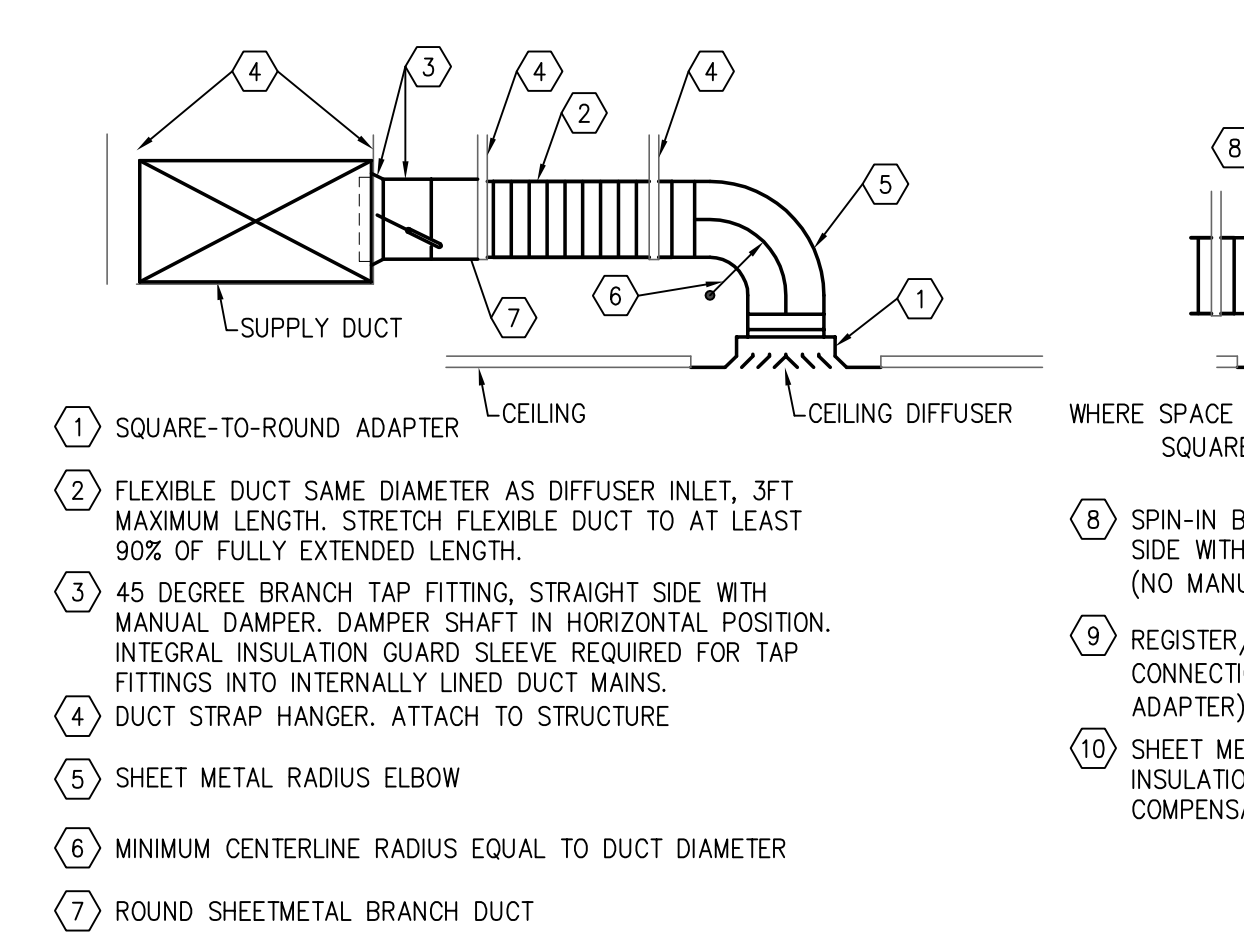
5 FINNED TUBE RADIATION
H4.01 SCALE: NTS



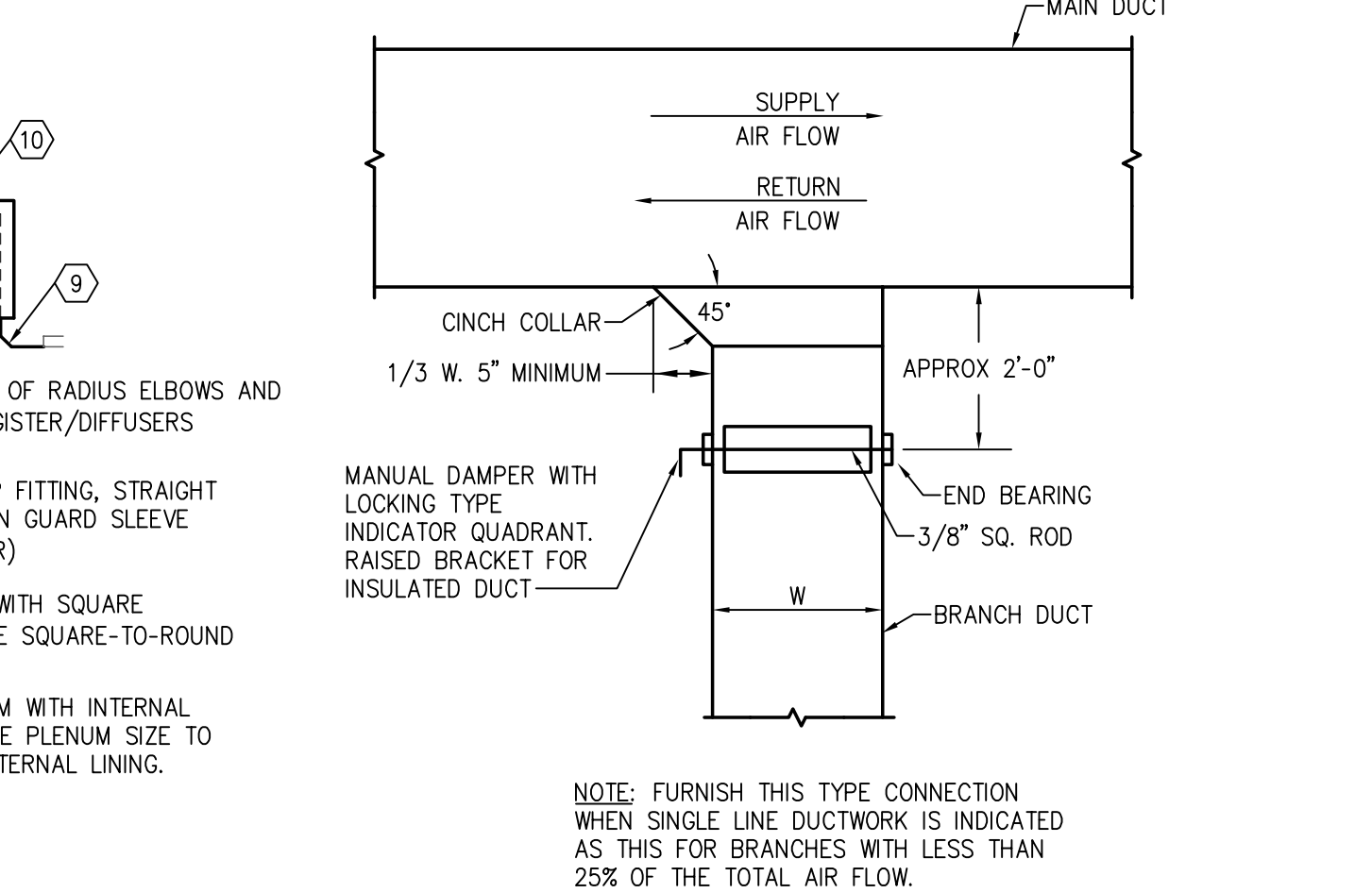
6 ROOF EXHAUST FAN DETAIL
H4.01 SCALE: NTS



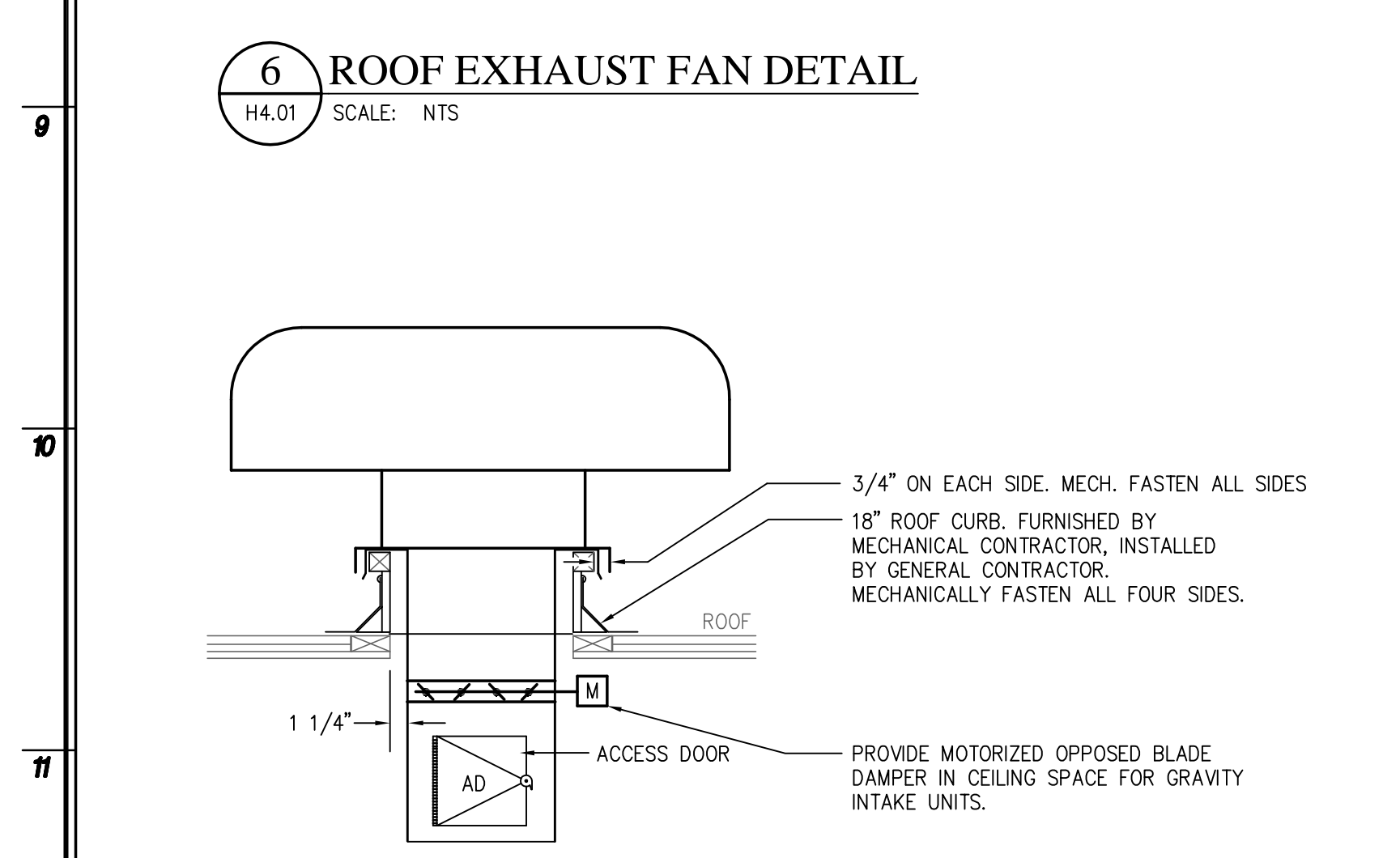
7 CABINET HEATER/UNIT VENTILATOR
H4.01 SCALE: NTS



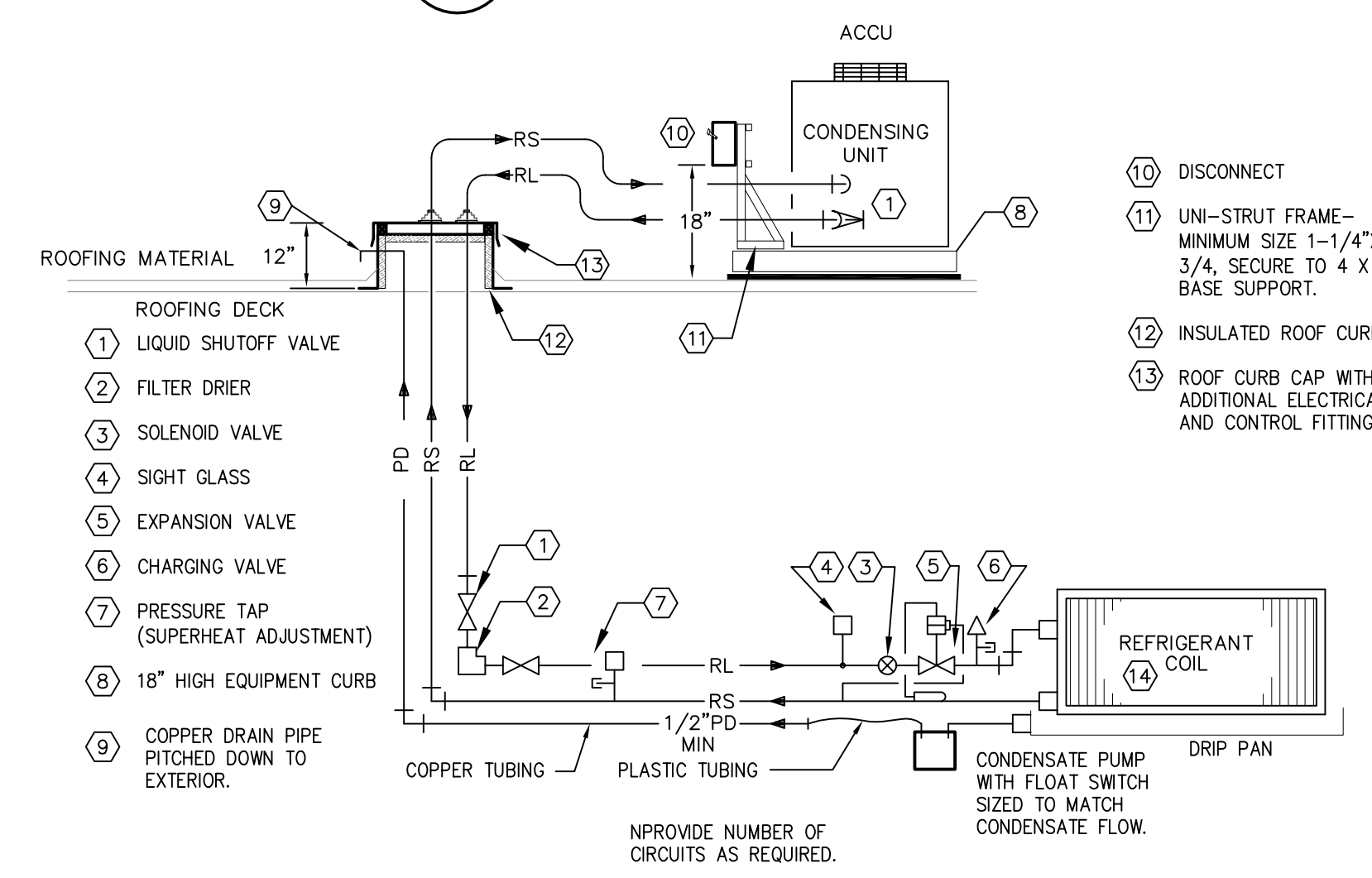
8 CEILING DIFFUSER CONNECTION
H4.01 SCALE: NTS



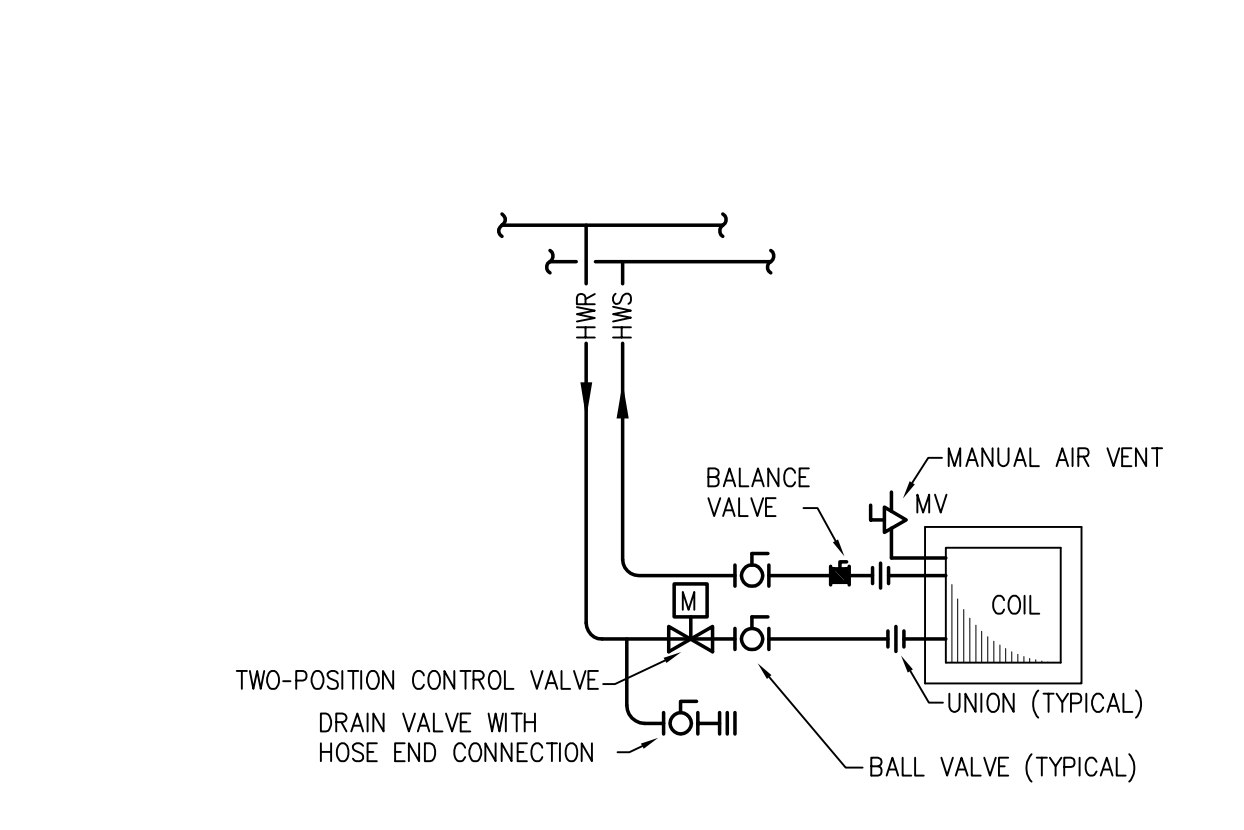
9 RECTANGULAR DUCT WITH VOLUME DAMPER
H4.01 SCALE: NTS



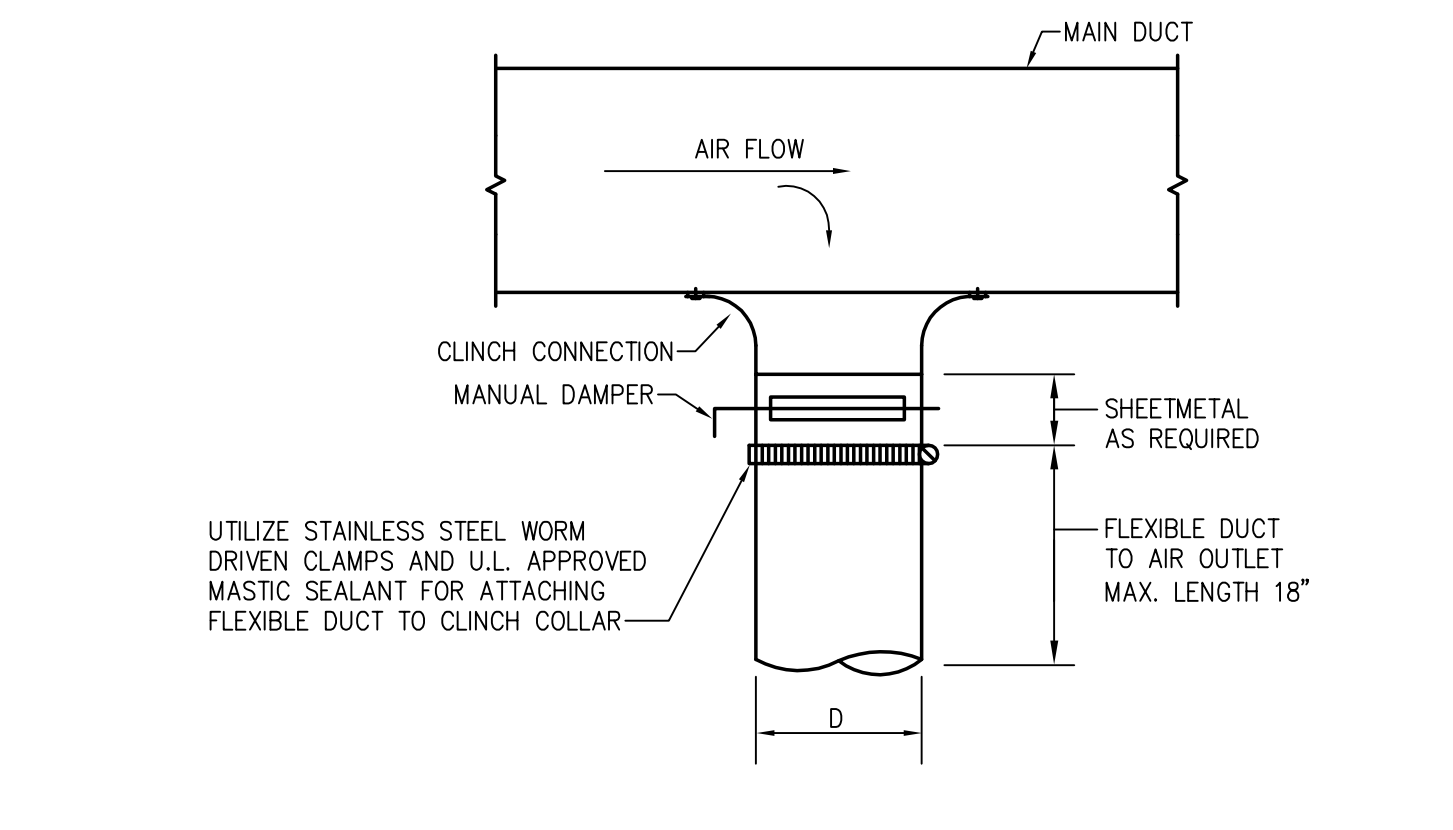
10 GRAVITY INTAKE HOOD BOILER ROOM INTAKE
H4.01 SCALE: NTS



11 SPLIT SYSTEM PIPING SCHEMATIC, TYPICAL
H4.01 SCALE: NTS



12 UNIT HEATER PIPING
H4.01 SCALE: NTS



13 CIRCULAR BRANCH CONNECTION TO SINGLE AIR OUTLET
H4.01 SCALE: NTS

NJ Certificate of Authorization	
Engr. No.	24627837500
Arch. No.	21AC00912400
Date	01/15/2018
Checked	
Drawn	

KENNETH H. KARLE, R.A.
REGISTERED ARCHITECT
License No. NJ21A0090600

Revisions:

No.	Description

LAN ASSOCIATES
engineering • planning • architecture • surveying
445 GODWIN AVENUE, MIDLAND PARK, N.J. 07432 (201)447-6400

HVAC ENLARGED PLANS
ADDITION TO WOODBRIDGE MIDDLE SCHOOL
WOODBRIDGE BOE
525 BARRON AVENUE
WOODBRIDGE, NJ 07095

Job No. 2.20211.07
File No. -

H4.01