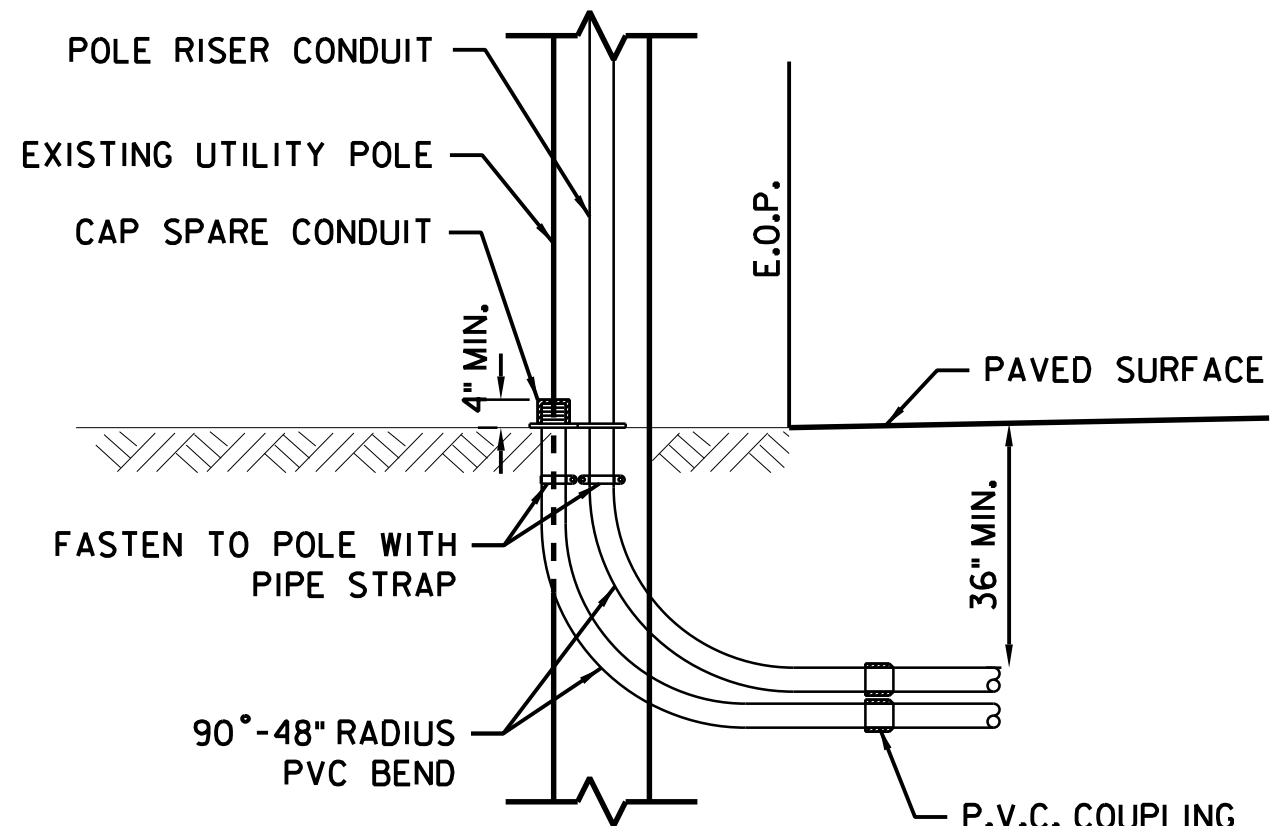
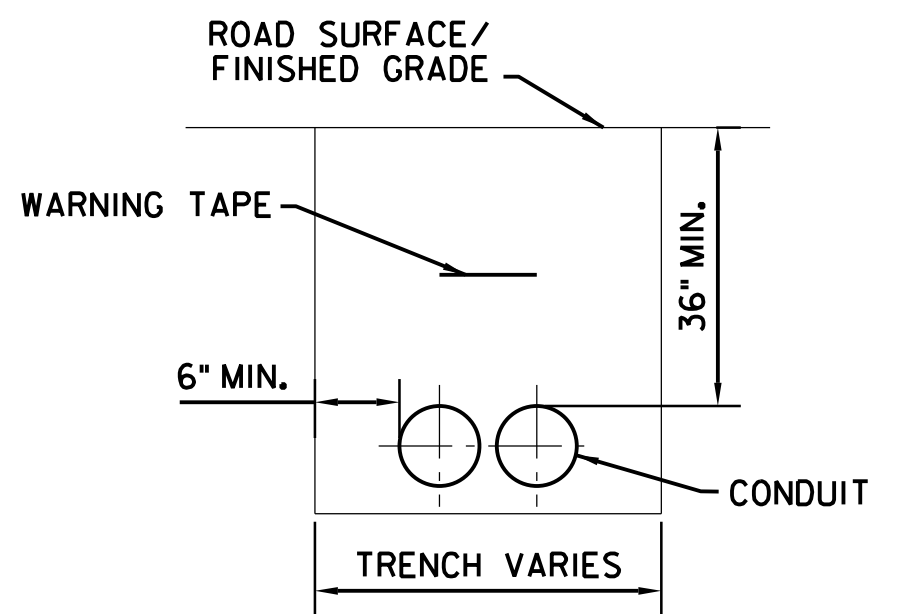


- NOTES:**
- SEE SHEET M-2 FOR BUILDING GAS PIPE ROUTING.
 - SEE SHEET E-2 FOR BUILDING ELECTRICAL CONDUIT ROUTING.
 - FIBER OPTIC CABLE WITHIN CONDUIT TO BE INSTALLED BY G4S. CONTRACTOR TO BRING CONDUITS INTO JUNCTION BOXES AND THE CONTRACTOR SHALL MAKE ALL CABLE CONNECTIONS TO NEW AND EXISTING FACILITIES.
 - ELECTRIC COMPANY WILL MAKE CONNECTION AT UTILITY POLE. CONTRACTOR SHALL PROVIDE 10 FT OF COILED CABLES AT TOP OF RISER FOR ELECTRIC COMPANY USE.



- NOTES:**
- INSTALL STAND-OFF BRACKETS FOR RISER INSTALLATION AS REQUIRED BY POLE AND UTILITY COMPANY.
 - ATTACH RISERS TO THE BACK (AWAY FROM TRAFFIC) OF THE EXISTING POLES.



- NOTES:**
- TRENCHES IN PAVED AREAS SHALL BE PAVED IN ACCORDANCE WITH PAVING DETAIL ON SHEET C-1. TRENCHES IN UNPAVED AREAS SHALL BE CAPPED WITH 4 INCHES OF TOPSOIL.
 - TRENCH TO BE BACKFILLED WITH EXCAVATED MATERIAL. IF EXCAVATED MATERIAL IS UNSUITABLE, SELECT BACKFILL MATERIAL SHALL BE IMPORTED. BACKFILL SHALL BE PERFORMED IN 6" LIFTS COMPACTED TO A MINIMUM 95% STANDARD PROCTOR DENSITY.

DESIGNED BY:	LIG	8/2014
DRAWN BY:	LIG	8/2014
CHECKED BY:	WHF	8/2014
SUPERVISOR:	JEK	

UTILITY POLE RISER DETAIL
N.T.S.

DUCT BANK DETAIL
N.T.S.

REV.	DESCRIPTION	DATE	BY	CHK.
AS-BUILT		11/18/15	LIG	CM
ADDENDUM NO. 1		12/29/2014	LIG	WHF

CHURCHILL CONSULTING ENGINEERS
344 NORTH ROUTE 73, SUITE A, BERLIN, NJ 08009
Joseph E. Keil
JOSEPH E. KEIL, P.E.
NEW JERSEY PROFESSIONAL ENGINEER LICENSE NO. 24GE03065600

NEW JERSEY TURNPIKE AUTHORITY
NEW JERSEY TURNPIKE GARDEN STATE PARKWAY
CONTRACT NO. A500.353
STORAGE BUILDING
AT PARKWAY DISTRICT 5

UTILITY PLAN

T.Y. LIN INTERNATIONAL
3379 QUAKERBRIDGE ROAD, SUITE 200
HAMILTON, NJ 08619
CERTIFICATE OF AUTHORIZATION NO. 24GA27976000
James S. Lester
JAMES S. LESTER
NEW JERSEY PROFESSIONAL ENGINEER LICENSE NO. 24GE03346000

SCALE: 1"=20'
DATE: JUNE 2015

FILE NAME: A500_353_AB_0006.sht

UP-1
UP-1