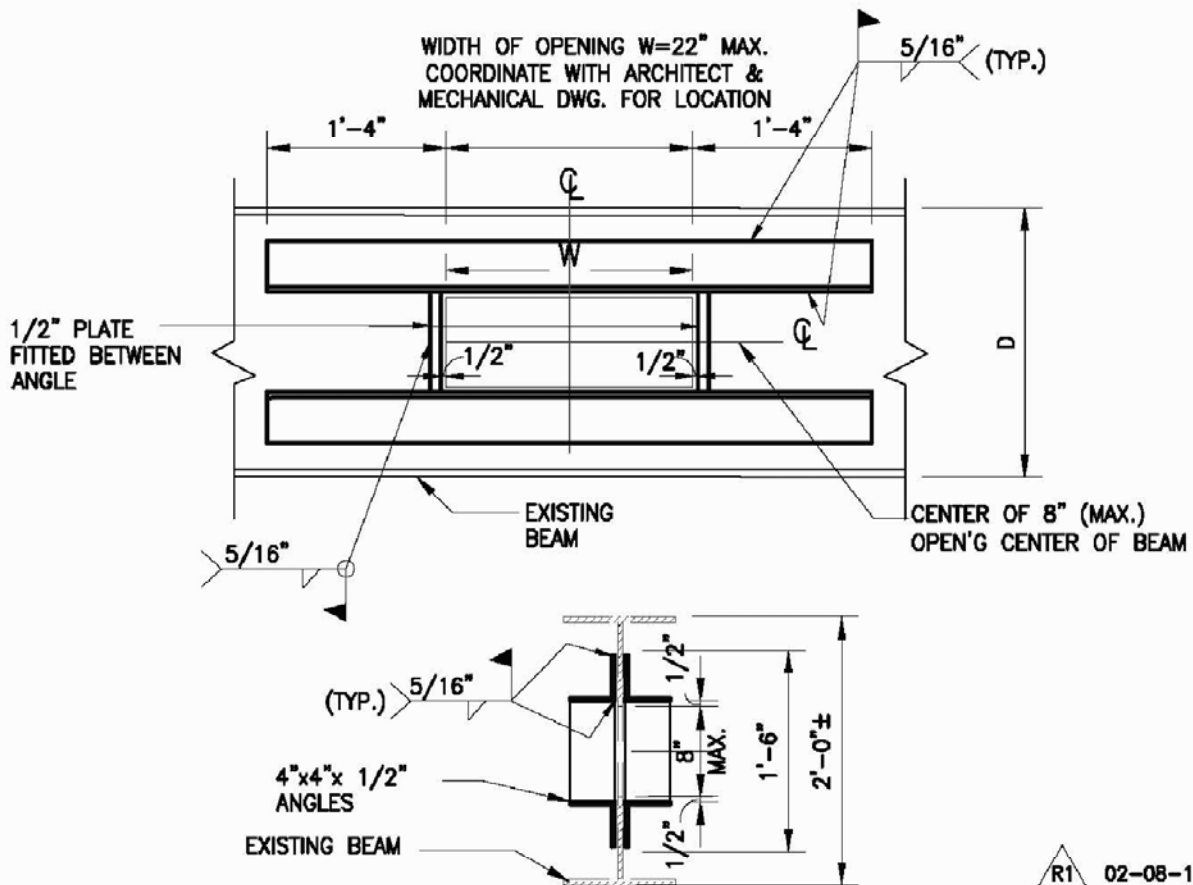


**PART LOW ROOF FRAMING PLAN**



**(WELDED) BEAM REINFORCING DETAIL**

R1 02-08-17

**CEC** CONSULTING ENGINEERS  
COLLABORATIVE, INC.

730 BOULEVARD • KENILWORTH, NJ 07033  
908-298-1600 • 908-298-0702 FAX

UCC FIRST FLOOR & LOWER LEVEL RENOVATION  
12 WEST JERSEY ST. ELIZABETH, NEW JERSEY

TITLE **(WELDED) DETAIL FOR BEAM PENETRATION**

DRAWING #

**SK-S5**  
**R1**

DRAWN  
TK

CHECKED  
TK

DATE  
10-03-16

CEC 14102 S-001

WELDED REINFORCEMENT FOR BEAM PENETRATION

TMG REF DWG : 108813\_S\_Sketchbase.dwg

UNION COUNTY COLLEGE  
LESSNER FIRST FLOOR ADDITION &  
FIRST FLOOR & LOWER LEVEL  
REHABILITATION

12 WEST JERSEY STREET  
ELIZABETH, NJ 07202

2-8-17

Project # 108813

SCALE: N.T.S.

**SK-67**

191 Mill Lane Mountainside, NJ 07092 p. 908.232.2860 f. 908.232.2845