

**GENERAL NOTES**

**STRUCTURAL STEEL**

- All structural steel details shall be designed in accordance with the latest issue of the American Institute of Steel Construction (AISC), "Specification for Structural Steel Buildings - Allowable Stress Design and Plastic Design".
- Connections shall be designed to develop the full strength of the member over the required span. All shop connections are to be welded or bolted.
- Field connections shall be made by high strength bolts 3/4" minimum in diameter or welded as shown on drawings.
- High strength bolts shall be tightened to a bolt tension not less than the proof load given in ASTM A-325 Specifications.
- Welding shall be done in conformity with the latest code for Arc and Gas Welding in Building Construction of the American Welding Society. All welds shall develop the full strength of the material being welded, unless otherwise noted.
- All structural steel shall receive one shop coat of paint except contact surfaces, within 4 inches of field welds.
- All structural steel shall be accurately set and properly held in position with suitable temporary braces and stays until permanently secured. The building shall be true and plumb before connections may be finally welded or bolted.
- Anchor bolts, base plates, bearing plates and weld plates shall be located and built into connecting work, preset by templates or similar methods.
- Shop drawings of all structural steel shall be submitted to the Architect for approval.
- All pipe shapes shall be ASTM A53, Grade B, Fy = 35 KSI.
- All structural wide flange shapes to be ASTM A-392/ASTM, Grade 50.
- All steel plates, angles, channels are to be ASTM A-36 unless indicated otherwise.

**MISCELLANEOUS**

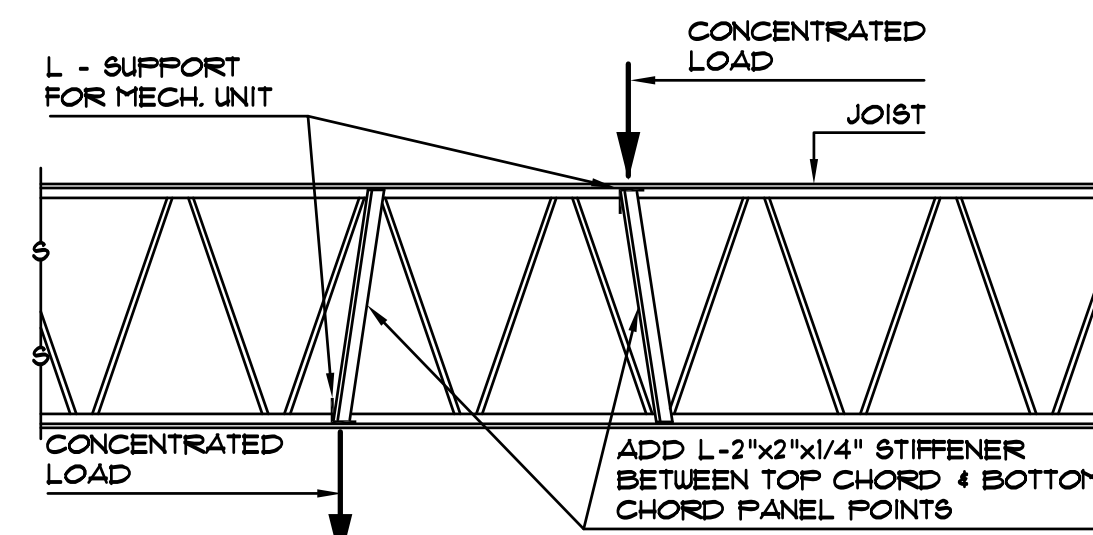
- Contractor shall verify all dimensions, sections and elevations on the job.
- Consult the Architectural, Mechanical and Electrical drawings for verification of location and dimensions of chases, inserts, openings, sleeves, washes, drips, reveals, depressions, equipment pads and other product requirements.
- Reproductions of contract documents are not acceptable as shop drawings and will be rejected.

**NOTES:**  
UNLESS OTHERWISE SPECIFIED ON DRAWINGS PROVIDE 4" INSTALL LINTELS FOR ALL SQUARE HEAD MASONRY OPENINGS IN ALL MASONRY WALLS IN ACCORDANCE WITH THE FOLLOWING SCHEDULES & COMMENTS.

LOOSE LINTEL SCHEDULE (FOR 4", 8", 12", & 16" WALLS)		
MASONRY OPENING	LINTEL SIZE	REMARKS
UP TO 4'-0"	L - 3 1/2" x 3 1/2" x 1/4"	
4'-1" TO 6'-0"	L - 5" x 3 1/2" x 5/16"	
6'-1" TO 8'-0"	L - 6" x 3 1/2" x 5/16"	
OVER 8'-0"	WB x 18 x 12	

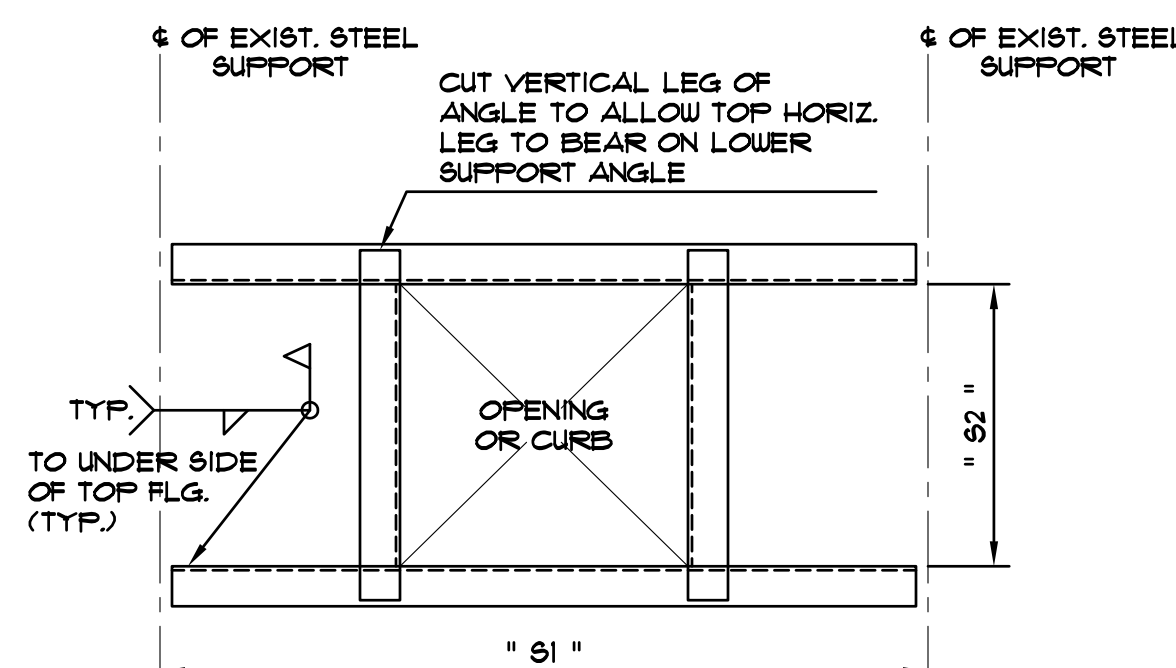
LOOSE LINTEL SCHEDULE (FOR 6" WALLS)		
MASONRY OPENING	LINTEL SIZE	REMARKS
2'-0" TO 6'-0"	WT 7 x 11	
6'-1" TO 8'-0"	WT 8 x 13	

- NOTES:**
- PROVIDE ONE (1) ANGLE FOR EACH 4" OF MASONRY WIDTH.
  - BEAR LINTELS 6" MINIMUM EACH SIDE OF OPENING.
  - ALL LINTELS IN EXTERIOR WALLS TO BE GALVANIZED.
  - WHERE OPENINGS LOCATED NEXT TO COLUMNS OR BEAMS, ATTACH TO STRUCTURAL STEEL, CONNECTION NOT TO PROTRUDE INTO OPENING.
  - CONSULT ARCHITECTURAL, MECHANICAL & ELECTRICAL DRAWINGS FOR OPENING SIZE & LOCATION.



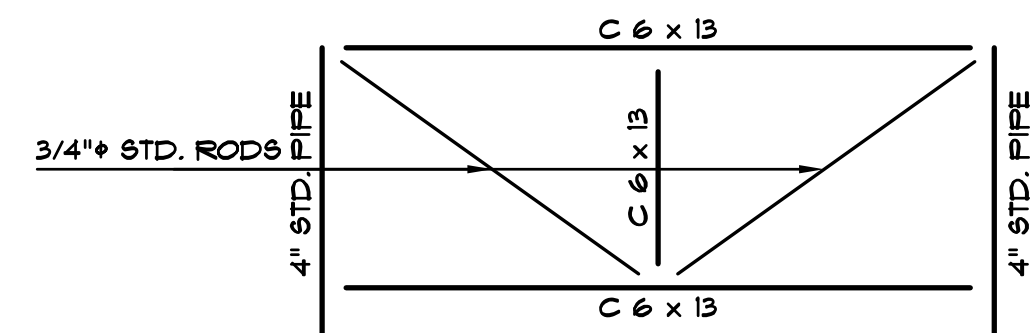
**NOTE:**  
SUPPORTING LOAD AT CONDENSERS, MECHANICAL UNITS AND ALL CONCENTRATED LOADS GREATER THAN 300 lbs. OMIT IF LOAD IS WITHIN 3" OF A PANEL POINT.

**TYPICAL DETAIL OF REINFD. JOIST**

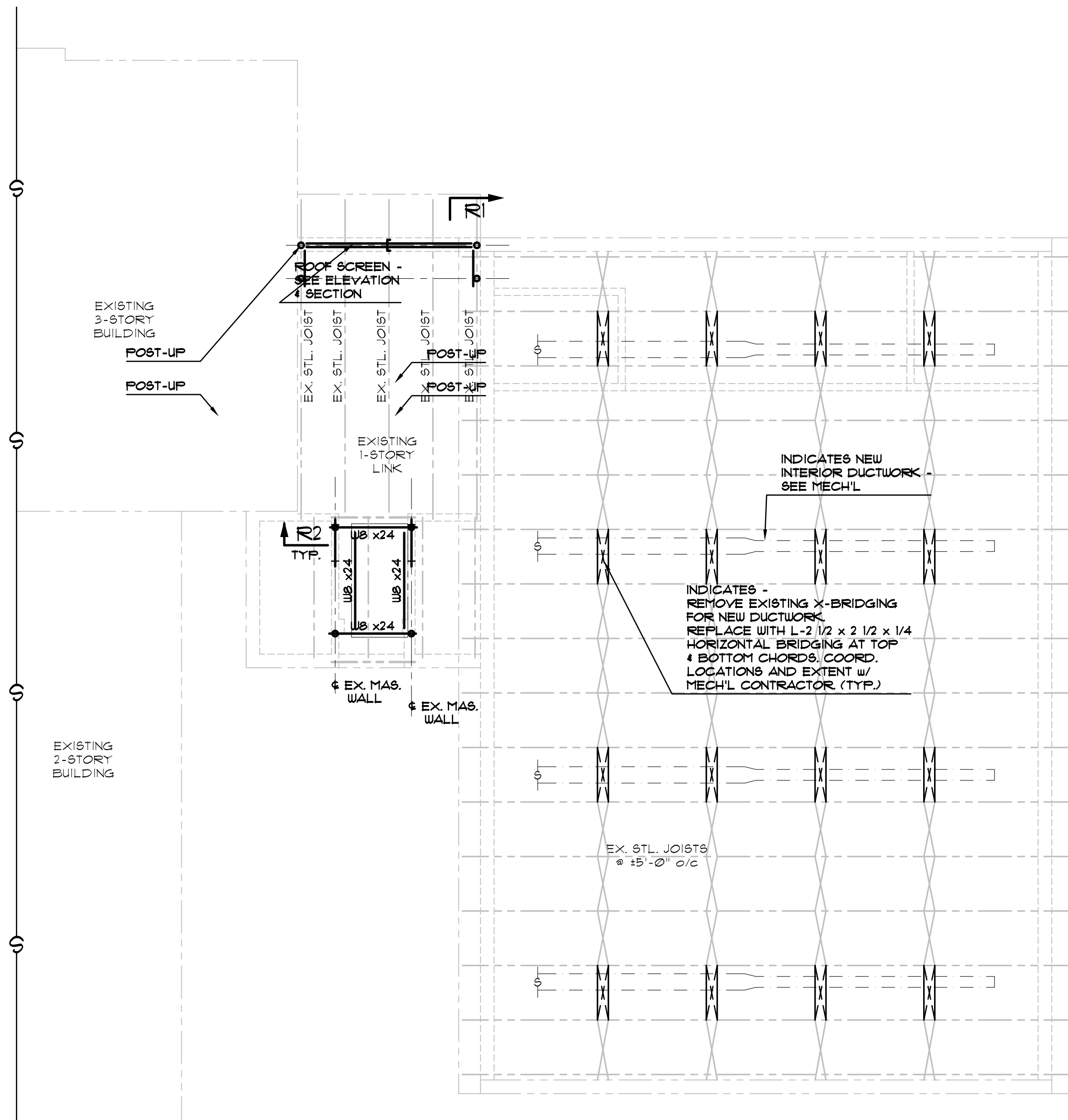


- NOTES:**
- FOR SIZE & LOCATION OF OPENINGS SEE ARCHITECTURAL & MECHANICAL DRAWINGS.
  - STEEL CONTRACTOR SHALL VERIFY ALL OPENINGS AND EXACT LOCATIONS WITH THE TRADE CONTRACTOR REQUIRING SAID OPENINGS PRIOR TO FABRICATION & ERECTION OF STEEL FRAMES.
  - PROVIDE STEEL FRAMES AS SHOWN AROUND ALL REQUIRED OPENINGS LARGER THAN 8" AT ROOF.
  - PROVIDE STEEL ANGLES ON ALL SIDES OF OPENINGS UNLESS BEAM IS SHOWN ON PLAN. ANGLE SIZES TO BE:  
FOR "8" OR "82" < 6'-6" L-4"x4"x3/16"  
FOR "8" OR "82" > 6'-6" L-6"x6"x3/8"
  - PROVIDE STEEL ANGLES ON ALL SIDES OF MECH'L CURBS UNLESS BEAM IS SHOWN ON PLAN. ANGLE SIZES TO BE L-6"x6"x3/8"
  - FOR SIZE & LOCATION OF MECH'L UNITS, SEE ARCH'L & MECH'L DRGS.

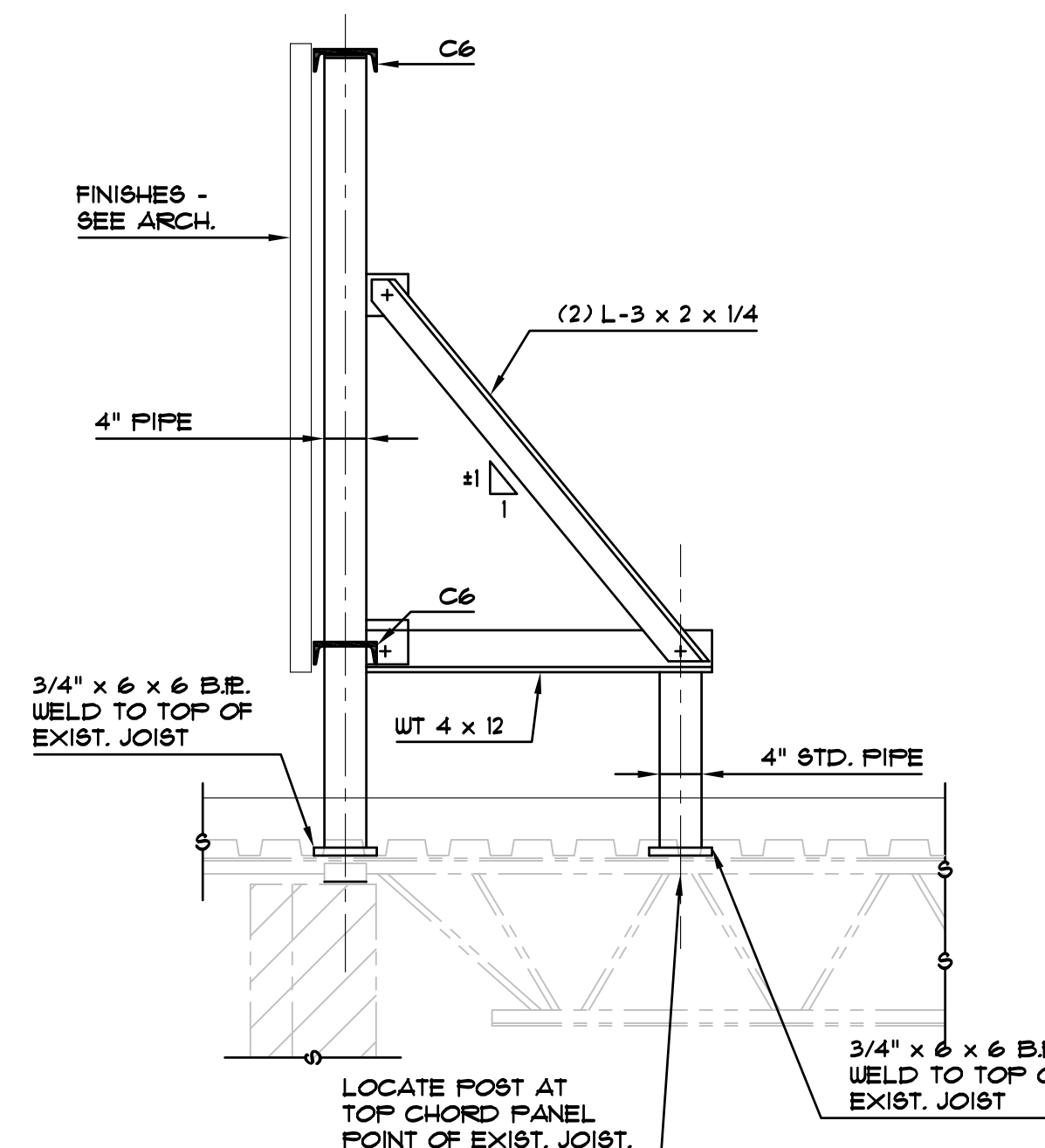
**TYPICAL OPNG. DETAIL @ EXIST'G. ROOF  
& UNDER MECH'L CURB**



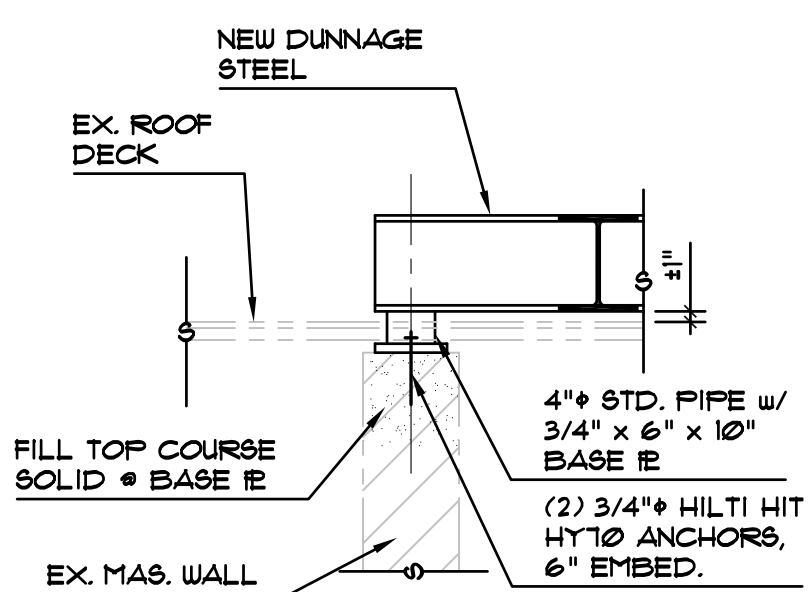
**ROOF SCREEN ELEVATION**  
1/4" = 1'-0"



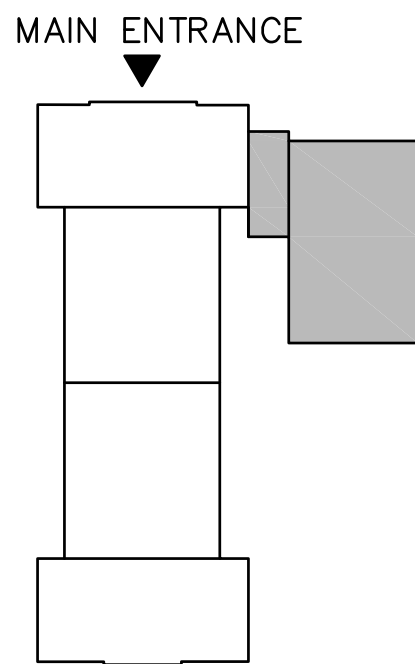
**PARTIAL EXISTING ROOF FRAMING PLAN**  
ALL EXPOSED STEEL TO BE HOT-DIPPED GALVANIZED.  
1/8" = 1'-0"



**SECTION - R1**  
3/4" = 1'-0"



**SECTION - R2**  
3/4" = 1'-0"



30 galesi drive  
wayne, nj 07470  
tel 973.256.0202 || fax 973.256.0227

MEMBERS OF THE AMERICAN INSTITUTE OF ARCHITECTS

GERMANO RUBINO, AIA NJ # AI 08084  
JOSEPH DI CARA, AIA NJ # AI 08265

NOT VALID FOR BUILDING UNLESS SIGNED AND SEALED BY ARCHITECT

X  
Board President of Schools

X  
Superintendent of Schools

**Harrison - Hamnett, P.C.**  
Consulting Engineers  
40 Knowles Street Pennington, New Jersey 08534  
Ph: 609-818-1808

MARK W. GAFFNEY, NJPE#24GB04284100 DATE

FACILITY UPGRADES AT:

**BELLEVILLE ELEMENTARY  
SCHOOL #4**  
30 MAGNOLIA STREET  
BELLEVILLE, NEW JERSEY 07109

BELLEVILLE PUBLIC SCHOOL DISTRICT,  
BOARD OF EDUCATION

FRAMING PLAN, SECTIONS, GENERAL  
NOTES & TYPICAL DETAILS

REV.	DATE:	DRN	CHK
	08/30/2010	MNS	MNS
			ISSUED FOR BID

STATE PROJECT NO.  
0250-055-17-1000

PROJECT NO. **3321** SHEET NO. **S1.1**