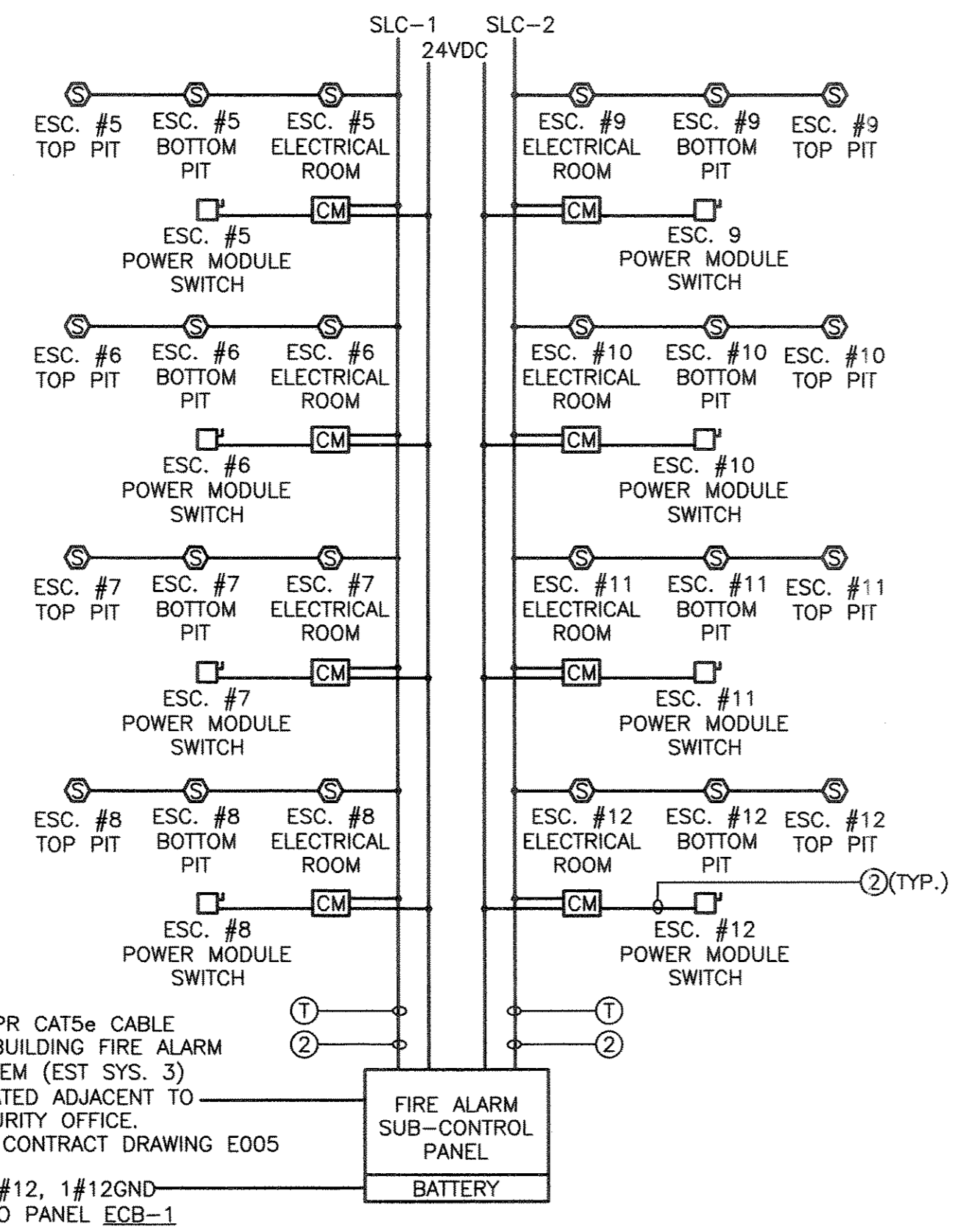


**PORT AUTHORITY**  
**TRANS-HUDSON CORPORATION**

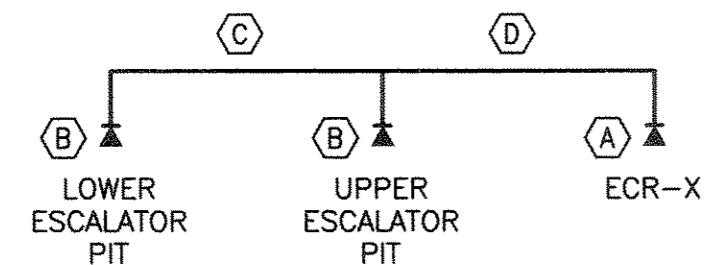
GANNETT FLEMING, P.C.  
 ENGINEERS AND ARCHITECTS

*G. R. Campanella*  
 GEORGE R. CAMPANELLA  
 N.J. Professional Engineer # 24GE04252500



FIRE ALARM CABLE SCHEDULE				
TYPE	SERVICE	CABLE	DESIGN BASE	SEE NOTES
①	SIGNAL LINE CIRCUIT	#18 T.S.P.	WEST PENN #60975B	OR APPROVED EQUAL
②	24VDC	#14 T.P.	WEST PENN #60993B	OR APPROVED EQUAL

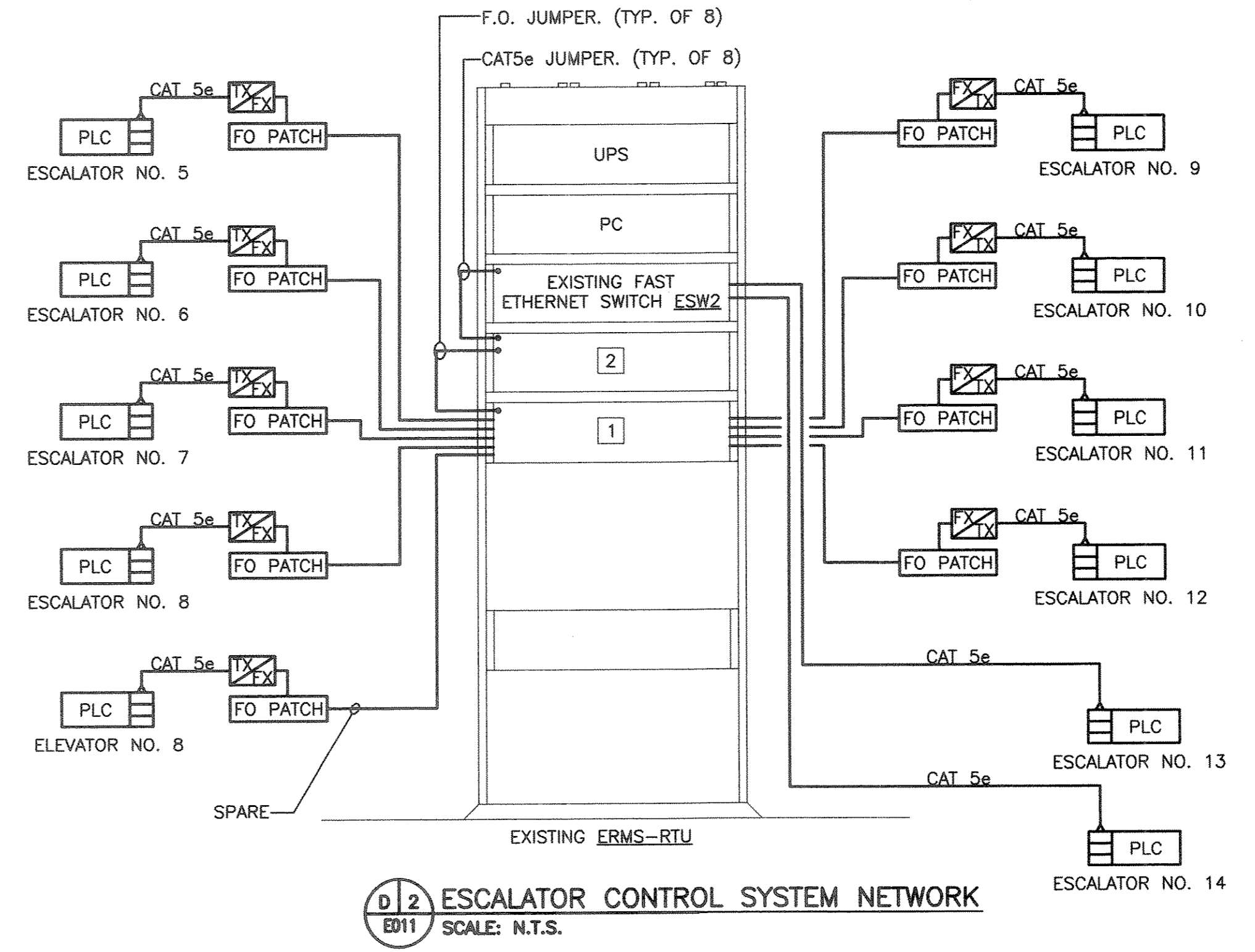
**D 1 FIRE ALARM SUB CONTROL SYSTEM RISER**  
 ED11 SCALE: N.T.S.



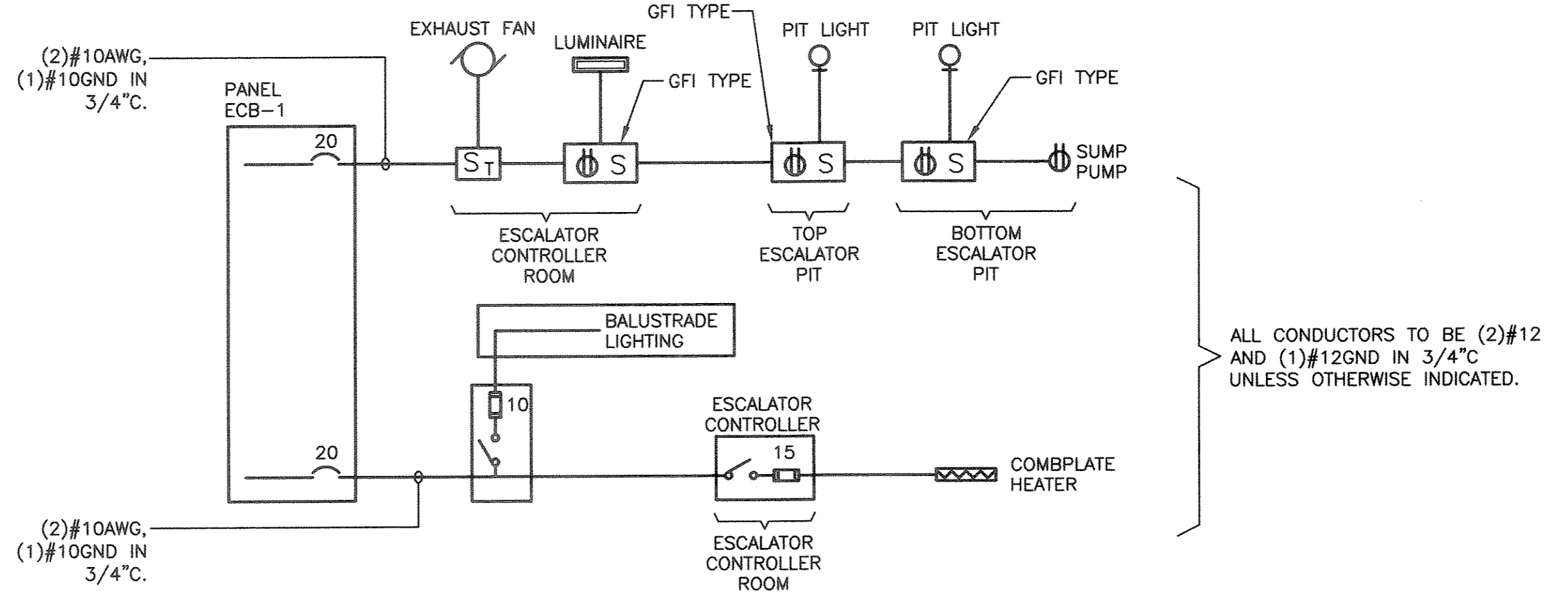
VOICE ACTIVATED PHONE SYSTEM SCHEDULE					
TAG	QTY.	P/N	DESCRIPTION	MANUFACTURER	SEE NOTES
(A)	1CA	SPS-210	WALL MOUNT INTERCOM STATION	SOUND POWERED COMMUNICATIONS	OR APPROVED EQUAL
(B)	2CA	JP-1	ONE GANG BRUSHED STAINLESS WALL PLATE	SOUND POWERED COMMUNICATIONS	OR APPROVED EQUAL
(C)	1CA	JC-100	JUMPER CORD	SOUND POWERED COMMUNICATIONS	OR APPROVED EQUAL
(D)	1CA	JC-100	JUMPER CORD	SOUND POWERED COMMUNICATIONS	OR APPROVED EQUAL

- NOTE:
- TYPICAL FOR 8 ESCALATORS, #5,6,7,8,9,10,11,12
  - AS SPECIFIED OR EQUAL
  - FOR LEGEND, ABBREVIATIONS, AND GENERAL NOTES SEE CONTRACT DRAWING E001.

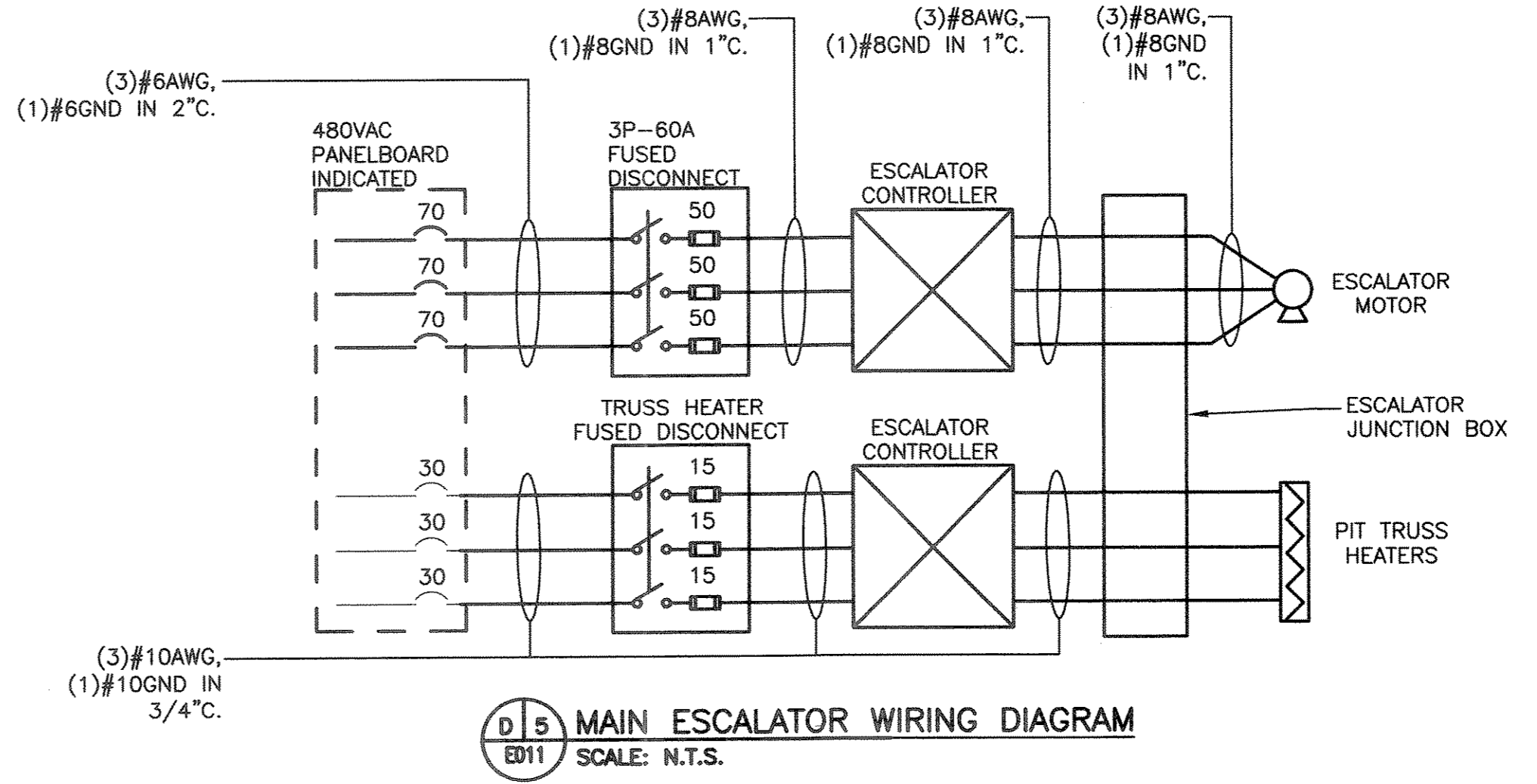
**D 3 STAND ALONE VOICE ACTIVATED PHONE SYSTEM**  
 ED11 SCALE: N.T.S.



**D 2 ESCALATOR CONTROL SYSTEM NETWORK**  
 ED11 SCALE: N.T.S.



**D 4 TYPICAL ESCALATOR AUXILIARY WIRING SCHEMATIC**  
 ED11 SCALE: N.T.S.



**D 5 MAIN ESCALATOR WIRING DIAGRAM**  
 ED11 SCALE: N.T.S.

No.	Date	Revision	Approved
ENGINEERING DEPARTMENT			
JOURNAL SQUARE TRANSPORTATION CENTER			
ELECTRICAL			

Bus Terminal Escalator Replacement

**FIRE ALARM, TELEPHONE, AND ESCALATOR CONTROL RISER DIAGRAMS**

This drawing subject to conditions in contract. All inventions, ideas, designs and methods herein are reserved to Port Authority and may not be used without its written consent.

All recipients of Contract documents, including bidders and those who do not bid and their prospective subcontractors and suppliers who may receive all or a part of the Contract documents or copies thereof, shall make every effort to ensure the secure and appropriate disposal of the Contract documents to prevent further disclosure of the information contained in the documents. Secure and appropriate disposal includes methods of document destruction such as shredding or incineration with refuse handlers that ensure that third persons will not have access to the documents' contents either before, during, or after disposal. Documents may also be returned for disposal purposes to the Contract Desk on the 3rd Floor, 3 Gateway Center, Newark, NJ 07102 or the office of the Director of Procurement, One Madison Avenue, 7th Floor, New York, NY 10017.

T. GILLEN      A. CONCHADO      G. CAMPANELLA  
 Designed by      Drawn by      Checked by

Date: 11/17/2008

Contract Number: PAT-214.004

Drawing Number: E011

PID# 07957000