



**PORT AUTHORITY  
TRANS-HUDSON CORPORATION**

GANNETT FLEMING, P.C.  
ENGINEERS AND ARCHITECTS

*John D. Purdy*  
JOHN D. PURDY  
N.J. Professional Engineer # 246GE03967100

No.	Date	Revision	Approved

ENGINEERING DEPARTMENT

**JOURNAL  
SQUARE  
TRANSPORTATION  
CENTER**

STRUCTURAL

Title  
**BUS TERMINAL  
ESCALATOR REPLACEMENT**

**BUS LEVEL SECTIONS  
AND DETAILS - III**

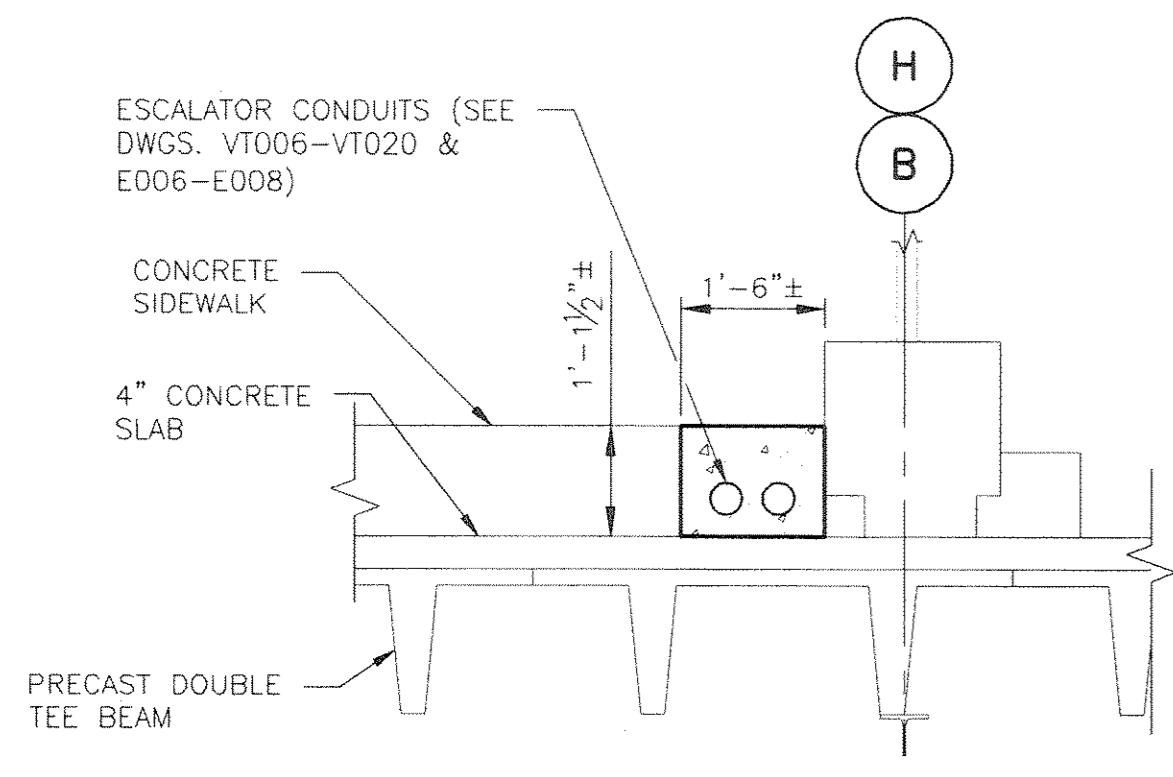
This drawing subject to conditions in contract. All inventions, ideas, designs and methods herein are reserved to Port Authority and may not be used without its written consent.  
All recipients of Contract documents, including bidders and those who do not bid and their prospective subcontractors and suppliers who may receive all or a part of the Contract documents or copies thereof, shall make every effort to ensure the secure and appropriate disposal of the Contract documents to prevent further disclosure of the information contained in the documents. Secure and appropriate disposal includes methods of document destruction such as shredding or arrangements with reliable handlers that ensure that third persons will not have access to the documents' contents either before, during, or after disposal. Documents may also be returned for disposal purposes to the Contract Desk on the 3rd Floor, 3 Gateway Center, Newark, NJ 07102 or the Office of the Director of Procurement, One Madison Avenue, 7th Floor, New York, NY 10010.

Designed by **J. Villa**    Drawn by **J. Villa**    Checked by **R. Acoury**

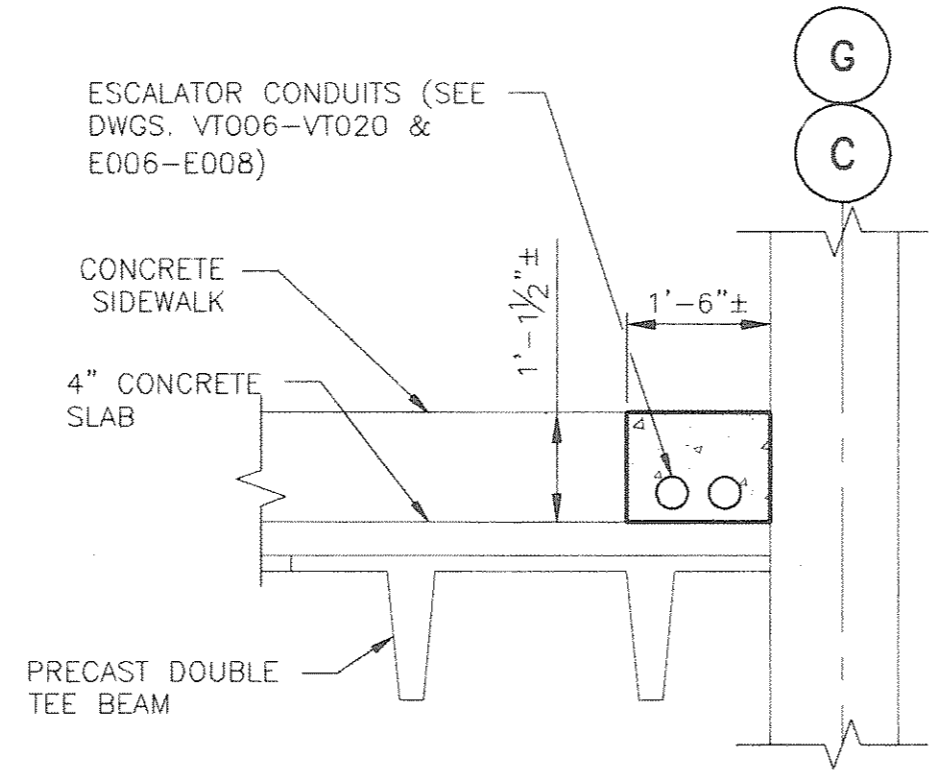
Date **11/17/2008**

Contract Number **PAT-214.004**

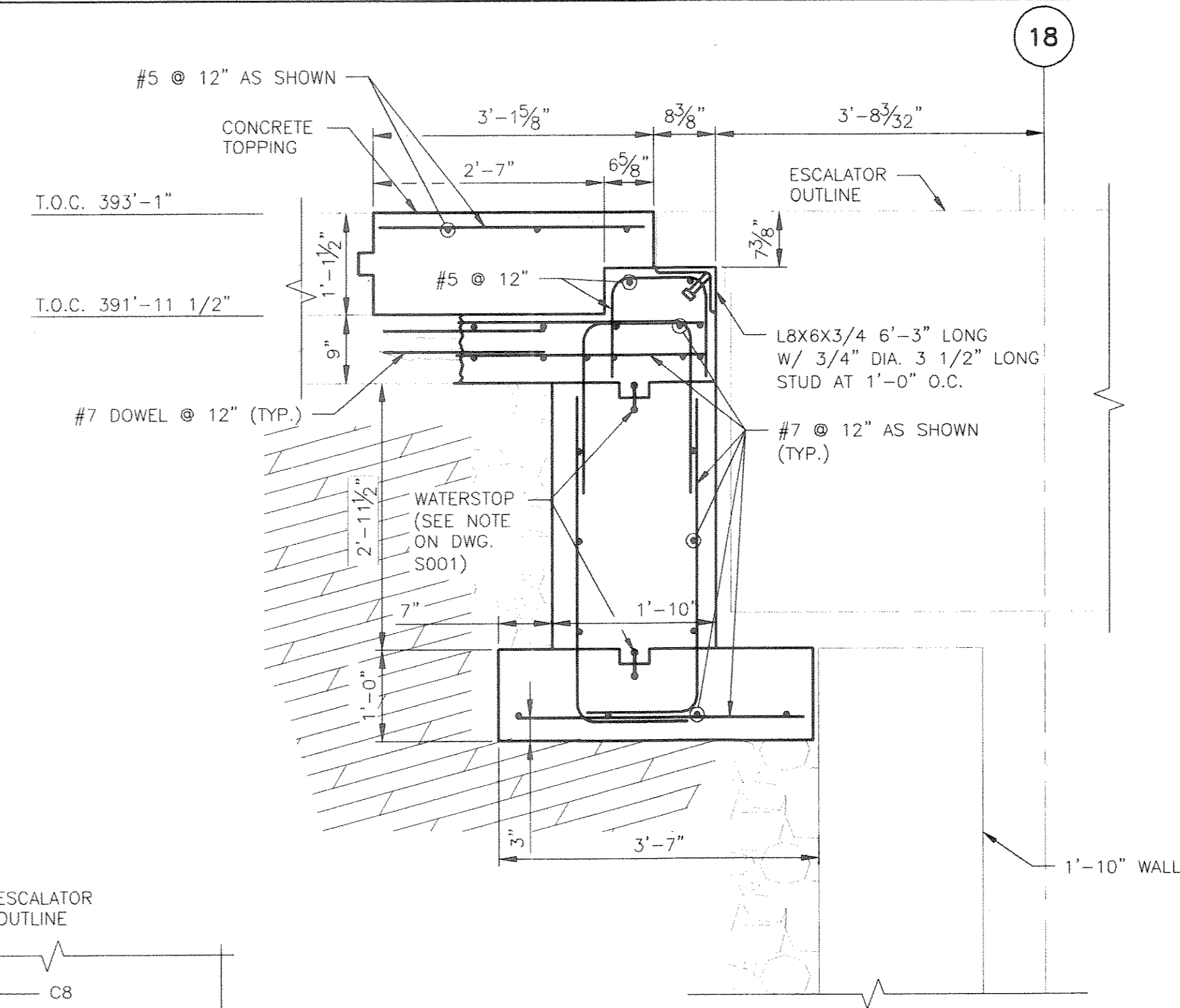
Drawing Number **S017**  
PID# 07957000



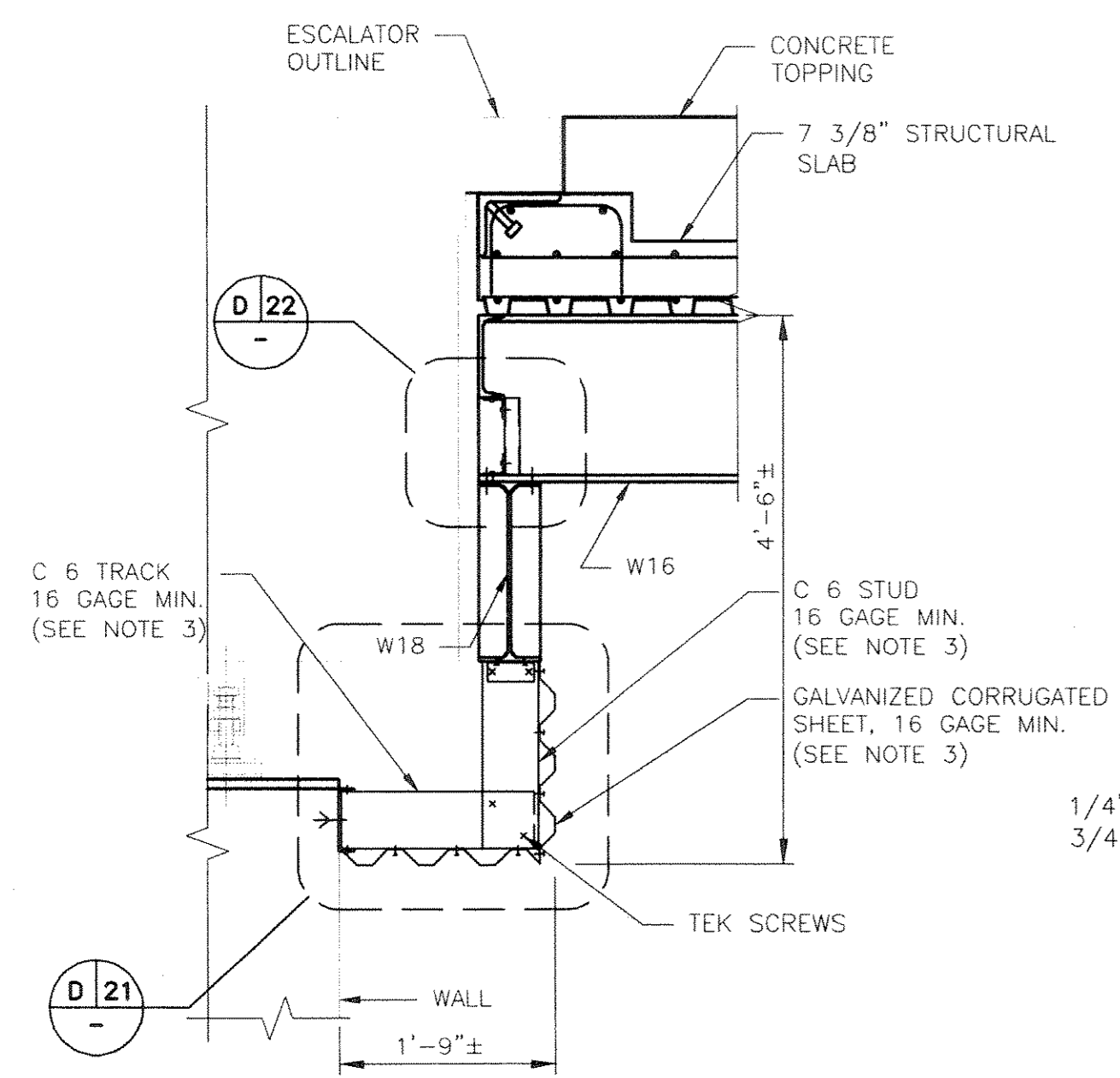
**S 140  
S005** SECTION: CONDUIT TRENCH  
SCALE IN FEET



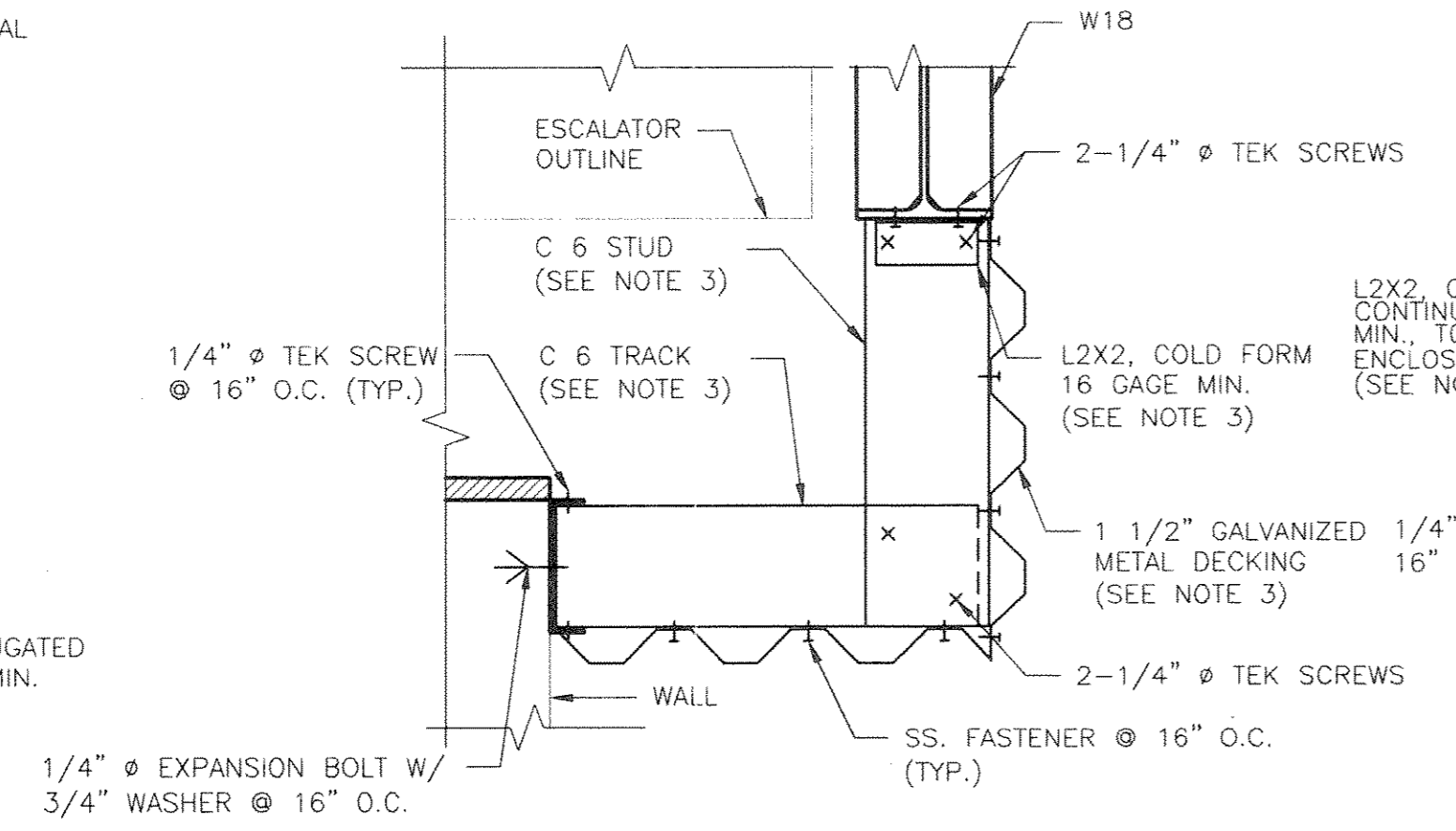
**S 41  
S005** SECTION: CONDUIT TRENCH  
SCALE IN FEET



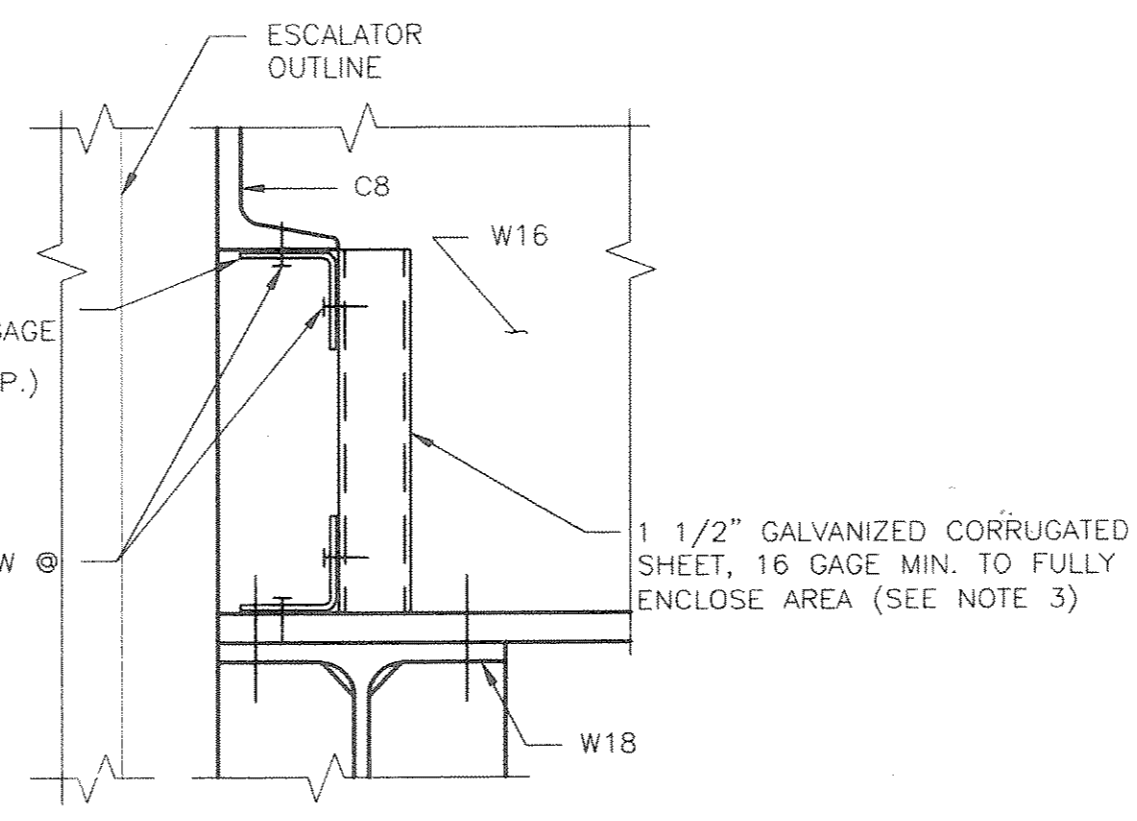
**S 42  
S016** SECTION: BUS LEVEL  
SCALE IN FEET



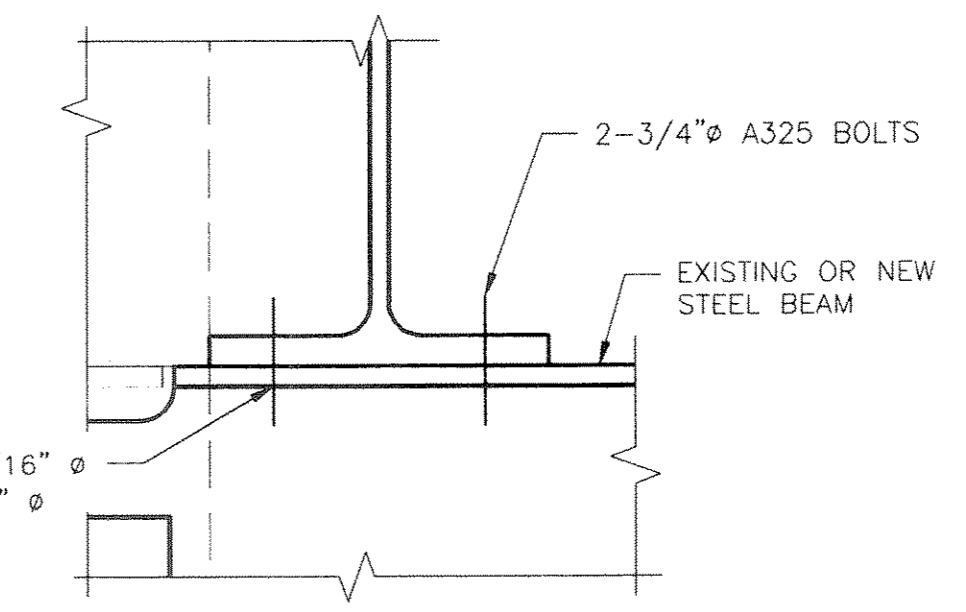
**D 20** DETAIL: PIT ENCLOSURE  
SCALE IN FEET



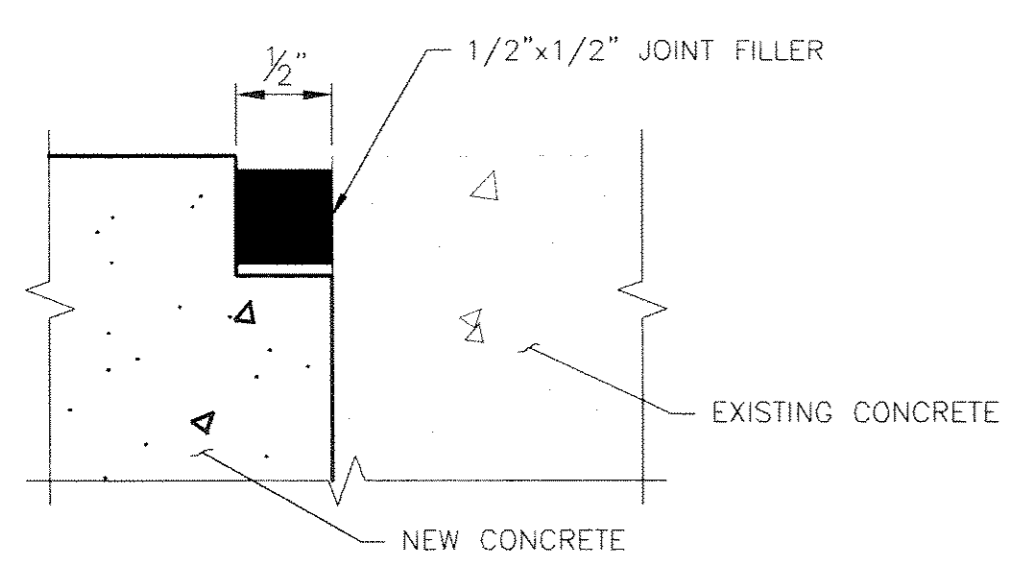
**D 21** DETAIL: PIT ENCLOSURE  
SCALE IN FEET



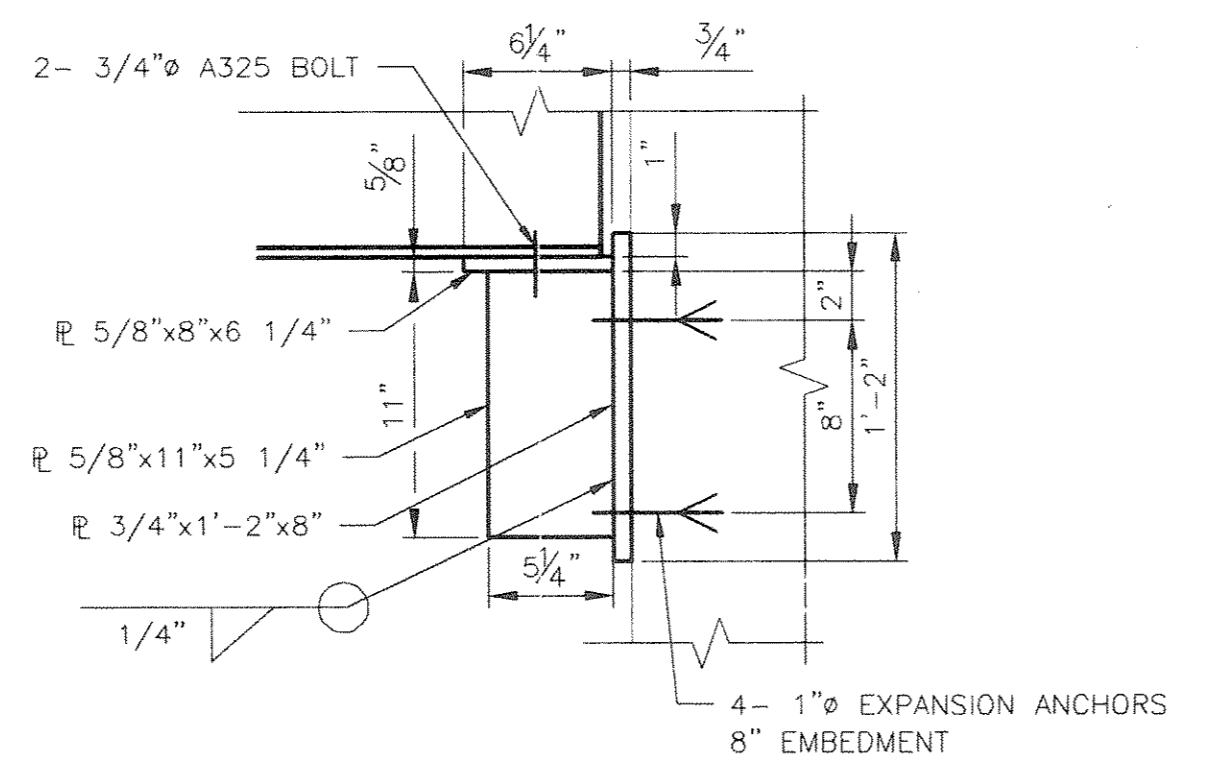
**D 22** DETAIL: PIT ENCLOSURE  
SCALE IN FEET



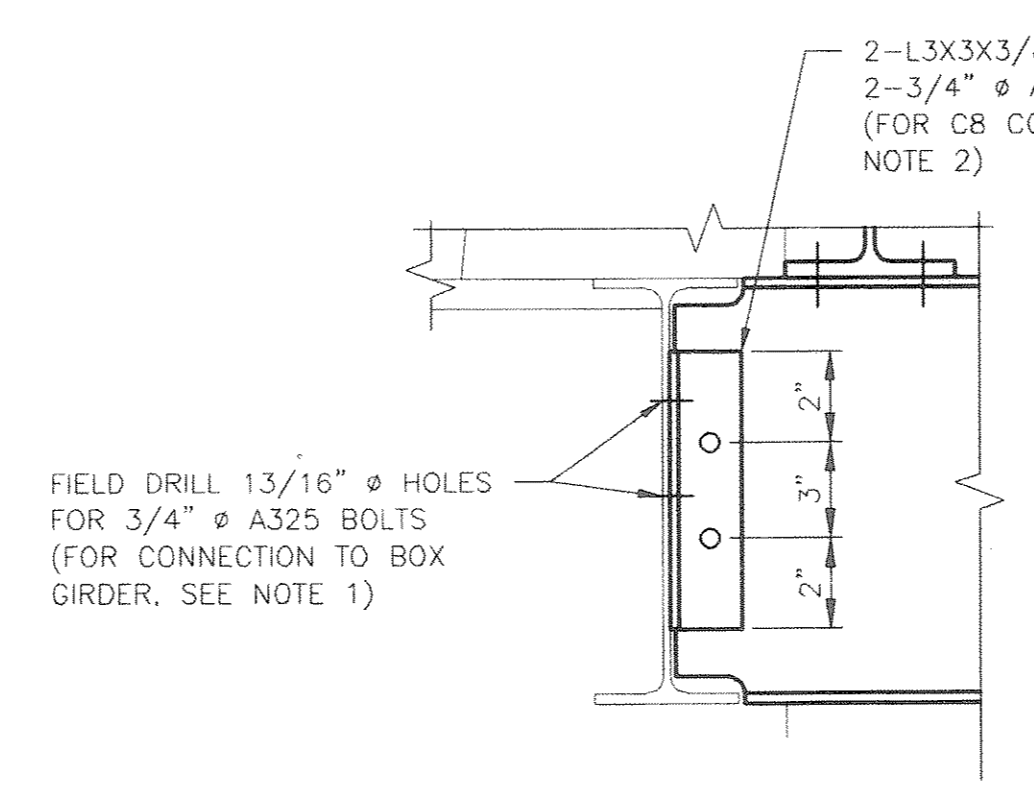
**D 26** TYPICAL SEATED CONNECTION  
SCALE IN FEET



**D 24** TYPICAL JOINT DETAIL  
SCALE IN INCHES



**D 23  
S015** DETAIL  
SCALE IN FEET



**D 25** TYPICAL C8 CONNECTION  
SCALE IN FEET

**NOTES**

- 5/16" FILLET FIELD WELD ALONG FULL LENGTH OF ANGLE TOES W/ 5/8" LONG WELD RETURNS @ TOP AND BOTTOM.
- 2L 3"x3"x3/8", 5 1/2" LONG W/ 2-3/4" A325 BOLTS @ 3" SPACING W/ 1 1/4" MIN. EDGE DISTANCE.
- PROVIDE 2 HOUR FIREPROOFING ON ALL STEEL SURFACES INCLUDING CORRUGATED SHEETS AND COLD FORMED FRAMING.