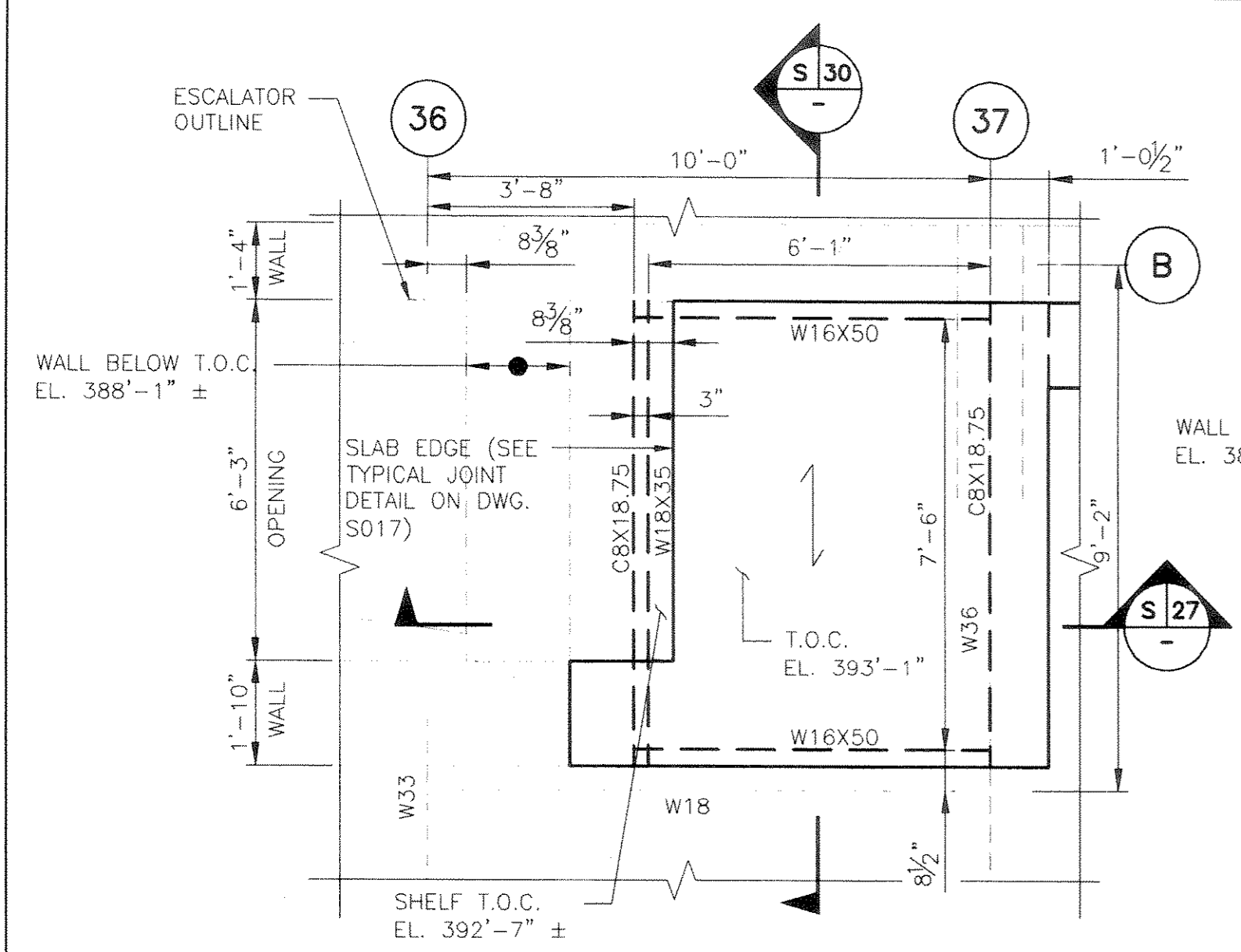


PORT AUTHORITY
TRANS-HUDSON CORPORATION

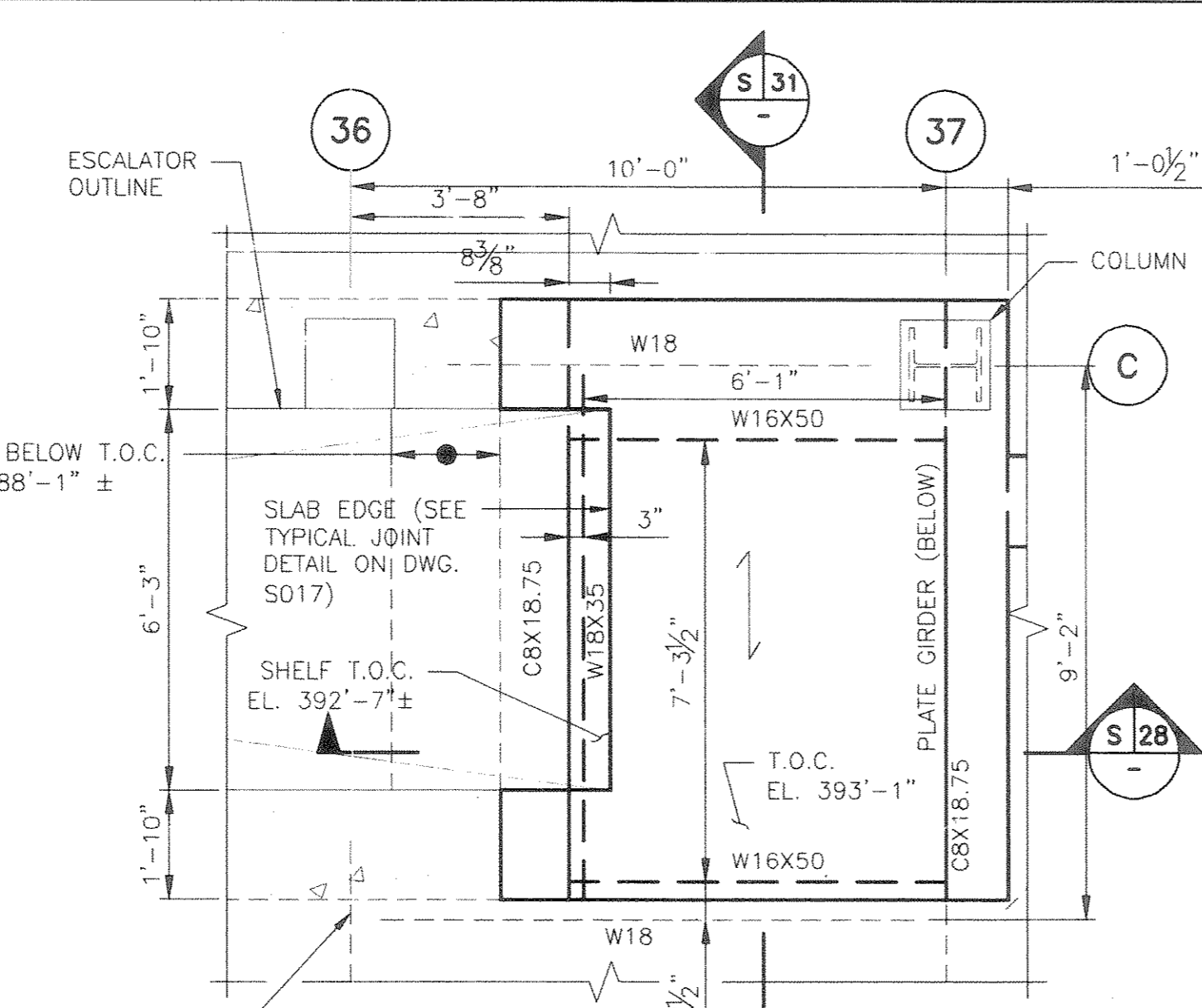
GANNETT FLEMING, P.C.
ENGINEERS AND ARCHITECTS

John D. Purdy
JOHN D. PURDY
N.J. Professional Engineer # 246GE03967100

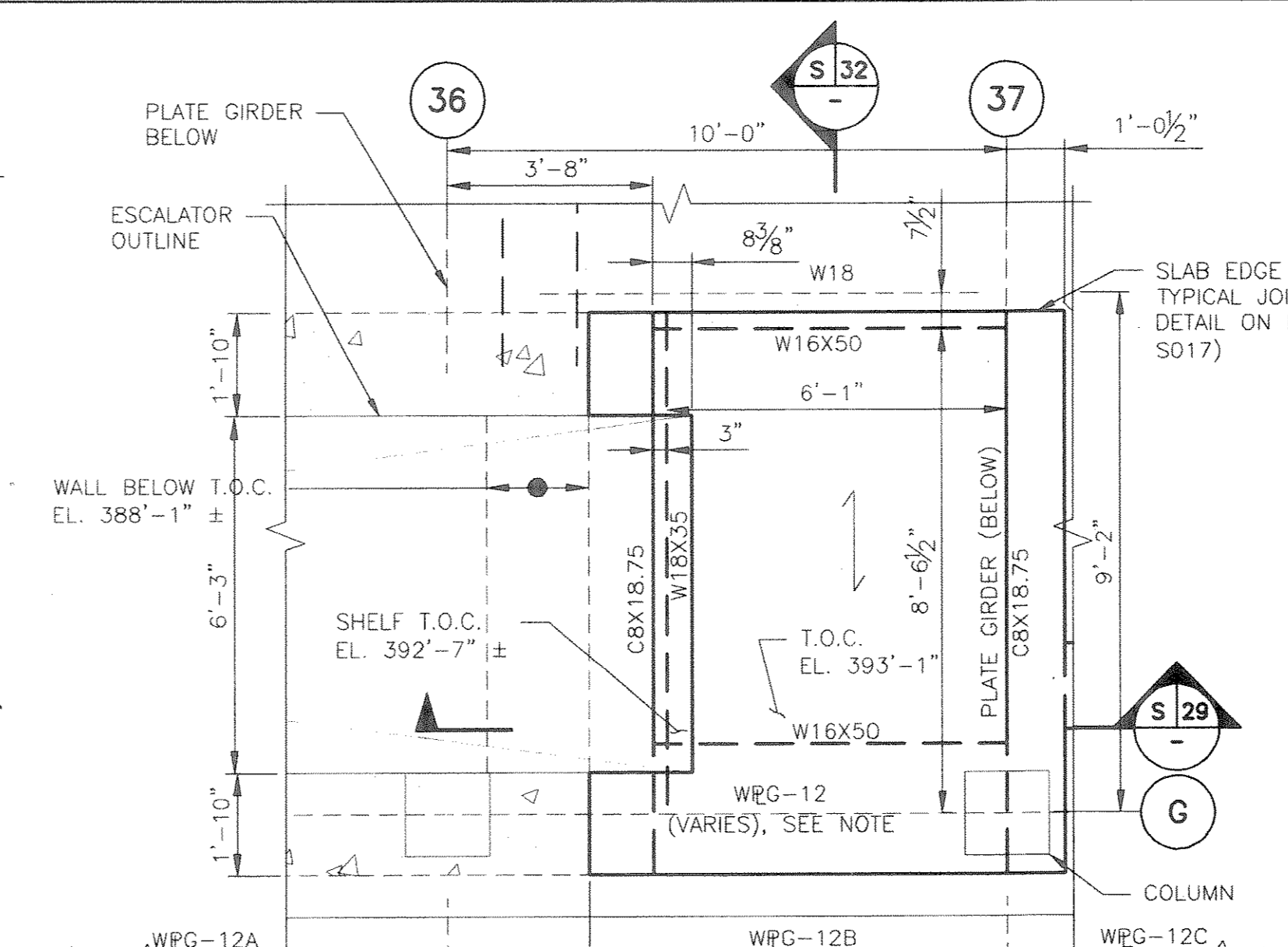
NOTE
1. FOR PLATE GIRDER DIMENSIONS, SEE DWG. S001.



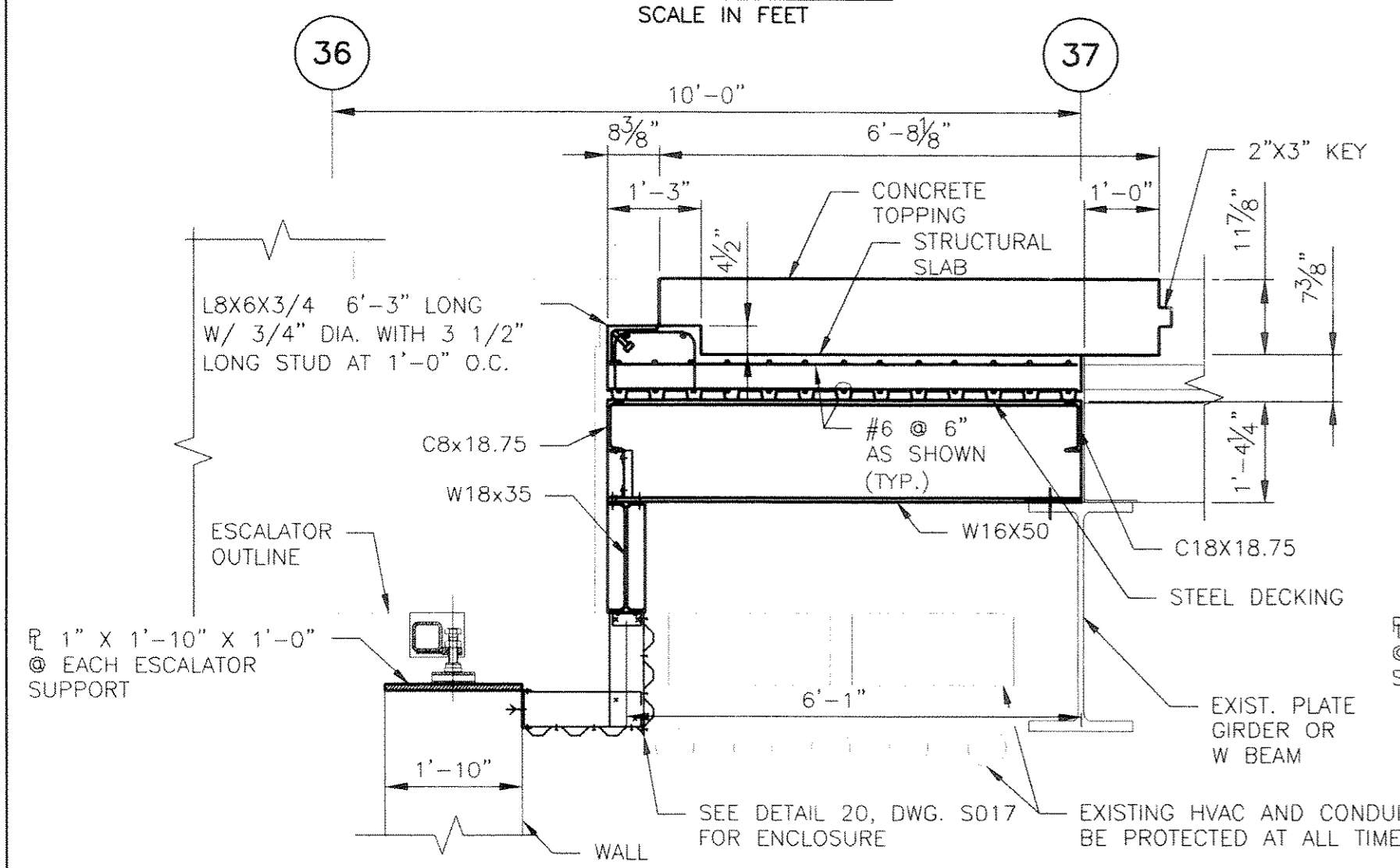
D 14 DETAIL: BUS LEVEL
SCALE IN FEET



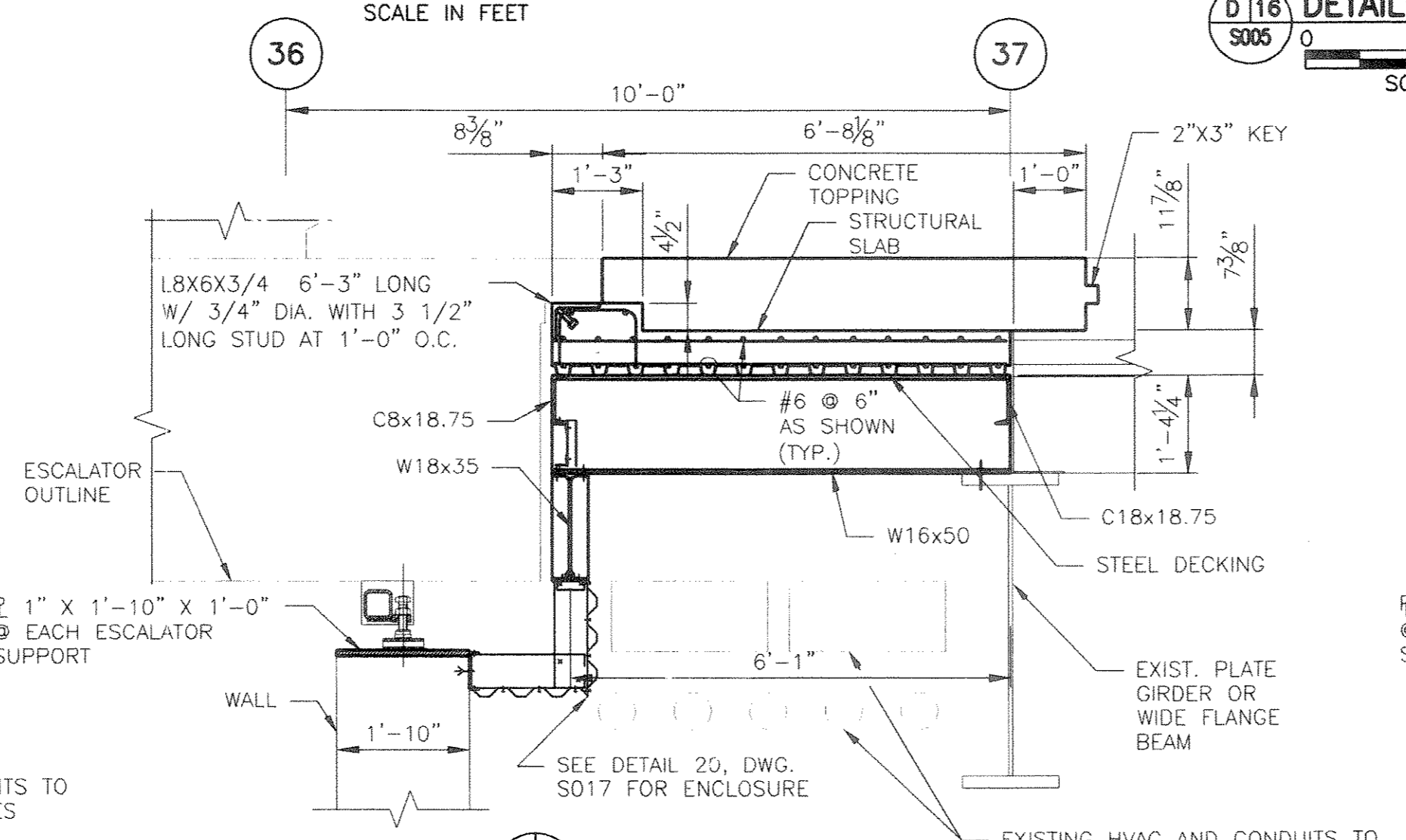
D 15 DETAIL: BUS LEVEL
SCALE IN FEET



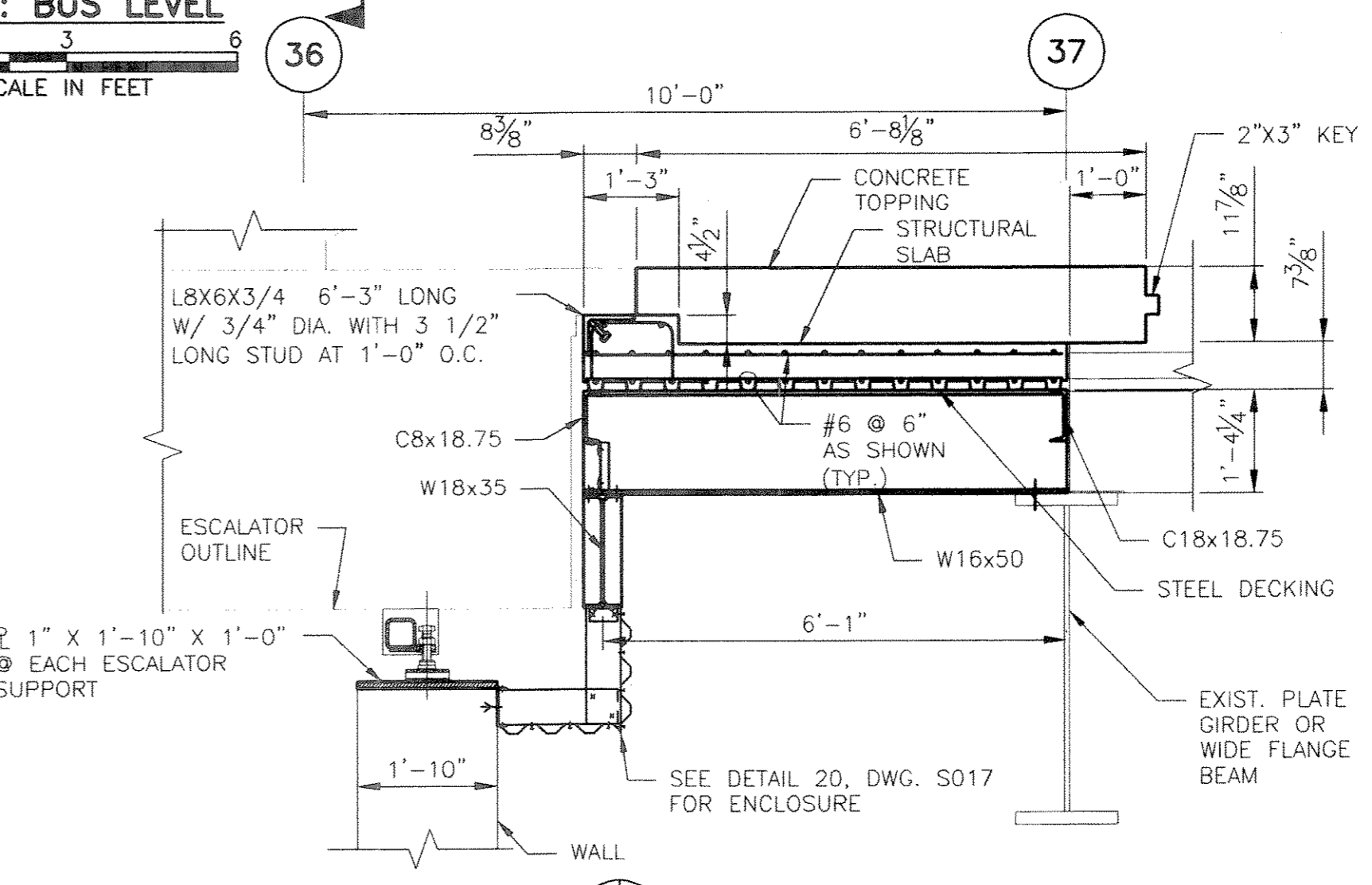
D 16 DETAIL: BUS LEVEL
SCALE IN FEET



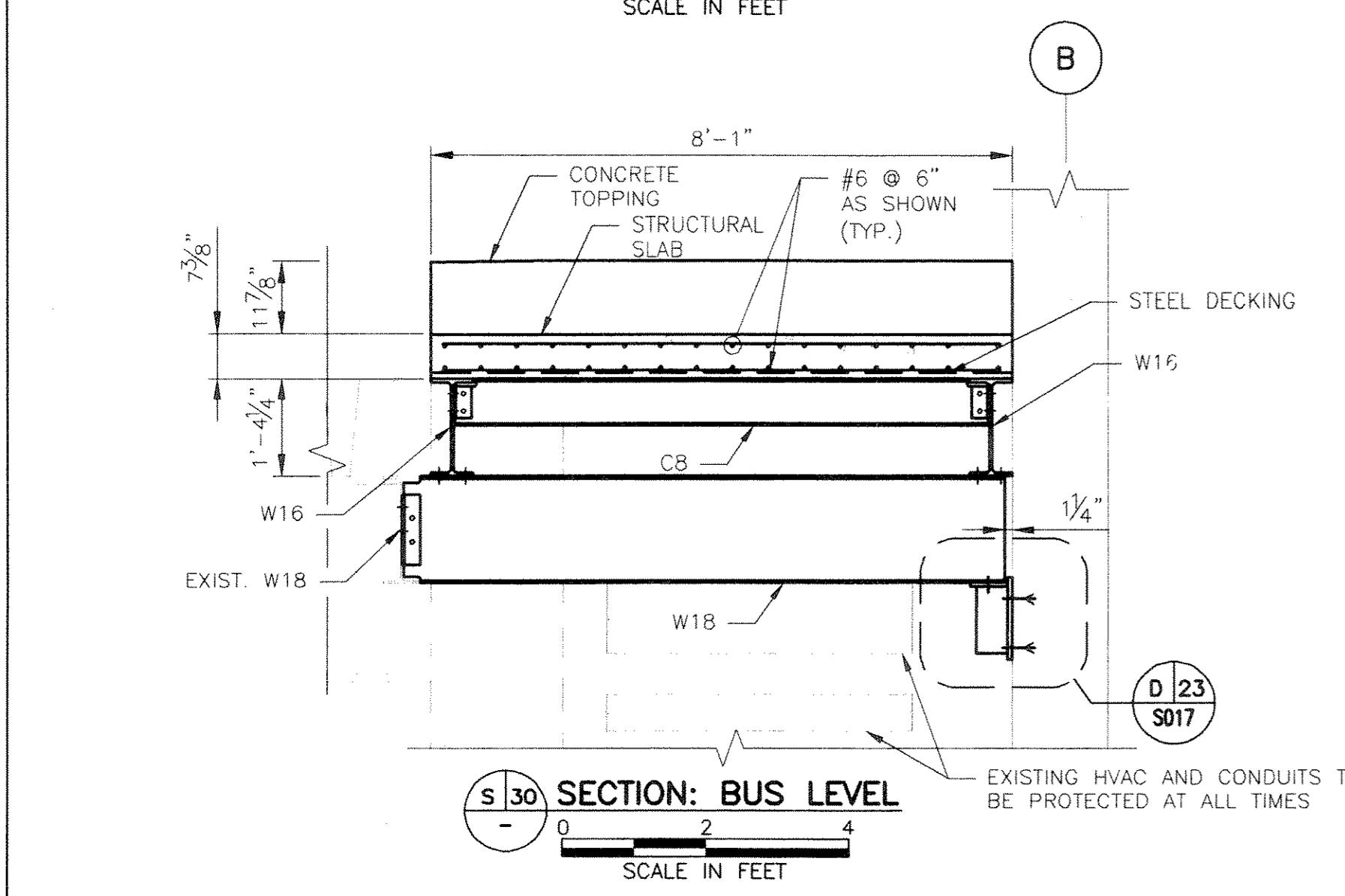
S 27 SECTION: BUS LEVEL
SCALE IN FEET



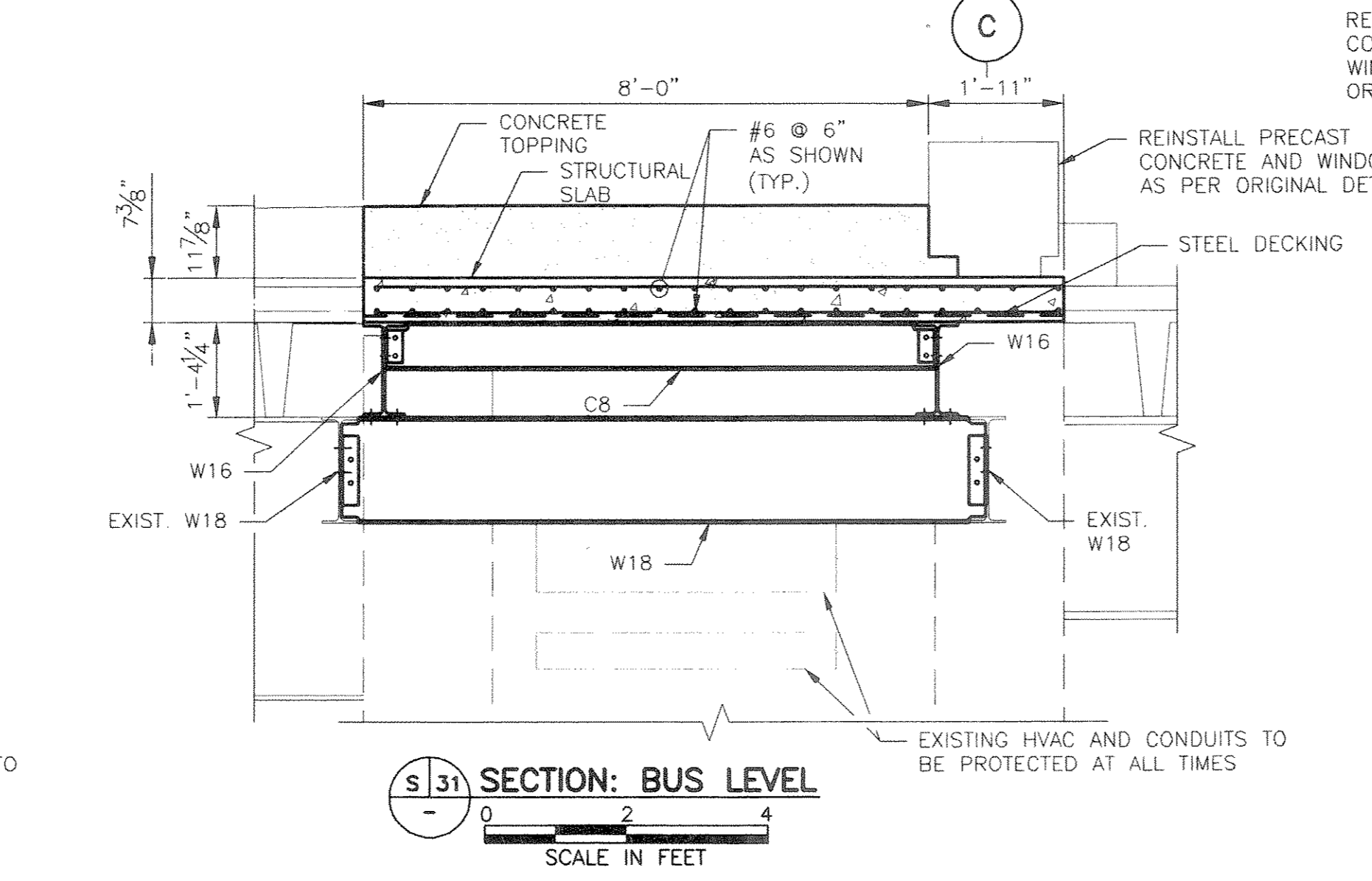
S 28 SECTION: BUS LEVEL
SCALE IN FEET



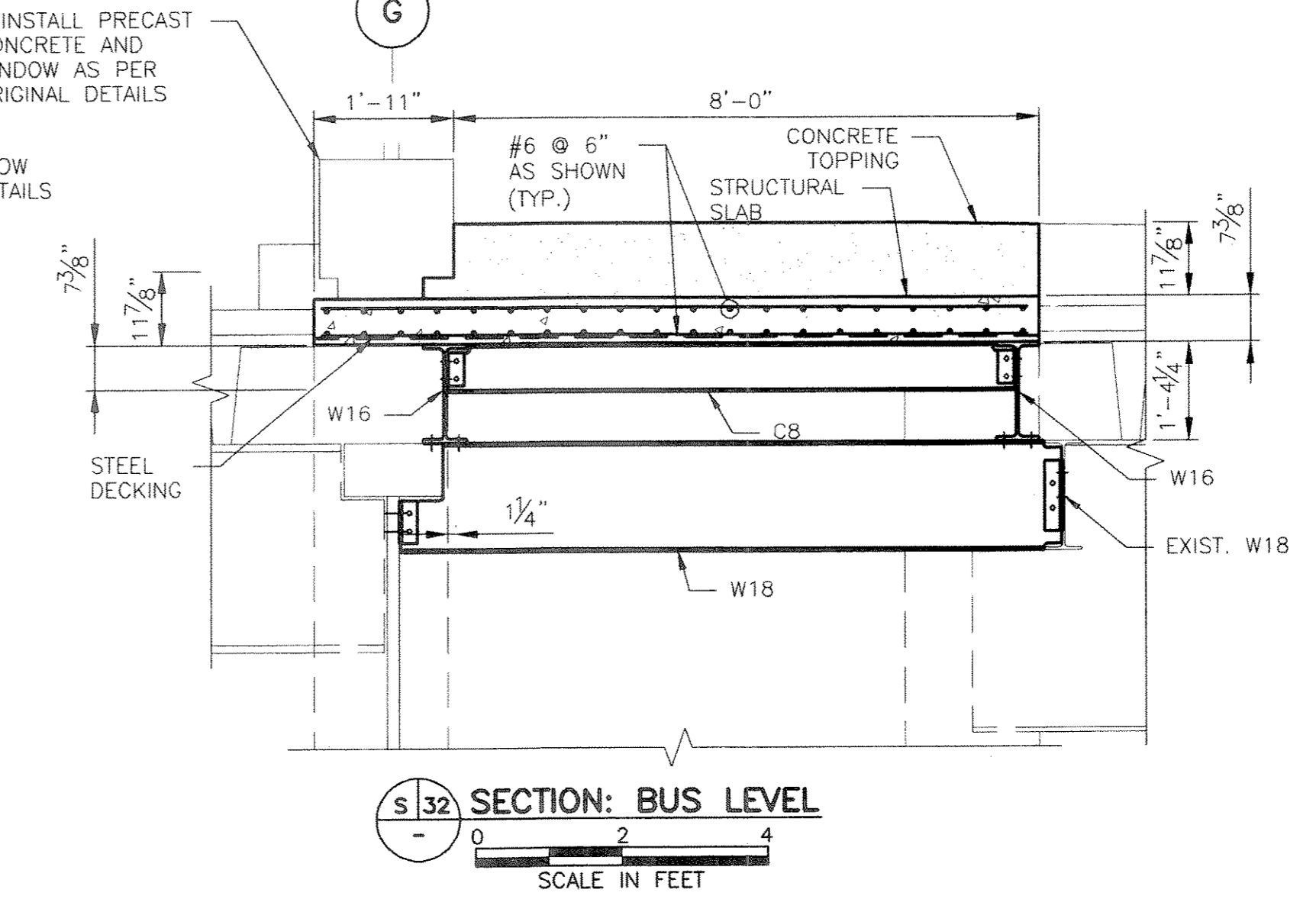
S 29 SECTION: BUS LEVEL
SCALE IN FEET



S 30 SECTION: BUS LEVEL
SCALE IN FEET



S 31 SECTION: BUS LEVEL
SCALE IN FEET



S 32 SECTION: BUS LEVEL
SCALE IN FEET

No.	Date	Revision	Approved

ENGINEERING DEPARTMENT
JOURNAL SQUARE TRANSPORTATION CENTER

STRUCTURAL

Title
BUS TERMINAL ESCALATOR REPLACEMENT

BUS LEVEL SECTIONS AND DETAILS - I

This drawing subject to conditions in contract. All inventions, ideas, designs and methods herein are reserved to Port Authority and may not be used without its written consent.
All recipients of Contract documents, including bidders and those who do not bid and their prospective subcontractors and suppliers who may receive all or a part of the Contract documents or copies thereof, shall make every effort to ensure the secure and appropriate disposal of the Contract documents to prevent further disclosure of the information contained in the documents. Secure and appropriate disposal includes methods of document destruction such as shredding or other arrangements with refuse handlers that ensure that third persons will not have access to the documents' contents either before, during, or after disposal. Documents may also be returned for disposal purposes to the Contract Desk on the 3rd Floor, 3 Gateway Center, Newark, NJ 07102 or the office of the Director of Procurement, One Madison Avenue, 7th Floor, New York, NY 10010.

J. Villa J. Villa R. Accury
Designed by Drawn by Checked by
Date 11/17/2008

Contract Number **PAT-214.004**

Drawing Number **S015**
PID# 07957000